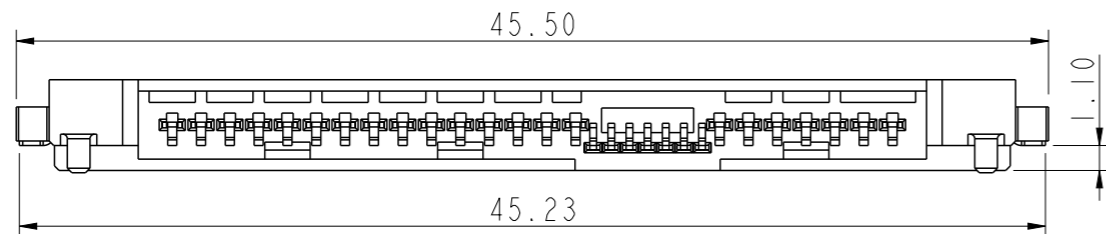
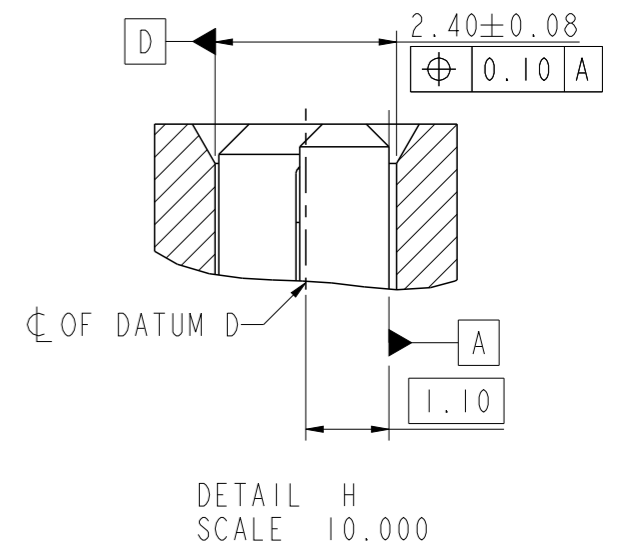
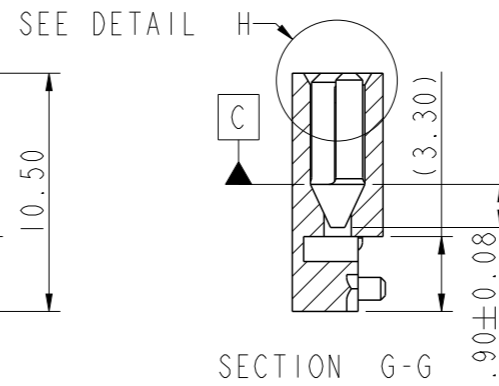
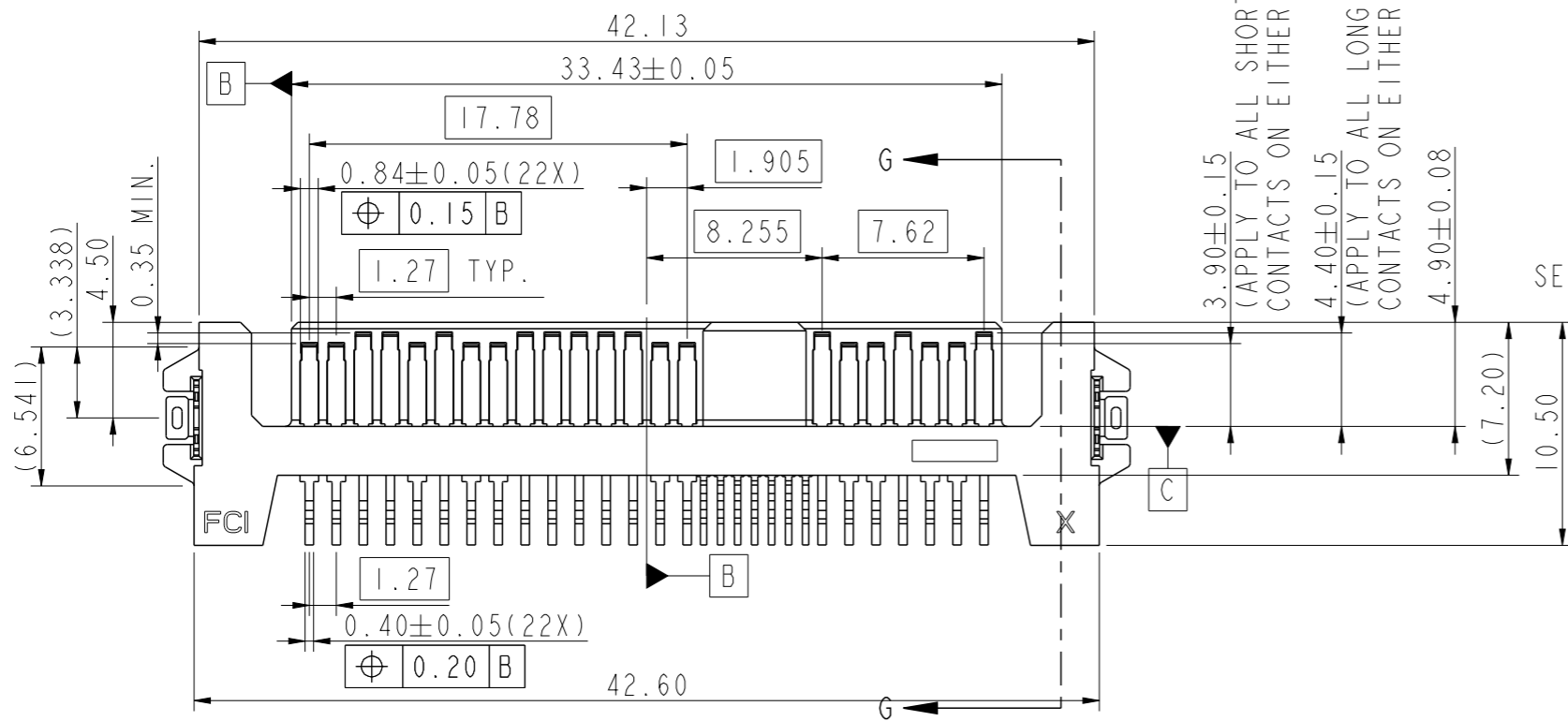
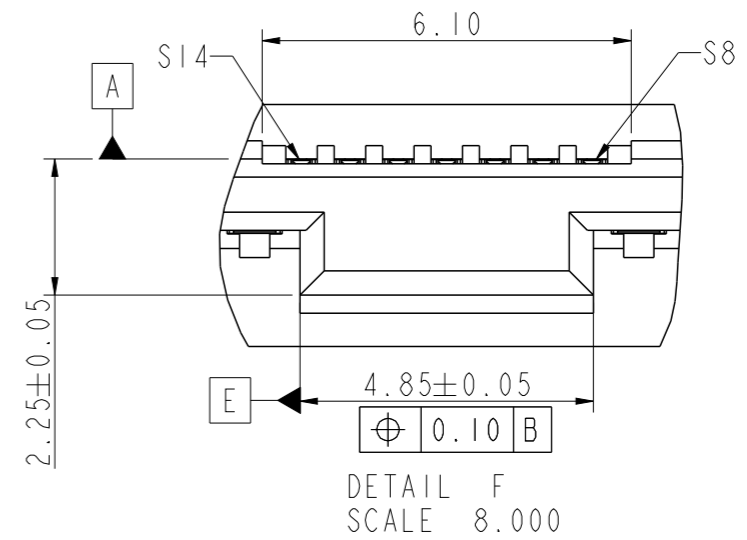
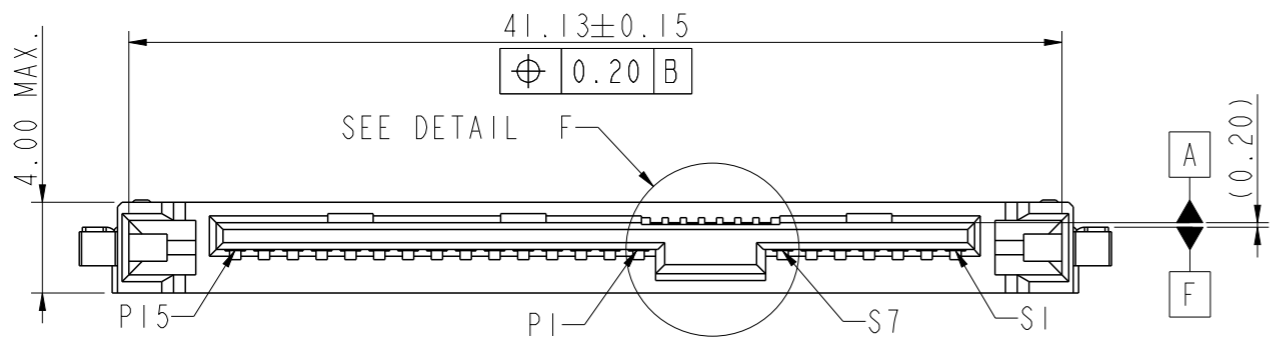


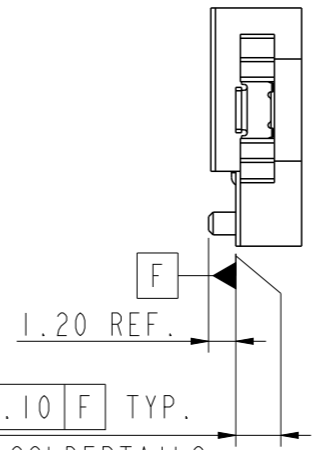
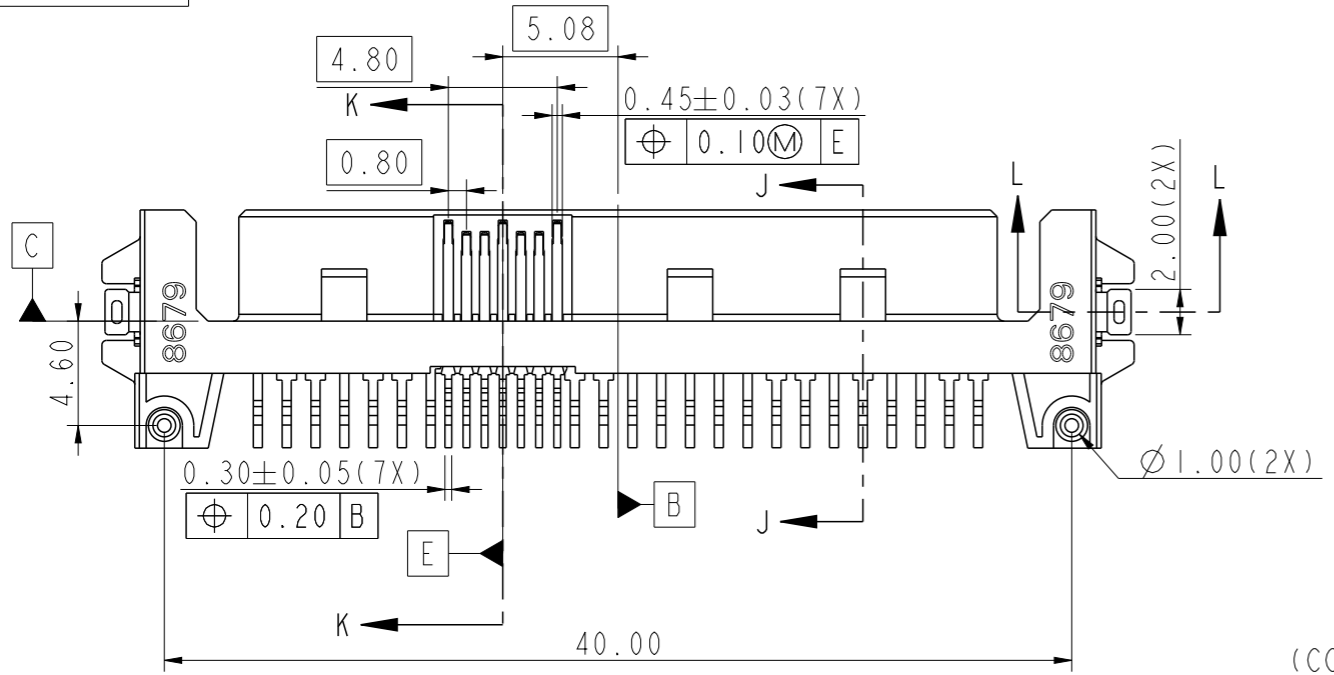
PRODUCT NO.  
 10098678-001LF  
 10098678-001TRLF  
 10098678-002C-TRLF



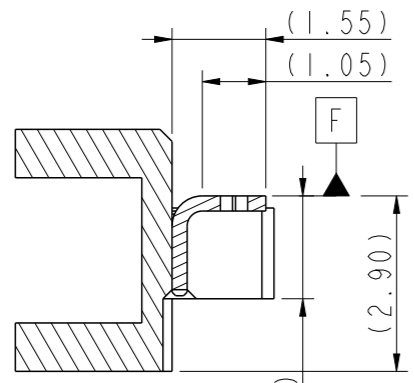
spec ref	dr	wcadmin	2010/04/26	projection	MM	size	A3	scale	3.000
tolerance std	eng	Jeffrey Lim	2014/05/20			ecn no	ELX-S-14794-1		
ASME Y14.5	chr	-	-			rel level	Released		
surface <input checked="" type="checkbox"/> linear 0.X       ± 0.XX     ±0.20 0.XXX   ± angular     0°       ±2°	appr	Chen-Hong Tan	2014/05/20	product family	dwg no		10098678		rev
			title SAS PLUG R/A TYPE ASSY		Product - Customer Drw		sheet 1 of 3		D
	www.fci.com		cat. no.		PDS: Rev :D		STATUS:Released		Printed: May 20, 2014



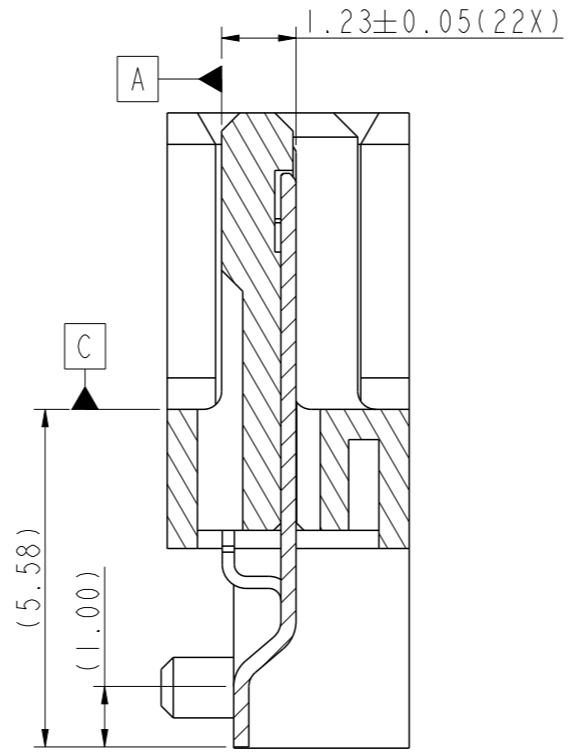
PRODUCT NO.  
SEE TABLE



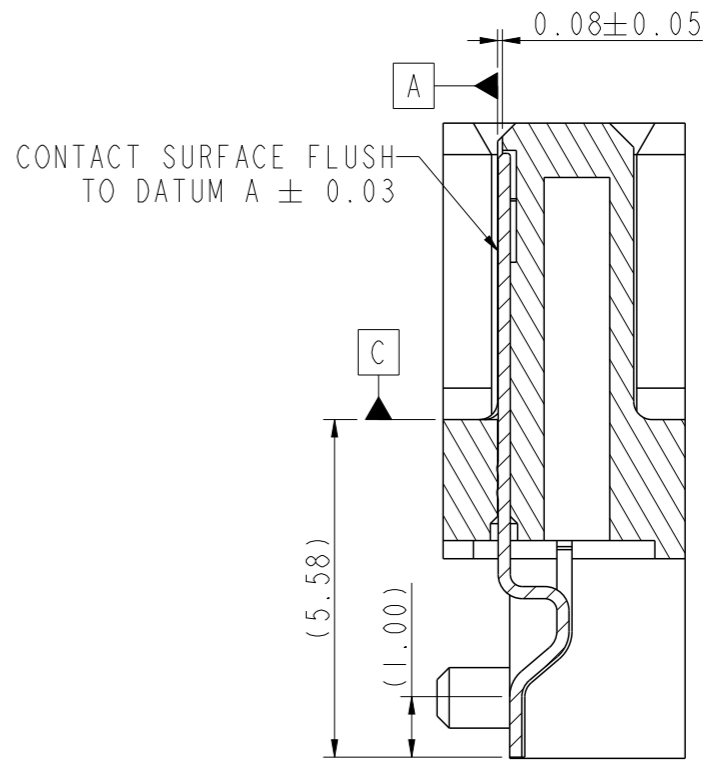
(CO-PLANARITY OF SOLDER TAILS AND HOLD-DOWN PLATE)



SECTION L-L  
SCALE 8.000



SECTION J-J  
SCALE 8.000



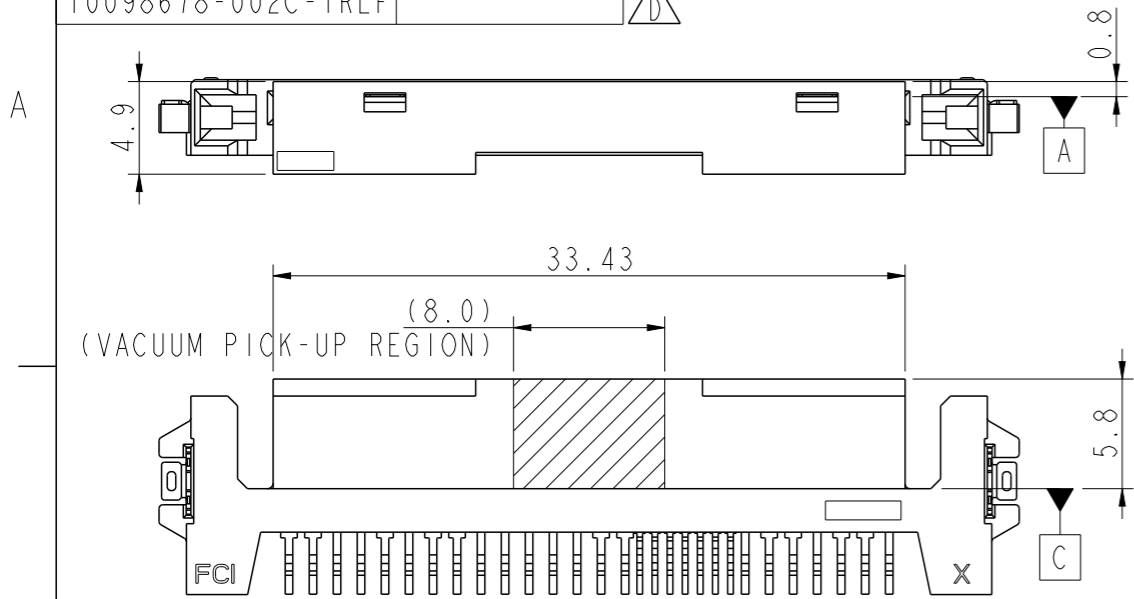
SECTION K-K  
SCALE 8.000



Copyright FCI.

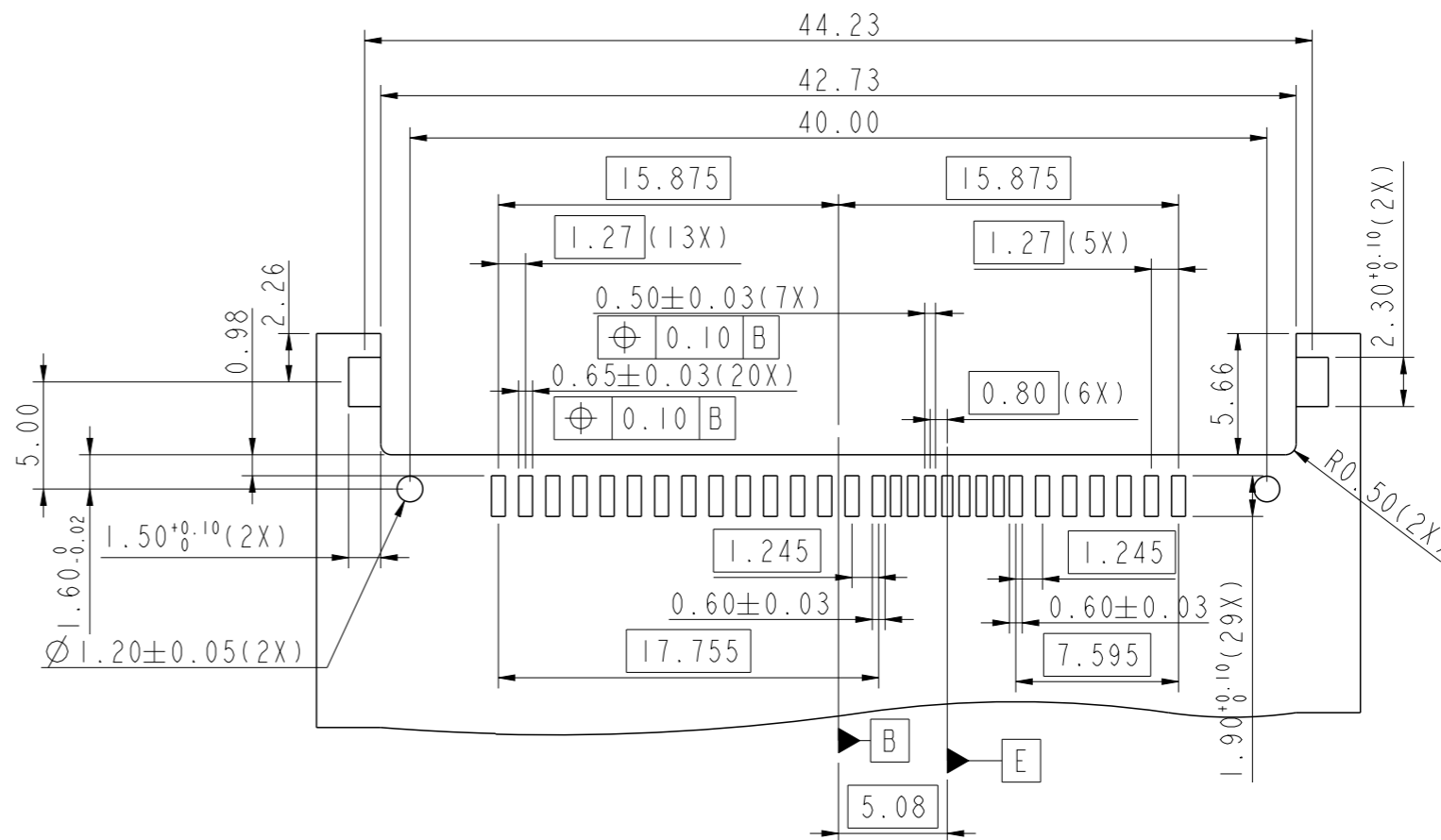
spec ref	dr	wcadmin	2010/04/26	projection	MM	size	A3	scale	3.000
tolerance std	eng	Jeffrey Lim	2014/05/20			ecn no	ELX-S-14794-1	rel level	Released
ASME Y14.5	chr	-	-						
surface	linear	0.X	±		SAS PLUG R/A TYPE ASSY	dwg no	10098678	rev	D
		0.XX	±0.20						
		0.XXX	±						
	angular	0°	±2°	www.fci.com	cat. no.	Product - Customer Drw	sheet 2 of 3		

PRODUCT NO.	PACKAGING
10098678-001LF	TRAY
10098678-001TRLF	TAPE & REEL
10098678-002C-TRLF	



SCALE 2.500

10098678-002C-TRLF WITH PICK-UP CAP ATTACHED



SCALE 3.000

RECOMMENDED SMT PAD DIMENSIONS

NOTES:

- MATERIAL:  
HOUSING & CAP: HIGH TEMPERATURE THERMOPLASTIC, BLACK, UL94V-0  
CONTACT & HOLD DOWN: COPPER ALLOY
- FINISH:  
CONTACT: 1.27um MIN. NICKEL UNDERPLATE OVERALL,  
1.91um MIN. 100% MATTE TIN(LEAD-FREE) ON SOLDER TAIL,  
0.38um MIN. GOLD ON CONTACT AREA  
HOLD DOWN: 1.91um MIN. 100% MATTE TIN(LEAD-FREE) OVER  
1.27um MIN. NICKEL UNDERPLATE OVERALL
- RECOMMENDED PCB THICKNESS: 1.40mm
- THIS PRODUCT MEETS EUROPEAN UNION DIRECTIVES AND OTHER COUNTRY REGULATIONS AS DESCRIBED IN GS-47-0004
- THE HOUSING WILL WITHSTAND EXPOSURE TO 260°C PEAK TEMPERATURE FOR 10 SECONDS IN A CONVECTION, INFRA-RED OR VAPOR PHASE REFLOW OVEN
- THIS CONNECTOR IS COMPLY WITH SFF-8482 SPECIFICATION
- THIS CONNECTOR IS COMPLY WITH CUSTOMER GENERAL SPECIFICATION FOR THE ENVIRONMENT(GSE)
- THE PLATING OF THIS CONNECTOR IS COMPLY WITH CUSTOMER TESTING AND PLATING SPECIFICATION EL-MF864-00
- A SYMBOL WILL BE NEXT TO ANY DIMENSION, VIEW OR NOTE WHICH HAS BEEN MODIFIED WITH THE CURRENT DRAWING REVISION

spec ref	dr	wcadmin	2010/04/26	projection	MM	size	A3	scale	3.000
tolerance std	eng	Jeffrey Lim	2014/05/20		← →	ecn no	ELX-S-14794-1	rel level	Released
ASME Y14.5	chr	-	-						
surface	linear	0.X	±		title	SAS PLUG R/A	dwg no	10098678	rev
		0.XX	±0.20						
		0.XXX	±						
	angular	0°	±2°	www.fci.com	cat. no.	Product - Customer Drw	sheet 3 of 3		



Copyright FCI.