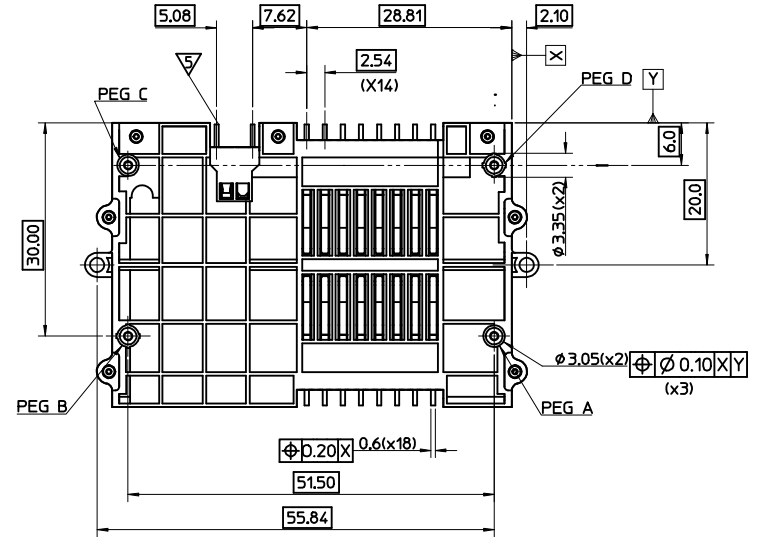
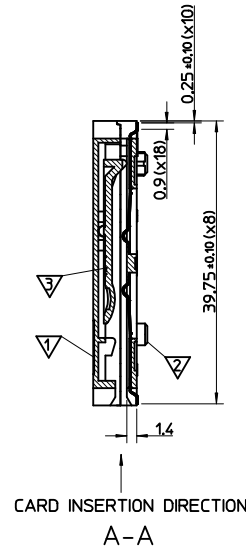
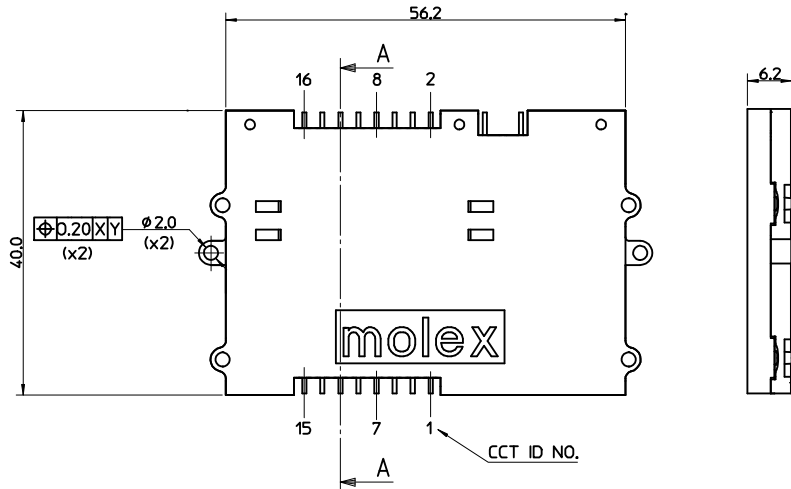
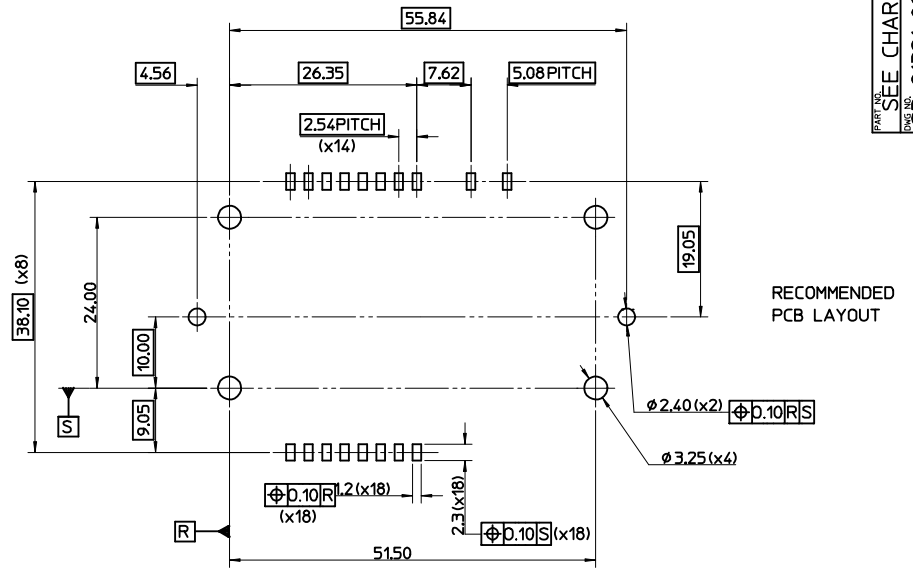


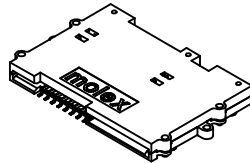
ITEM	COMPONENT	QTY	MATERIAL
▽	UPPER HOUSING	1	30% G.F LCP, COLOUR NATURAL
▽	LOWER HOUSING	1	30% G.F LCP, COLOUR NATURAL
▽	LAND MECHANISM	1	30% G.F. LCP, COLOUR NATURAL
▽	SIGNAL TERMINAL	SEE CHART	0.20 REF. THK. PHOSPHOR BRONZE
▽	SWITCH CONTACT	1	GOLD OVER PALLADIUM NICKEL ON CONTACT AREA TIN IN SOLDER AREA, NICKEL UNDERCOAT ALLOY

PART NO.	CCT SIZE	WITH PEGS	HOLD DOWN FEATURES	PART NO.	CCT SIZE	WITH PEGS	HOLD DOWN FEATURES
91321-0002	8	A,B,C,D	YES	91321-0001	16	A,B,C,D	YES
91321-0017	8	A,B,C,D	NO	91321-0031	16	A,B,C,D	NO
91321-0005	8	A,C	YES	91321-0019	16	A,C	YES
91321-0006	8	A,C	NO	91321-0020	16	A,C	NO
91321-0007	8	B,D	YES	91321-0021	16	B,D	YES
91321-0008	8	B,D	NO	91321-0022	16	B,D	NO
91321-0009	8	NONE	YES	91321-0023	16	NONE	YES
91321-0010	8	NONE	NO	91321-0024	16	NONE	NO

PART NO. SEE CHART SD-91321-003



- NOTES:
 1. SEE PRODUCT SPECIFICATION PS-91321-005
 2. PACKAGING: TRAYS
 3. DATUM Z TO BE THE ZERO LINE FOR THE MEASUREMENT OF COPLANARITY, IT IS TO BE TAKEN AS THE PLANE OF A METAL BLOCK ON WHICH THE CONNECTOR RESTS FREELY. ALL SOLDER TAILS TO LIE WITHIN 0.10mm OF THIS PLANE.



LEAD-FREE CONVERSION EC NO. DRW:PS/SHEAHAN 08/11/2004 CHK: APPR: REV B	QUALITY SYMBOLS MAJOR CRITICAL	GENERAL TOLERANCES: (UNLESS SPECIFIED) 4 PLACES ±--- ±--- 3 PLACES ±--- ±--- 2 PLACES ±0.05 ±--- 1 PLACE ±0.10 ±--- ANGULAR: ± 1/2°	SCALE 2:1 DESIGN UNITS <input checked="" type="checkbox"/> MM <input type="checkbox"/> INCH	DRAWN BY & DATE MKEANE 2005/03/20 CHECKED BY & DATE BWA/GH/RE 2005/03/20 APPROVED BY & DATE BWA/GH/RE 2005/03/20	DIMENSIONS: <input type="checkbox"/> MM <input type="checkbox"/> INCH <input checked="" type="checkbox"/> MM ONLY SHT REV REVISE ON CAD ONLY	
		TITLE: LANDED SMART CARD CONNECTOR (SMT VERSION) MOLEX INCORPORATED				
		CAD FILENAME SD-91321-003		MATERIAL NO. DRAWING NO. SEE CHART SD-91321-003		SHEET NO. 1 of 1 SIZE C
		DRAFT WHERE APPLICABLE MUST REMAIN WITHIN DIMENSIONS THIS DRAWING CONTAINS INFORMATION THAT IS PROPRIETARY TO MOLEX INCORPORATED AND SHOULD NOT BE USED WITHOUT WRITTEN PERMISSION.				