

# TPA6130A2EVM

This user's guide describes the function, installation, and operation of the TPA6130A2EVM. Also included are the schematic diagrams, printed-circuit board (PCB) layouts, and the bill of materials (BOM).

### Contents

1	Introduction .....	1
2	Operation .....	2
3	TPA6130A2EVM Schematic .....	7
4	TPA6130A2EVM PCB Layers.....	8
5	TPA6130A2EVM Parts List .....	10

### List of Figures

1	Place Shunts Horizontally Across SCL and SDA.....	2
2	Shunts Across JP1 Powered From USB .....	2
3	Shunts Across JP1 Powered With an External Power Supply.....	3
4	Starting the Software .....	4
5	Software Interface .....	5
6	Connect I <sup>2</sup> C Controls to JP3.....	6
7	Shunts Across JP1 Powered With an External Power Supply.....	6
8	TPA6130A2EVM Schematic .....	7
9	TPA6130A2EVM – Top Layer.....	8
10	TPA6130A2EVM – Layer 2 .....	8
11	TPA6130A2EVM – Layer 3.....	9
12	TPA6130A2EVM – Bottom Layer.....	9

### List of Tables

1	TPA6130A2EVM Parts List .....	10
---	-------------------------------	----

## 1 Introduction

### 1.1 Description

The TPA6130A2 is a stereo, capacitor-free headphone driver with I<sup>2</sup>C digital volume control. The TPA6130A2 has minimal quiescent current consumption, a flexible, 64-step, audio tapered volume control and channel independent enables and mutes.

### 1.2 TPA6130A2EVM Specifications

VDD	Supply voltage range	–0.3 V to 5.5 V
IDD	Supply current	0.5 A Maximum
PO	Continuous output power per channel, 16 Ω, VDD = 5 V, THD + N = 1%	138 mW
RL	Minimum load impedance	16 Ω

Microsoft, Windows are registered trademarks of Microsoft Corporation.

## 2 Operation

The TPA6130A2EVM can be evaluated in a stand-alone mode or when connected to existing circuits with I<sup>2</sup>C controls.

### 2.1 Quick Start List for Stand-Alone Operation

A desktop or laptop with Microsoft® Windows® 7 installed is required in the stand-alone operation. Connect the EVM to a computer with a USB cable, not supplied with the EVM. A jumper allows the TPA6130A2 to receive power from either the USB or an external supply via banana plugs. The inputs accept standard RCA plugs. The output connection accepts standard 3.5-mm headphone plugs.

#### 2.1.1 Software Installation Sequence

Install the TPA6130A2 EVM software with the following steps:

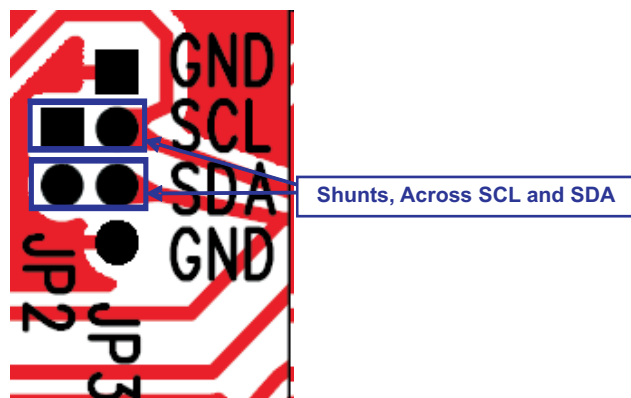
1. Download the software from the TPA6130A2 EVM webpage (<http://www.ti.com/tool/tpa6130a2evm>)
2. Unzip the files to a temporary folder.
3. Install TPA6130A2 software by executing setup.exe, located in *TPA6130A2 Interface\Volume*.

Accept license agreement and defaults, and complete the installation. Note: you can uninstall later with *Add/Remove Programs*. **It is unnecessary to repeat the steps in section 2.1.1, once the software is installed.**

#### 2.1.2 Evaluation Module Preparations

Prepare the EVM with the following steps:

1. Install a shunt in jumper JP4; this sets the EEPROM in the EVM to the nonprogrammable mode.
2. Install shunts in jumpers JP5 and JP6. When single-ended audio inputs are used; this ties LINN and RINN to ground.
3. Install shunts in JP2 and JP3 as [Figure 1](#) illustrates. This sets the TPA6130A2 to accept I<sup>2</sup>C inputs from the EVM itself.



**Figure 1. Place Shunts Horizontally Across SCL and SDA**

4. TPA6130A2 can be powered either from the USB or with an external power supply.
  - (a) To power TPA6130A2 from the USB, place shunt in JP1 as shown in [Figure 2](#).



**Figure 2. Shunts Across JP1 Powered From USB**

(b) To power TPA6130A2 from external power sources, place a shunt in JP1 as Figure 3 illustrates.



**Figure 3. Shunts Across JP1 Powered With an External Power Supply**

Ensure that all external power sources are set to OFF.

Connect an external regulated power supply adjusted from 2.5 V–6 V to the module VDD (**J8**) and GND (**J7**) banana jacks, taking care to observe marked polarity.

5. Connect audio source to J4 and J3.
6. Connect headphones to J2.
7. If this is the first time you plug in a TPA6130A2EVM after installing the software, follow this set of Windows dialog, questions, and selections:
  - Can Windows connect to Windows Update to search for software?  
No, not at this time → Click *Next*
  - What do you want the wizard to do?  
Install from a list or specific location (Advanced) → Click *Next*
  - Search the best drivers in these locations  
Un-check *Search removable media*  
Check *Include this location in the search:* → Click *Browse*  
Browse to the software install path (default: C:\Program Files\Texas Instruments Inc\TPA6130A2 Interface)  
→ Click *OK*  
→ Click *Next*  
→ Click *Finish*
8. Proceed through installation. **It is not necessary to repeat steps 8 to 11, once the driver is installed.**

### 2.1.3 Computer Connection Issues

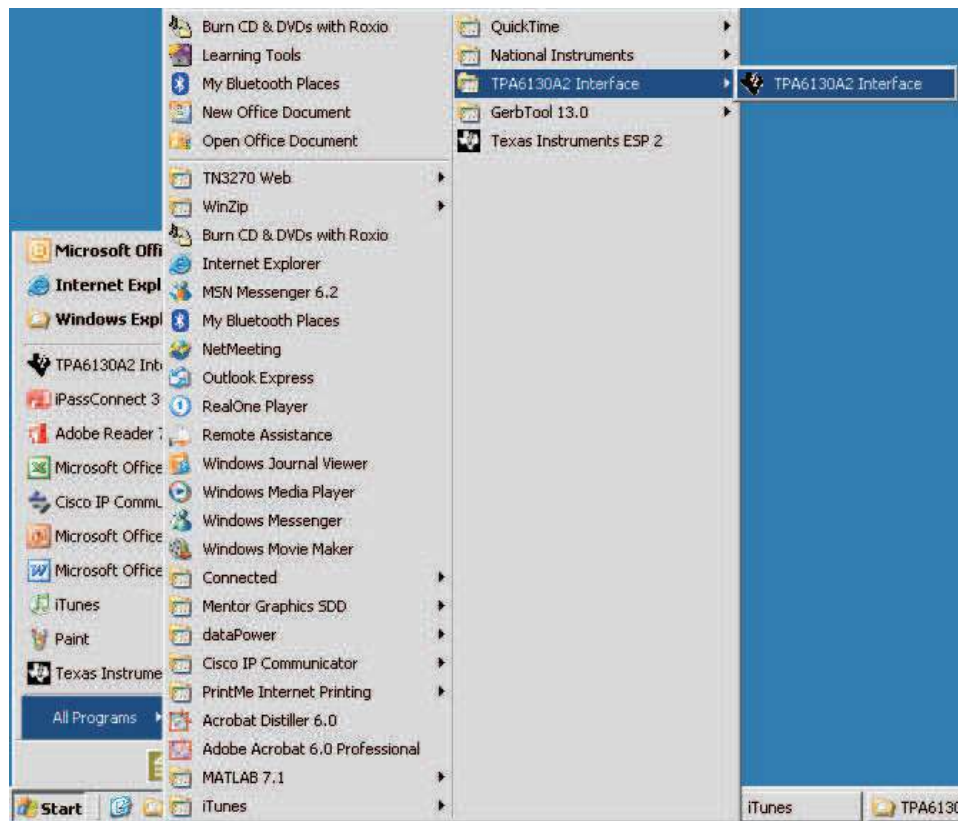
Use the following steps if there are connection issues after connecting the EVM USB to the host computer:

1. Download the USB firmware from the TPA6130A2 EVM webpage (<http://www.ti.com/tool/tpa6130a2evm>).
2. Unzip the *USBfirmware\_V0304* folder and save to a known location.
3. Open *Device Manager* from the *Control Panel* and find the unrecognized hardware.
4. Right click on the device and open *Properties*.
5. Under the *Driver* tab click the *Update Driver* button.
6. Browse to the *USBfirmware\_V0304* folder and open *dfu\_driver*.
7. If the device is still unrecognized, disconnect the EVM from the computer, remove the JP4 jumper from the EVM board, and reconnect to the host computer.
8. In *Device Manager* under *Universal Serial Bus Controllers*, this component should now display as *DFUUSB*.
9. Navigate back to the *USBfirmware\_V0304* folder and run *DFUTEST.exe*.
10. In the DFUTEST window, click on the *Program EVM* button.
11. The program now opens a browser that should be navigating within the *image* folder inside the *USBfirmware\_V0304* folder.
12. Click on *DFUEE.bin* once.
13. A screen should open stating, “Set EEPROM’s I2C Address to 1010000b”. Now insert JP4 jumper and click *OK*.
14. After a few seconds *Download Complete* should display. Click *OK*.

15. Follow the on-screen instructions.
16. A new browser window should automatically open in the same *image* folder.
17. Open *USB-miniEVM0304\_441KHZ.bin* to program standard 44.1 kHz USB.
18. The previously viewed on-screen windows and instructions should display.
19. After *Programming Complete* is displayed, the EVM should now be displayed as *USB Audio Device* in *Device Manager* under the sound devices drop-down menu.
20. Run the GUI.

#### 2.1.4 Using the Software

1. Start the TPA6130A2 Interface by clicking the *Start* menu and clicking on the *TPA6130A2 Interface* icon.



**Figure 4. Starting the Software**

- The TPA6130A2 software interface is as shown in Figure 5.

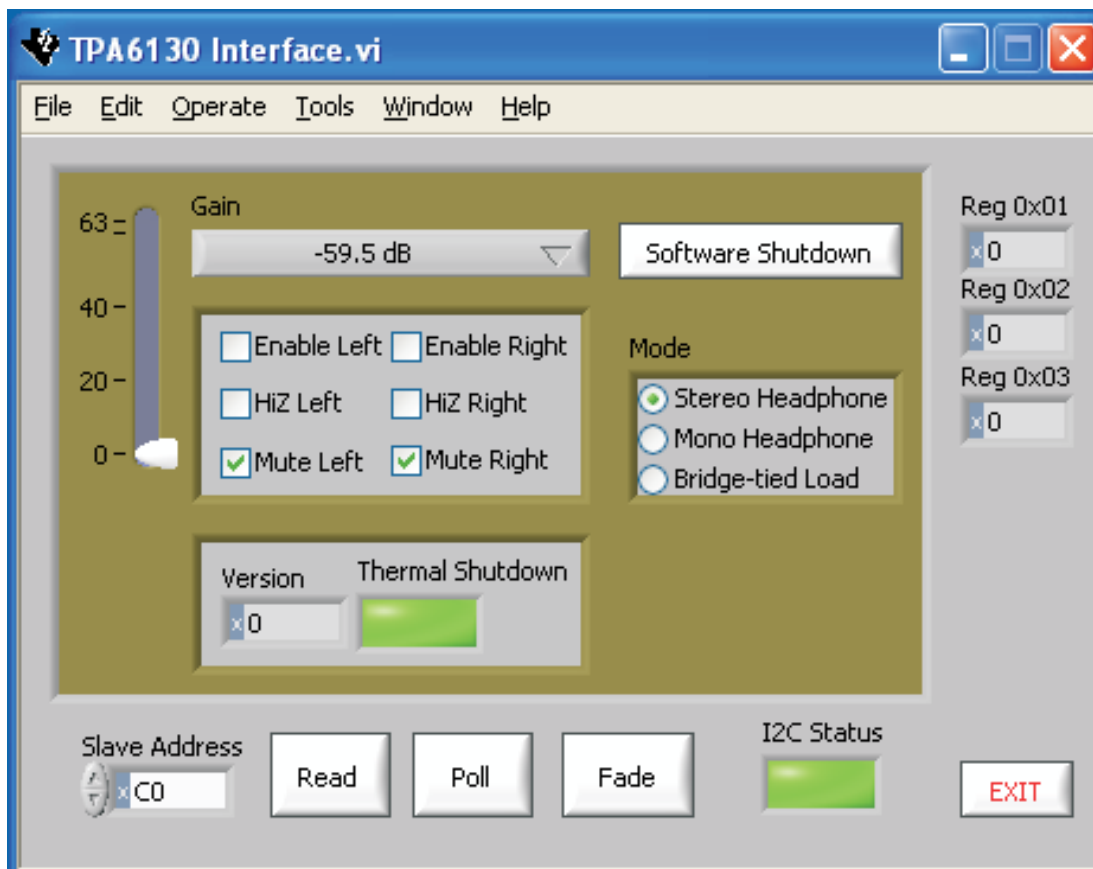


Figure 5. Software Interface

**NOTE:** The TPA6130A2 powers up with the amplifiers disabled, muted, and the gain set to the minimum. To hear an output, enable and unmute each channel, and set the gain to a higher level

- Follow these steps if the host PC running the TPA6130A2EVM GUI is also the music source.

When using Windows 7, if, after initially installing the software, the PC does not play music out of the headphone jack:

- Open the Control Panel.
  - Click on Sounds, Speech, and Audio Device Link under the Control Panel.
  - Click on Sounds and Audio Device Properties link.
  - Click on the Audio tab.
  - Verify that the Default device under sound playback is the audio driver of the PC HW, not the USBMODEVM TPA6130A2 GUI driver, otherwise the computer will try and send audio via USB, not the headphone output.
  - Change the driver in the menu to the PC Audio HW driver.
  - Click on OK.
- Uncheck and check *Enable Left* or *Enable Right* to place the corresponding channels in and out of SHUTDOWN.
  - Check and uncheck *Mute Left* or *Mute Right* to place the corresponding channels in and out of MUTE.
  - Click *Software Shutdown* to place the TPA6130A2 in and out of SHUTDOWN.

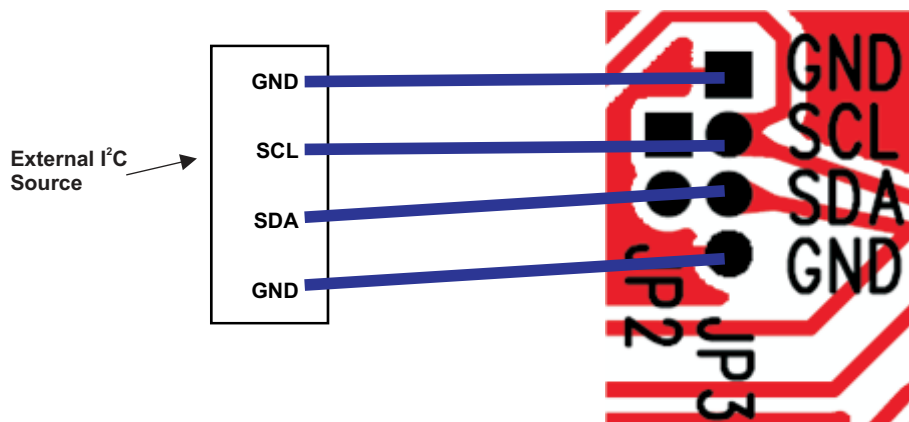
7. Select the correct mode of output under *Mode*.
8. Adjust the Volume or Gain of the TPA6130A2 by dragging the *Gain* bar or clicking on the *Gain* display and selecting from the drop-down menu.
9. *I2C Status* box reports the status of I<sup>2</sup>C communications. An error or failure has occurred if it turns red.
10. *Thermal* box reports the status of thermal failure. A thermal fault has occurred if it turns red.

## 2.2 Quick Start List When Connected to Existing Circuits With I<sup>2</sup>C Controls

The TPA6130A2EVM can be easily connected to existing circuits with I<sup>2</sup>C controls. Connections to the EVM module can be made using banana plugs for the power supply. The inputs accept standard RCA plugs. The output connection accepts standard 3.5-mm headphone plugs.

### 2.2.1 Evaluation Module Preparations

1. Install shunts in jumpers JP4, JP5, and JP6. Remove shunts in JP2 and JP3 and connect I<sup>2</sup>C controls to JP3 as shown in [Figure 6](#).



**Figure 6. Connect I<sup>2</sup>C Controls to JP3**

2. Power TPA6130A2 from external power sources; place a shunt in JP1 as shown in [Figure 7](#).



**Figure 7. Shunts Across JP1 Powered With an External Power Supply**

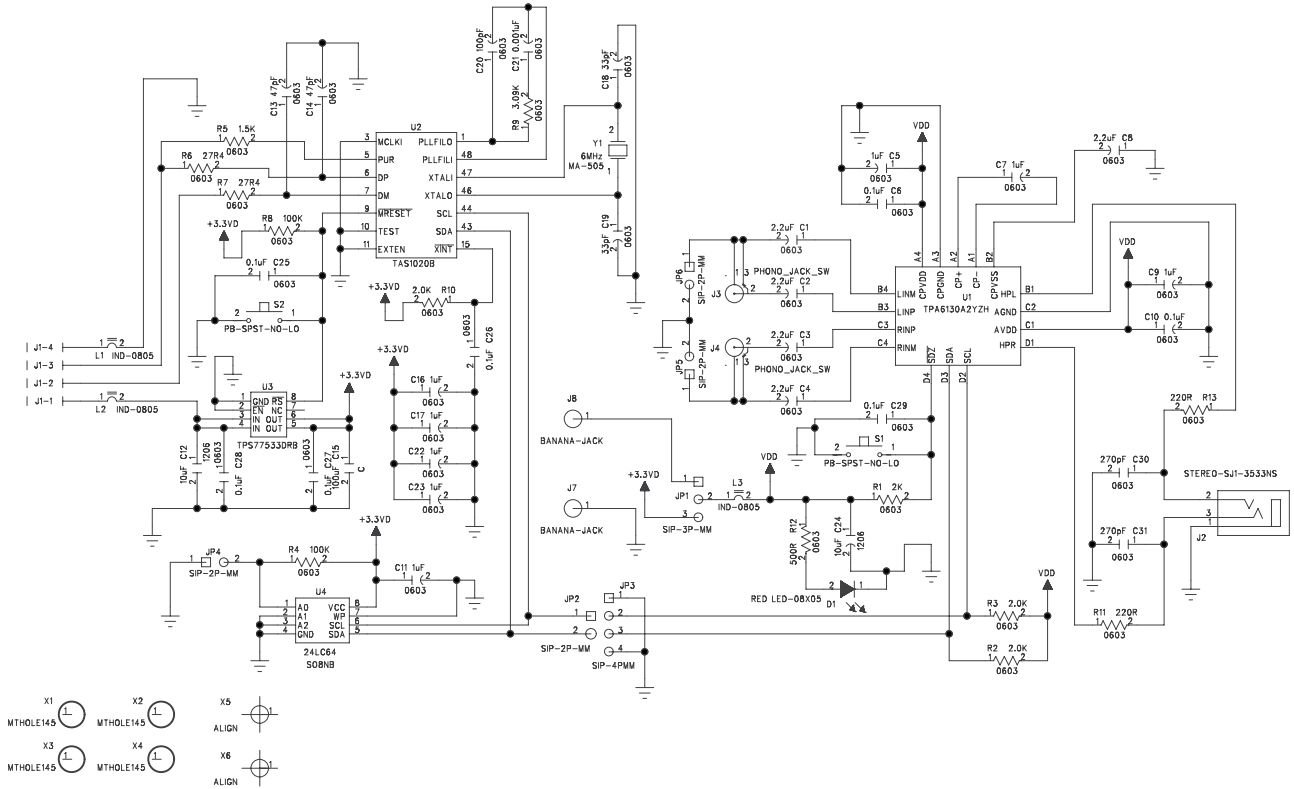
Ensure that all external power sources are set to OFF.

Connect an external regulated power supply adjusted from 2.5 V–6 V to the module VDD (**J8**) and GND (**J7**) banana jacks, taking care to observe marked polarity.

3. Connect audio source to J4 and J3.
4. Connect headphones to J2.
5. Set external power sources to ON. LED should illuminate.

### 3 TPA6130A2EVM Schematic

Figure 8 shows the TPA6130A2EVM schematic.



**Figure 8. TPA6130A2EVM Schematic**

4 TPA6130A2EVM PCB Layers

Figure 9 through Figure 12 illustrate the TPA6130A2EVM PCB layers.

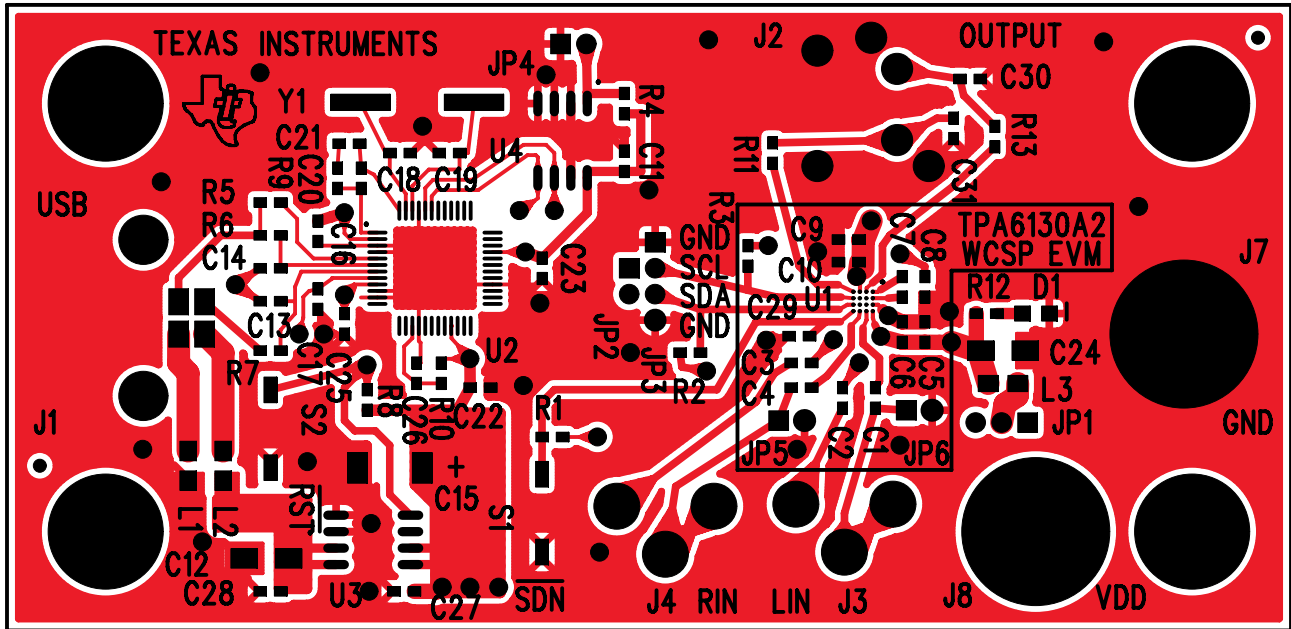


Figure 9. TPA6130A2EVM – Top Layer

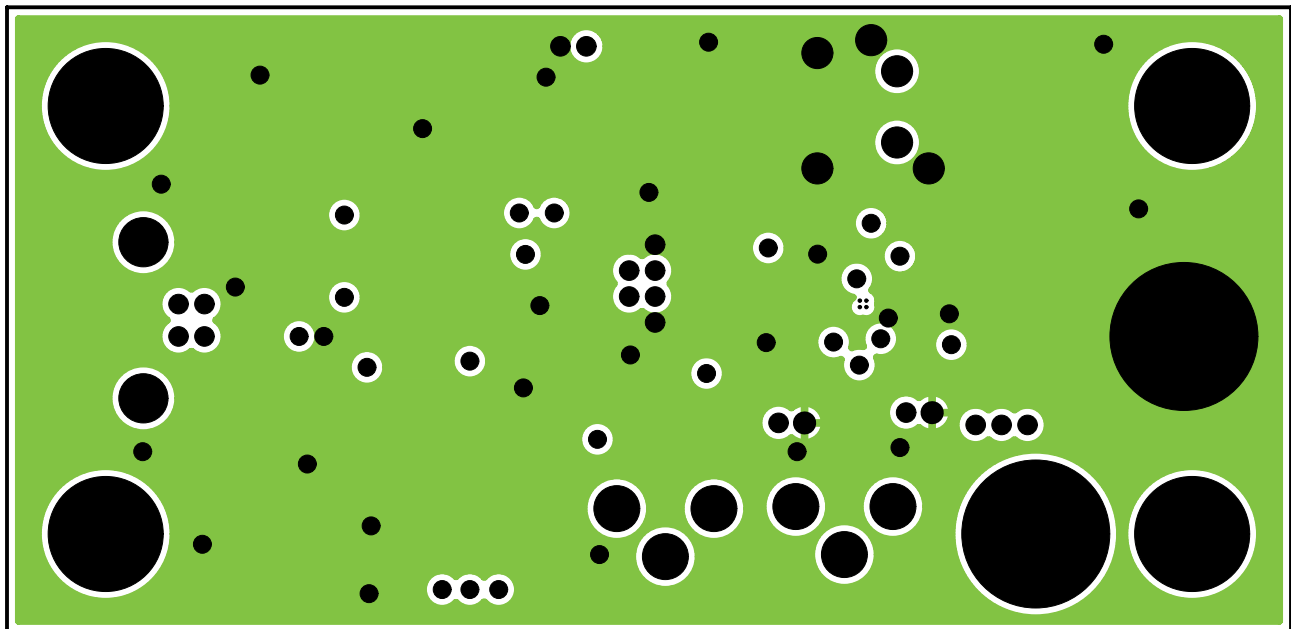


Figure 10. TPA6130A2EVM – Layer 2



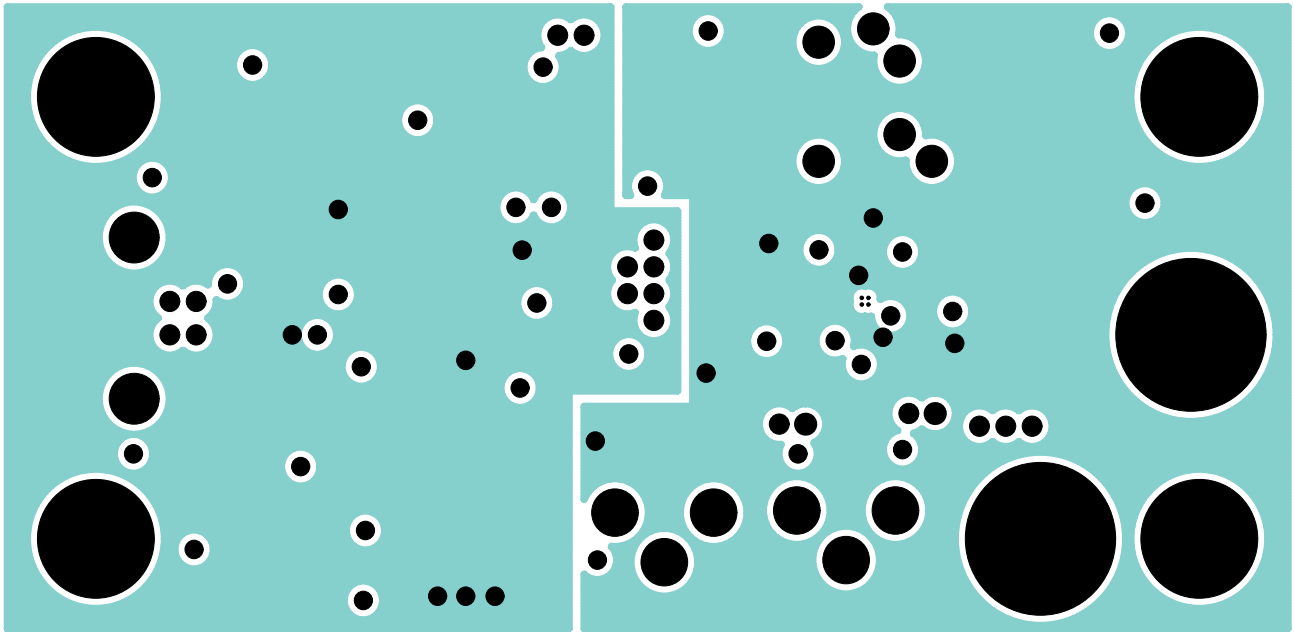


Figure 11. TPA6130A2EVM – Layer 3

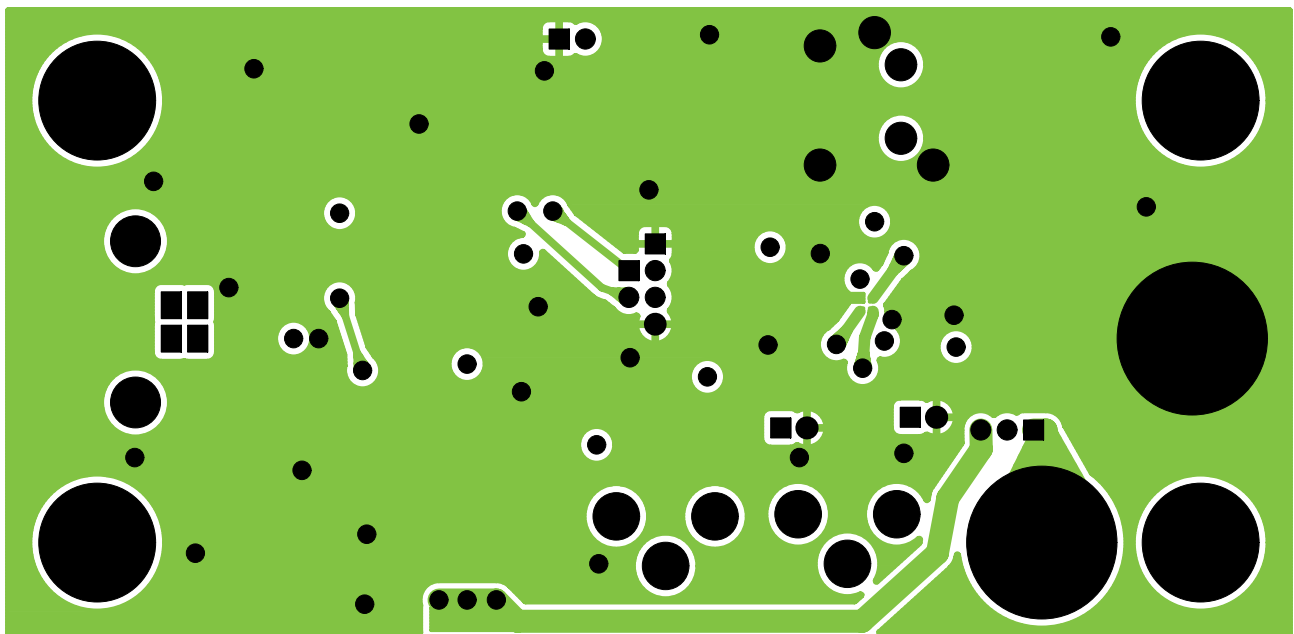


Figure 12. TPA6130A2EVM – Bottom Layer

## 5 TPA6130A2EVM Parts List

Table 1 lists the TPA6130A2EVM BOM.

**Table 1. TPA6130A2EVM Parts List**

Reference	Description	Size	Qty	MFR/ Part No.	Vendor No.
C1, C2, C3, C4, C8	Capacitor, ceramic, 2.2 $\mu$ F, $\pm$ 10%, X5R, 10 V	0603	5	Kemet C0603C225K8PACTU	Digi-Key 399-4911-1-ND
C5, C7, C9, C11, C16, C17, C22, C23	Capacitor, ceramic, 1.0 $\mu$ F, $\pm$ 10%, X5R, 10 V	0603	8	TDK C1608X5R1A105KT	Digi-Key 445-1321-2-ND
C6, C10, C25, C26, C27, C28, C29	Capacitor, ceramic, 0.1 $\mu$ F, $\pm$ 10%, X7R, 50 V	0603	7	TDK C1608X7R1H104KT	Digi-Key 445-1314-2-ND
C13, C14	Capacitor, ceramic, 47pF 50V C0G 5%	0603	2	TDK C1608C0G1H470J	Digi-Key 445-1277-2-ND
C12, C24	6.3V, 10 $\mu$ F, Ceramic Chip Capacitor, $\pm$ 10%, X5R	1206	2	TDK C3216X5R0J106K	Digi-Key 445-1388-1-ND
C15	Tantalum Capacitor, 100 $\mu$ F, 10V, 10%, Low ESR, SMD	C	1	Kemet B45197A2107K309	DigiKey 495-1528-2-ND
C18, C19	50V, 33pF, Ceramic Chip Capacitor, $\pm$ 5%, NPO	0603	2	TDK C1608C0G1H330J	DigiKey 445-1275-1-ND
C20	50V, 100pF, Ceramic Chip Capacitor, $\pm$ 5%, NPO	0603	1	TDK C1608C0G1H101J	Digi-Key 445-1281-1-ND
C21	50V, 1000pF, Ceramic Chip Capacitor, $\pm$ 5%, NPO	0603	1	TDK C1608C0G1H102J	Digi-Key 445-1293-1-ND
C30, C31	Multilayer Varistor Not Installed	0603	DNP	Little Fuse V14MLA0603	Mouser 576-V14MLA0603H
R1, R2, R3, R10	Resistor, chip, 2.7 k $\Omega$ , 1/10W, 5%	0603	4	Panasonic ERJ-3GEYJ272V	Digi-Key P2.7KGCT-ND
R4, R8	Resistor, chip, 100 k $\Omega$ , 1/16W, 5%	0603	2	Panasonic ERJ-3GEYJ104V	Digi-Key P100KGCT-ND
R5	Resistor, chip, 1.5 k $\Omega$ , 1/10W, 5%	0603	1	Panasonic ERJ-3GEYJ152V	Digi-Key P1.5KGCT-ND
R6, R7	Resistor, chip, 27.4 $\Omega$ , 1/16W, 1%	0603	2	Panasonic ERJ-3EKF27R4V	Digi-Key P27.4HCT-ND
R9	Resistor, chip, 3.09 k $\Omega$ , 1/16W, 1%	0603	1	Panasonic ERJ-3EKF3091V	Digi-Key P3.09KHCT-ND
R11, R13	0-Ohm jumper, 1/10W, 5%	0603	2	Panasonic ERJ-3GEY0R00V	Digi-Key P0.0GCT-ND
R12	RES 110 $\Omega$ 1/10W 1% 0603 SMD	0603	1	Panasonic ERJ-3EKF1100V	Digi-Key P110HTR-ND
Y1	6MHz Crystal SMD		1	Epson MA-505 6.0000M-C0	Digi-Key SE2501CT-ND
S1, S2	Switch, momentary, SMD, low profile		2	Panasonic EVQ-PPBA25	Digi-Key P8086SCT-ND
L1, L2, L3	Inductor Bead	0805	3	Steward/HZ0805E601R-00 or Steward/HZ0805E601R-10	Digi-Key/240-1018-1-ND or Digi-Key/240-2399-1-ND
D1	Diode, LED, Green	0805	1	Lumex SML-LXT0805GW-TR	Digi-Key 67-1553-2
J1	USB Type B Slave Connector Thru-Hole		1	Mill-Max 897-30-004-90-000000	Digi-Key ED90003-ND
J2	Headphone Jack, shielded, 3.5mm		1	CUI SJ1-3533NS	Digi-Key CP1-3533NS-ND
J3, J4	Phono jack, PC mount, switched, red		2	Switchcraft PJRAN1X1U03	Newark 16C1860
J7, J8	Banana Jack w/knurled Thumbnut (nickel plate)		2	Johnson 111-2223-001	Digi-Key J587-ND
JP1	Header, 3 position, male	2mm	1	Norcomp 2163-36-01-P2	DigiKey 2163S-36
JP2, JP4–JP6	Header, 2 position, male	2mm	4	Norcomp 2163-36-01-P2	DigiKey 2163S-36
JP3	Header, 4 position, male	2mm	1	Norcomp 2163-36-01-P2	DigiKey 2163S-36

**Table 1. TPA6130A2EVM Parts List (continued)**

Reference	Description	Size	Qty	MFR/ Part No.	Vendor No.
JP1–JP6 (shunts)	SHUNT, 2mm	2mm	6	Specialty 2JM-G	
U1	Headphone amplifier with I <sup>2</sup> C controls	WCSP	1	TI TPA6130A2	
U2	USB Streaming Controller		1	TI TAS1020BPFB	
U3	3.3V LDO Regulator with reset output		1	TI TPS77533DRB	
U4	64K 2-Wire Serial EEPROM I <sup>2</sup> C		1	Microchip 24LC64I/SN	DigiKey 24LC64-I/SN-ND
	Standoffs, 5/8" length, 4-40 thread		4	Keystone 1808	(Newark) 89F1934
	Screws, 4-40, 0.375		4		(Digi-Key) H781-ND

## Revision History

<b>Changes from Original (October 2006) to A Revision</b>	<b>Page</b>
• Changed <i>Quick Start List for Stand-Alone Operation</i> section to support Windows 7. ....	2
• Changed <i>Software Installation Sequence</i> section to support software download URL and instructions. ....	2
• Deleted items 9 and 10 from the <i>Evaluation Module Preparations</i> section. ....	2
• Added <i>Computer Connection Issues</i> section. ....	3
• Changed version on USBfirmware to V0304. ....	3
• Changed step 3 in the <i>Using the Software</i> section for Windows 7 support. ....	5
• Added information about the audio output in step 3e of the <i>Using the Software</i> section. ....	5

NOTE: Page numbers for previous revisions may differ from page numbers in the current version.

## STANDARD TERMS AND CONDITIONS FOR EVALUATION MODULES

1. *Delivery:* TI delivers TI evaluation boards, kits, or modules, including any accompanying demonstration software, components, or documentation (collectively, an "EVM" or "EVMs") to the User ("User") in accordance with the terms and conditions set forth herein. Acceptance of the EVM is expressly subject to the following terms and conditions.
  - 1.1 EVMs are intended solely for product or software developers for use in a research and development setting to facilitate feasibility evaluation, experimentation, or scientific analysis of TI semiconductors products. EVMs have no direct function and are not finished products. EVMs shall not be directly or indirectly assembled as a part or subassembly in any finished product. For clarification, any software or software tools provided with the EVM ("Software") shall not be subject to the terms and conditions set forth herein but rather shall be subject to the applicable terms and conditions that accompany such Software
  - 1.2 EVMs are not intended for consumer or household use. EVMs may not be sold, sublicensed, leased, rented, loaned, assigned, or otherwise distributed for commercial purposes by Users, in whole or in part, or used in any finished product or production system.
2. *Limited Warranty and Related Remedies/Disclaimers:*
  - 2.1 These terms and conditions do not apply to Software. The warranty, if any, for Software is covered in the applicable Software License Agreement.
  - 2.2 TI warrants that the TI EVM will conform to TI's published specifications for ninety (90) days after the date TI delivers such EVM to User. Notwithstanding the foregoing, TI shall not be liable for any defects that are caused by neglect, misuse or mistreatment by an entity other than TI, including improper installation or testing, or for any EVMs that have been altered or modified in any way by an entity other than TI. Moreover, TI shall not be liable for any defects that result from User's design, specifications or instructions for such EVMs. Testing and other quality control techniques are used to the extent TI deems necessary or as mandated by government requirements. TI does not test all parameters of each EVM.
  - 2.3 If any EVM fails to conform to the warranty set forth above, TI's sole liability shall be at its option to repair or replace such EVM, or credit User's account for such EVM. TI's liability under this warranty shall be limited to EVMs that are returned during the warranty period to the address designated by TI and that are determined by TI not to conform to such warranty. If TI elects to repair or replace such EVM, TI shall have a reasonable time to repair such EVM or provide replacements. Repaired EVMs shall be warranted for the remainder of the original warranty period. Replaced EVMs shall be warranted for a new full ninety (90) day warranty period.
3. *Regulatory Notices:*
  - 3.1 *United States*
    - 3.1.1 *Notice applicable to EVMs not FCC-Approved:*

This kit is designed to allow product developers to evaluate electronic components, circuitry, or software associated with the kit to determine whether to incorporate such items in a finished product and software developers to write software applications for use with the end product. This kit is not a finished product and when assembled may not be resold or otherwise marketed unless all required FCC equipment authorizations are first obtained. Operation is subject to the condition that this product not cause harmful interference to licensed radio stations and that this product accept harmful interference. Unless the assembled kit is designed to operate under part 15, part 18 or part 95 of this chapter, the operator of the kit must operate under the authority of an FCC license holder or must secure an experimental authorization under part 5 of this chapter.
    - 3.1.2 *For EVMs annotated as FCC – FEDERAL COMMUNICATIONS COMMISSION Part 15 Compliant:*

### CAUTION

This device complies with part 15 of the FCC Rules. Operation is subject to the following two conditions: (1) This device may not cause harmful interference, and (2) this device must accept any interference received, including interference that may cause undesired operation.

Changes or modifications not expressly approved by the party responsible for compliance could void the user's authority to operate the equipment.

### FCC Interference Statement for Class A EVM devices

*NOTE: This equipment has been tested and found to comply with the limits for a Class A digital device, pursuant to part 15 of the FCC Rules. These limits are designed to provide reasonable protection against harmful interference when the equipment is operated in a commercial environment. This equipment generates, uses, and can radiate radio frequency energy and, if not installed and used in accordance with the instruction manual, may cause harmful interference to radio communications. Operation of this equipment in a residential area is likely to cause harmful interference in which case the user will be required to correct the interference at his own expense.*

## FCC Interference Statement for Class B EVM devices

*NOTE: This equipment has been tested and found to comply with the limits for a Class B digital device, pursuant to part 15 of the FCC Rules. These limits are designed to provide reasonable protection against harmful interference in a residential installation. This equipment generates, uses and can radiate radio frequency energy and, if not installed and used in accordance with the instructions, may cause harmful interference to radio communications. However, there is no guarantee that interference will not occur in a particular installation. If this equipment does cause harmful interference to radio or television reception, which can be determined by turning the equipment off and on, the user is encouraged to try to correct the interference by one or more of the following measures:*

- Reorient or relocate the receiving antenna.
- Increase the separation between the equipment and receiver.
- Connect the equipment into an outlet on a circuit different from that to which the receiver is connected.
- Consult the dealer or an experienced radio/TV technician for help.

### 3.2 Canada

3.2.1 For EVMs issued with an Industry Canada Certificate of Conformance to RSS-210

#### Concerning EVMs Including Radio Transmitters:

This device complies with Industry Canada license-exempt RSS standard(s). Operation is subject to the following two conditions: (1) this device may not cause interference, and (2) this device must accept any interference, including interference that may cause undesired operation of the device.

#### Concernant les EVMs avec appareils radio:

Le présent appareil est conforme aux CNR d'Industrie Canada applicables aux appareils radio exempts de licence. L'exploitation est autorisée aux deux conditions suivantes: (1) l'appareil ne doit pas produire de brouillage, et (2) l'utilisateur de l'appareil doit accepter tout brouillage radioélectrique subi, même si le brouillage est susceptible d'en compromettre le fonctionnement.

#### Concerning EVMs Including Detachable Antennas:

Under Industry Canada regulations, this radio transmitter may only operate using an antenna of a type and maximum (or lesser) gain approved for the transmitter by Industry Canada. To reduce potential radio interference to other users, the antenna type and its gain should be so chosen that the equivalent isotropically radiated power (e.i.r.p.) is not more than that necessary for successful communication. This radio transmitter has been approved by Industry Canada to operate with the antenna types listed in the user guide with the maximum permissible gain and required antenna impedance for each antenna type indicated. Antenna types not included in this list, having a gain greater than the maximum gain indicated for that type, are strictly prohibited for use with this device.

#### Concernant les EVMs avec antennes détachables

Conformément à la réglementation d'Industrie Canada, le présent émetteur radio peut fonctionner avec une antenne d'un type et d'un gain maximal (ou inférieur) approuvé pour l'émetteur par Industrie Canada. Dans le but de réduire les risques de brouillage radioélectrique à l'intention des autres utilisateurs, il faut choisir le type d'antenne et son gain de sorte que la puissance isotrope rayonnée équivalente (p.i.r.e.) ne dépasse pas l'intensité nécessaire à l'établissement d'une communication satisfaisante. Le présent émetteur radio a été approuvé par Industrie Canada pour fonctionner avec les types d'antenne énumérés dans le manuel d'usage et ayant un gain admissible maximal et l'impédance requise pour chaque type d'antenne. Les types d'antenne non inclus dans cette liste, ou dont le gain est supérieur au gain maximal indiqué, sont strictement interdits pour l'exploitation de l'émetteur.

### 3.3 Japan

3.3.1 *Notice for EVMs delivered in Japan:* Please see [http://www.tij.co.jp/llds/ti\\_ja/general/eStore/notice\\_01.page](http://www.tij.co.jp/llds/ti_ja/general/eStore/notice_01.page) 日本国内に輸入される評価用キット、ボードについては、次のところをご覧ください。  
[http://www.tij.co.jp/llds/ti\\_ja/general/eStore/notice\\_01.page](http://www.tij.co.jp/llds/ti_ja/general/eStore/notice_01.page)

3.3.2 *Notice for Users of EVMs Considered "Radio Frequency Products" in Japan:* EVMs entering Japan are NOT certified by TI as conforming to Technical Regulations of Radio Law of Japan.

If User uses EVMs in Japan, User is required by Radio Law of Japan to follow the instructions below with respect to EVMs:

1. Use EVMs in a shielded room or any other test facility as defined in the notification #173 issued by Ministry of Internal Affairs and Communications on March 28, 2006, based on Sub-section 1.1 of Article 6 of the Ministry's Rule for Enforcement of Radio Law of Japan,
2. Use EVMs only after User obtains the license of Test Radio Station as provided in Radio Law of Japan with respect to EVMs, or
3. Use of EVMs only after User obtains the Technical Regulations Conformity Certification as provided in Radio Law of Japan with respect to EVMs. Also, do not transfer EVMs, unless User gives the same notice above to the transferee. Please note that if User does not follow the instructions above, User will be subject to penalties of Radio Law of Japan.

**【無線電波を送信する製品の開発キットをお使いになる際の注意事項】**

本開発キットは技術基準適合証明を受けておりません。

本製品のご使用に際しては、電波法遵守のため、以下のいずれかの措置を取っていただく必要がありますのでご注意ください。

1. 電波法施行規則第6条第1項第1号に基づく平成18年3月28日総務省告示第173号で定められた電波暗室等の試験設備でご使用いただく。
2. 実験局の免許を取得後ご使用いただく。
3. 技術基準適合証明を取得後ご使用いただく。

なお、本製品は、上記の「ご使用にあたっての注意」を譲渡先、移転先に通知しない限り、譲渡、移転できないものとします。

上記を遵守頂けない場合は、電波法の罰則が適用される可能性があることをご留意ください。

日本テキサス・インスツルメンツ株式会社

東京都新宿区西新宿 6 丁目 2 4 番 1 号

西新宿三井ビル

3.3.3 *Notice for EVMs for Power Line Communication:* Please see [http://www.tij.co.jp/llds/ti\\_ja/general/eStore/notice\\_02.page](http://www.tij.co.jp/llds/ti_ja/general/eStore/notice_02.page)

電力線搬送波通信についての開発キットをお使いになる際の注意事項については、次のところをご覧ください。[http://www.tij.co.jp/llds/ti\\_ja/general/eStore/notice\\_02.page](http://www.tij.co.jp/llds/ti_ja/general/eStore/notice_02.page)

4 *EVM Use Restrictions and Warnings:*

4.1 EVMS ARE NOT FOR USE IN FUNCTIONAL SAFETY AND/OR SAFETY CRITICAL EVALUATIONS, INCLUDING BUT NOT LIMITED TO EVALUATIONS OF LIFE SUPPORT APPLICATIONS.

4.2 User must read and apply the user guide and other available documentation provided by TI regarding the EVM prior to handling or using the EVM, including without limitation any warning or restriction notices. The notices contain important safety information related to, for example, temperatures and voltages.

4.3 *Safety-Related Warnings and Restrictions:*

4.3.1 User shall operate the EVM within TI's recommended specifications and environmental considerations stated in the user guide, other available documentation provided by TI, and any other applicable requirements and employ reasonable and customary safeguards. Exceeding the specified performance ratings and specifications (including but not limited to input and output voltage, current, power, and environmental ranges) for the EVM may cause personal injury or death, or property damage. If there are questions concerning performance ratings and specifications, User should contact a TI field representative prior to connecting interface electronics including input power and intended loads. Any loads applied outside of the specified output range may also result in unintended and/or inaccurate operation and/or possible permanent damage to the EVM and/or interface electronics. Please consult the EVM user guide prior to connecting any load to the EVM output. If there is uncertainty as to the load specification, please contact a TI field representative. During normal operation, even with the inputs and outputs kept within the specified allowable ranges, some circuit components may have elevated case temperatures. These components include but are not limited to linear regulators, switching transistors, pass transistors, current sense resistors, and heat sinks, which can be identified using the information in the associated documentation. When working with the EVM, please be aware that the EVM may become very warm.

4.3.2 EVMs are intended solely for use by technically qualified, professional electronics experts who are familiar with the dangers and application risks associated with handling electrical mechanical components, systems, and subsystems. User assumes all responsibility and liability for proper and safe handling and use of the EVM by User or its employees, affiliates, contractors or designees. User assumes all responsibility and liability to ensure that any interfaces (electronic and/or mechanical) between the EVM and any human body are designed with suitable isolation and means to safely limit accessible leakage currents to minimize the risk of electrical shock hazard. User assumes all responsibility and liability for any improper or unsafe handling or use of the EVM by User or its employees, affiliates, contractors or designees.

4.4 User assumes all responsibility and liability to determine whether the EVM is subject to any applicable international, federal, state, or local laws and regulations related to User's handling and use of the EVM and, if applicable, User assumes all responsibility and liability for compliance in all respects with such laws and regulations. User assumes all responsibility and liability for proper disposal and recycling of the EVM consistent with all applicable international, federal, state, and local requirements.

5. *Accuracy of Information:* To the extent TI provides information on the availability and function of EVMs, TI attempts to be as accurate as possible. However, TI does not warrant the accuracy of EVM descriptions, EVM availability or other information on its websites as accurate, complete, reliable, current, or error-free.

6. *Disclaimers:*
- 6.1 EXCEPT AS SET FORTH ABOVE, EVMS AND ANY WRITTEN DESIGN MATERIALS PROVIDED WITH THE EVM (AND THE DESIGN OF THE EVM ITSELF) ARE PROVIDED "AS IS" AND "WITH ALL FAULTS." TI DISCLAIMS ALL OTHER WARRANTIES, EXPRESS OR IMPLIED, REGARDING SUCH ITEMS, INCLUDING BUT NOT LIMITED TO ANY IMPLIED WARRANTIES OF MERCHANTABILITY OR FITNESS FOR A PARTICULAR PURPOSE OR NON-INFRINGEMENT OF ANY THIRD PARTY PATENTS, COPYRIGHTS, TRADE SECRETS OR OTHER INTELLECTUAL PROPERTY RIGHTS.
- 6.2 EXCEPT FOR THE LIMITED RIGHT TO USE THE EVM SET FORTH HEREIN, NOTHING IN THESE TERMS AND CONDITIONS SHALL BE CONSTRUED AS GRANTING OR CONFERRING ANY RIGHTS BY LICENSE, PATENT, OR ANY OTHER INDUSTRIAL OR INTELLECTUAL PROPERTY RIGHT OF TI, ITS SUPPLIERS/LICENSORS OR ANY OTHER THIRD PARTY, TO USE THE EVM IN ANY FINISHED END-USER OR READY-TO-USE FINAL PRODUCT, OR FOR ANY INVENTION, DISCOVERY OR IMPROVEMENT MADE, CONCEIVED OR ACQUIRED PRIOR TO OR AFTER DELIVERY OF THE EVM.
7. *USER'S INDEMNITY OBLIGATIONS AND REPRESENTATIONS.* USER WILL DEFEND, INDEMNIFY AND HOLD TI, ITS LICENSORS AND THEIR REPRESENTATIVES HARMLESS FROM AND AGAINST ANY AND ALL CLAIMS, DAMAGES, LOSSES, EXPENSES, COSTS AND LIABILITIES (COLLECTIVELY, "CLAIMS") ARISING OUT OF OR IN CONNECTION WITH ANY HANDLING OR USE OF THE EVM THAT IS NOT IN ACCORDANCE WITH THESE TERMS AND CONDITIONS. THIS OBLIGATION SHALL APPLY WHETHER CLAIMS ARISE UNDER STATUTE, REGULATION, OR THE LAW OF TORT, CONTRACT OR ANY OTHER LEGAL THEORY, AND EVEN IF THE EVM FAILS TO PERFORM AS DESCRIBED OR EXPECTED.
8. *Limitations on Damages and Liability:*
- 8.1 *General Limitations.* IN NO EVENT SHALL TI BE LIABLE FOR ANY SPECIAL, COLLATERAL, INDIRECT, PUNITIVE, INCIDENTAL, CONSEQUENTIAL, OR EXEMPLARY DAMAGES IN CONNECTION WITH OR ARISING OUT OF THESE TERMS AND CONDITIONS OR THE USE OF THE EVMS PROVIDED HEREUNDER, REGARDLESS OF WHETHER TI HAS BEEN ADVISED OF THE POSSIBILITY OF SUCH DAMAGES. EXCLUDED DAMAGES INCLUDE, BUT ARE NOT LIMITED TO, COST OF REMOVAL OR REINSTALLATION, ANCILLARY COSTS TO THE PROCUREMENT OF SUBSTITUTE GOODS OR SERVICES, RETESTING, OUTSIDE COMPUTER TIME, LABOR COSTS, LOSS OF GOODWILL, LOSS OF PROFITS, LOSS OF SAVINGS, LOSS OF USE, LOSS OF DATA, OR BUSINESS INTERRUPTION. NO CLAIM, SUIT OR ACTION SHALL BE BROUGHT AGAINST TI MORE THAN ONE YEAR AFTER THE RELATED CAUSE OF ACTION HAS OCCURRED.
- 8.2 *Specific Limitations.* IN NO EVENT SHALL TI'S AGGREGATE LIABILITY FROM ANY WARRANTY OR OTHER OBLIGATION ARISING OUT OF OR IN CONNECTION WITH THESE TERMS AND CONDITIONS, OR ANY USE OF ANY TI EVM PROVIDED HEREUNDER, EXCEED THE TOTAL AMOUNT PAID TO TI FOR THE PARTICULAR UNITS SOLD UNDER THESE TERMS AND CONDITIONS WITH RESPECT TO WHICH LOSSES OR DAMAGES ARE CLAIMED. THE EXISTENCE OF MORE THAN ONE CLAIM AGAINST THE PARTICULAR UNITS SOLD TO USER UNDER THESE TERMS AND CONDITIONS SHALL NOT ENLARGE OR EXTEND THIS LIMIT.
9. *Return Policy.* Except as otherwise provided, TI does not offer any refunds, returns, or exchanges. Furthermore, no return of EVM(s) will be accepted if the package has been opened and no return of the EVM(s) will be accepted if they are damaged or otherwise not in a resalable condition. If User feels it has been incorrectly charged for the EVM(s) it ordered or that delivery violates the applicable order, User should contact TI. All refunds will be made in full within thirty (30) working days from the return of the components(s), excluding any postage or packaging costs.
10. *Governing Law:* These terms and conditions shall be governed by and interpreted in accordance with the laws of the State of Texas, without reference to conflict-of-laws principles. User agrees that non-exclusive jurisdiction for any dispute arising out of or relating to these terms and conditions lies within courts located in the State of Texas and consents to venue in Dallas County, Texas. Notwithstanding the foregoing, any judgment may be enforced in any United States or foreign court, and TI may seek injunctive relief in any United States or foreign court.

Mailing Address: Texas Instruments, Post Office Box 655303, Dallas, Texas 75265  
Copyright © 2014, Texas Instruments Incorporated

## IMPORTANT NOTICE

Texas Instruments Incorporated and its subsidiaries (TI) reserve the right to make corrections, enhancements, improvements and other changes to its semiconductor products and services per JESD46, latest issue, and to discontinue any product or service per JESD48, latest issue. Buyers should obtain the latest relevant information before placing orders and should verify that such information is current and complete. All semiconductor products (also referred to herein as "components") are sold subject to TI's terms and conditions of sale supplied at the time of order acknowledgment.

TI warrants performance of its components to the specifications applicable at the time of sale, in accordance with the warranty in TI's terms and conditions of sale of semiconductor products. Testing and other quality control techniques are used to the extent TI deems necessary to support this warranty. Except where mandated by applicable law, testing of all parameters of each component is not necessarily performed.

TI assumes no liability for applications assistance or the design of Buyers' products. Buyers are responsible for their products and applications using TI components. To minimize the risks associated with Buyers' products and applications, Buyers should provide adequate design and operating safeguards.

TI does not warrant or represent that any license, either express or implied, is granted under any patent right, copyright, mask work right, or other intellectual property right relating to any combination, machine, or process in which TI components or services are used. Information published by TI regarding third-party products or services does not constitute a license to use such products or services or a warranty or endorsement thereof. Use of such information may require a license from a third party under the patents or other intellectual property of the third party, or a license from TI under the patents or other intellectual property of TI.

Reproduction of significant portions of TI information in TI data books or data sheets is permissible only if reproduction is without alteration and is accompanied by all associated warranties, conditions, limitations, and notices. TI is not responsible or liable for such altered documentation. Information of third parties may be subject to additional restrictions.

Resale of TI components or services with statements different from or beyond the parameters stated by TI for that component or service voids all express and any implied warranties for the associated TI component or service and is an unfair and deceptive business practice. TI is not responsible or liable for any such statements.

Buyer acknowledges and agrees that it is solely responsible for compliance with all legal, regulatory and safety-related requirements concerning its products, and any use of TI components in its applications, notwithstanding any applications-related information or support that may be provided by TI. Buyer represents and agrees that it has all the necessary expertise to create and implement safeguards which anticipate dangerous consequences of failures, monitor failures and their consequences, lessen the likelihood of failures that might cause harm and take appropriate remedial actions. Buyer will fully indemnify TI and its representatives against any damages arising out of the use of any TI components in safety-critical applications.

In some cases, TI components may be promoted specifically to facilitate safety-related applications. With such components, TI's goal is to help enable customers to design and create their own end-product solutions that meet applicable functional safety standards and requirements. Nonetheless, such components are subject to these terms.

No TI components are authorized for use in FDA Class III (or similar life-critical medical equipment) unless authorized officers of the parties have executed a special agreement specifically governing such use.

Only those TI components which TI has specifically designated as military grade or "enhanced plastic" are designed and intended for use in military/aerospace applications or environments. Buyer acknowledges and agrees that any military or aerospace use of TI components which have **not** been so designated is solely at the Buyer's risk, and that Buyer is solely responsible for compliance with all legal and regulatory requirements in connection with such use.

TI has specifically designated certain components as meeting ISO/TS16949 requirements, mainly for automotive use. In any case of use of non-designated products, TI will not be responsible for any failure to meet ISO/TS16949.

### Products

Audio	<a href="http://www.ti.com/audio">www.ti.com/audio</a>
Amplifiers	<a href="http://amplifier.ti.com">amplifier.ti.com</a>
Data Converters	<a href="http://dataconverter.ti.com">dataconverter.ti.com</a>
DLP® Products	<a href="http://www.dlp.com">www.dlp.com</a>
DSP	<a href="http://dsp.ti.com">dsp.ti.com</a>
Clocks and Timers	<a href="http://www.ti.com/clocks">www.ti.com/clocks</a>
Interface	<a href="http://interface.ti.com">interface.ti.com</a>
Logic	<a href="http://logic.ti.com">logic.ti.com</a>
Power Mgmt	<a href="http://power.ti.com">power.ti.com</a>
Microcontrollers	<a href="http://microcontroller.ti.com">microcontroller.ti.com</a>
RFID	<a href="http://www.ti-rfid.com">www.ti-rfid.com</a>
OMAP Applications Processors	<a href="http://www.ti.com/omap">www.ti.com/omap</a>
Wireless Connectivity	<a href="http://www.ti.com/wirelessconnectivity">www.ti.com/wirelessconnectivity</a>

### Applications

Automotive and Transportation	<a href="http://www.ti.com/automotive">www.ti.com/automotive</a>
Communications and Telecom	<a href="http://www.ti.com/communications">www.ti.com/communications</a>
Computers and Peripherals	<a href="http://www.ti.com/computers">www.ti.com/computers</a>
Consumer Electronics	<a href="http://www.ti.com/consumer-apps">www.ti.com/consumer-apps</a>
Energy and Lighting	<a href="http://www.ti.com/energy">www.ti.com/energy</a>
Industrial	<a href="http://www.ti.com/industrial">www.ti.com/industrial</a>
Medical	<a href="http://www.ti.com/medical">www.ti.com/medical</a>
Security	<a href="http://www.ti.com/security">www.ti.com/security</a>
Space, Avionics and Defense	<a href="http://www.ti.com/space-avionics-defense">www.ti.com/space-avionics-defense</a>
Video and Imaging	<a href="http://www.ti.com/video">www.ti.com/video</a>

### TI E2E Community

[e2e.ti.com](http://e2e.ti.com)