

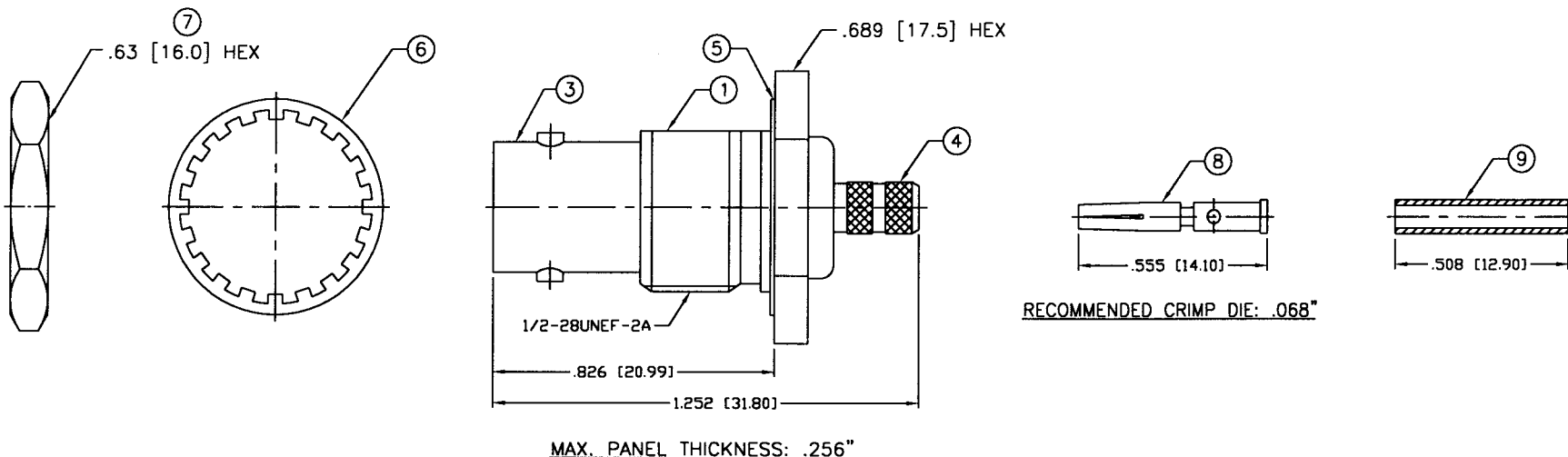
THIS DRAWING CONTAINS INFORMATION PROPRIETARY TO RF INDUSTRIES.
 ANY UNAUTHORIZED USE OF THIS DRAWING IS EXPRESSLY PROHIBITED
 WITHOUT WRITTEN PERMISSION FROM RF INDUSTRIES.
 ANY VIOLATION IS PUNISHABLE UNDER U.S. COPYRIGHT LAWS.

ALL DIMENSIONS ARE REFERENCE ONLY

PART NO.

RFB-1117-BT-03

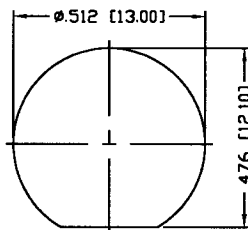
| REV | DESCRIPTION | DWN | DATE | APPROVED |
|-----|---|-----|----------|----------|
| A | ENGINEERING RELEASE | CZS | 8/4/98 | R. RICE |
| B | CONNECTOR NOW WILL ACCEPT MAX PANEL THICKNESS OF .140 | CZS | 9/3/98 | R. RICE |
| C | CHG DIMS THROUGHOUT, FORMAT, STRIPING & DWG # 8951B | CZS | 1/31/02 | JDMc |
| D | CHANGE INSERT LENGTH (ITEM #9) | CZS | 11/17/03 | JDMc |



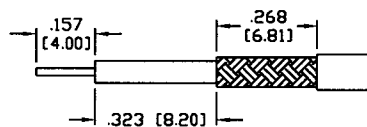
RECOMMENDED CRIMP DIE: .068"

SPECIFICATIONS:

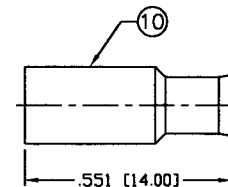
IMPEDANCE: 50 Ohms
 FREQUENCY RANGE: 0-4 GHz
 VSWR: 1.3 Max.
 WORKING VOLTAGE: 500 V rms @ sea level
 TEMPERATURE RANGE: -65°C TO 85°C
 INSULATION RESISTANCE: 5k M Ohms min.
 FOR RG-174, 188, 188A, 316/U, ALPHA 9174,
 9316 BELDEN 8216, 83269, 83284, 84316
 & TIMES LMR-100A CABLE



RECOMMENDED MOUNTING HOLE



RECOMMENDED STRIPPING DIM'S



RECOMMENDED CRIMP DIE: .178"

| | | | | | | |
|----|--------------|-----|-------------|---------------|-----------|------|
| 1 | BODY | 1 | BRASS | NICKEL, 100μ" | 008974 | |
| 2 | INSULATOR | 1 | PTFE | --- | | |
| 3 | PRESS BODY | 1 | BRASS | NICKEL, 100μ" | | |
| 4 | FERRULE STUD | 1 | BRASS | NICKEL, 100μ" | | |
| 5 | GASKET | 1 | RUBBER | --- | | |
| 6 | WASHER | 1 | BRASS | NICKEL, 100μ" | | |
| 7 | HEX NUT | 1 | BRASS | NICKEL, 100μ" | | |
| 8 | CONTACT | 1 | PHOS BRONZE | GOLD, 3μ" | | |
| 9 | INSERT | 1 | DELTRIN | --- | | |
| 10 | FERRULE | 1 | BRASS | NICKEL, 100μ" | | |
| 11 | | | | | | |
| 12 | | | | | | |
| 13 | | | | | | |
| 14 | | | | | | |
| # | DESCRIPTION | QTY | MATERIAL | FINISH | APPROVALS | DATE |

DRAWN
C. ZUNIGA 11/17/03
 CHECKED
 ORJ DRAWN
C. ZUNIGA 8/4/98

UNLESS OTHERWISE SPECIFIED:

DIMENSIONS ARE IN INCHES
 AND [MILLIMETERS]
 UNLESS OTHERWISE NOTED
 TOLERANCES ARE:
 DECIMALS DIAMETER

RFconnectors
 DIVISION OF RF INDUSTRIES, LTD.

7610 MIRAMAR RD
 SAN DIEGO, CA 92126
 (858) 549-6340
 (858) 549-6345 FAX

BNC JACK, CRIMP

BULKHEAD, WITH PANEL SEAL GASKET

| SIZE | CABLE GROUP | DWG NO. | REV |
|------------|-------------|------------------|--------------|
| A | B | RFB-1117-BT-03 | D |
| SCALE: NTS | | CAD FILE OUTLINE | SHEET 1 OF 1 |