

4

3

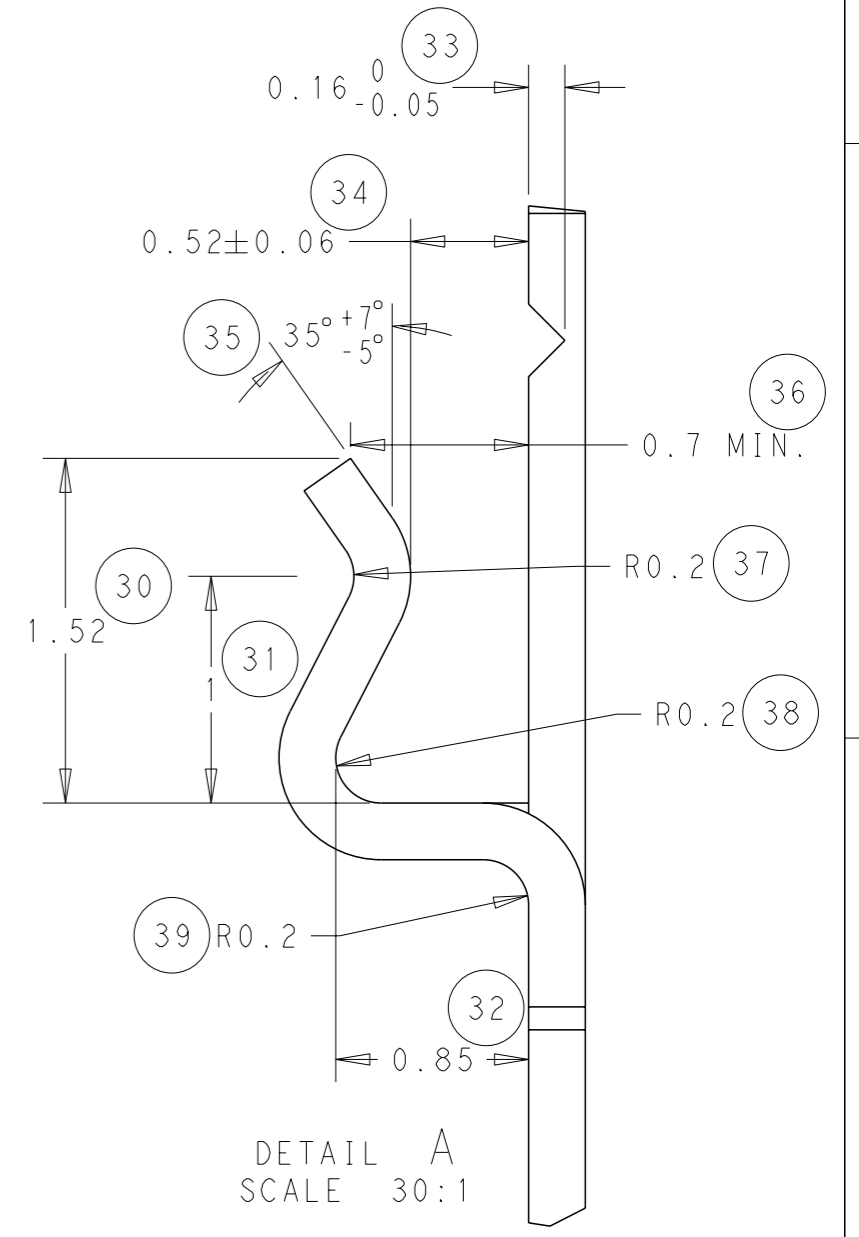
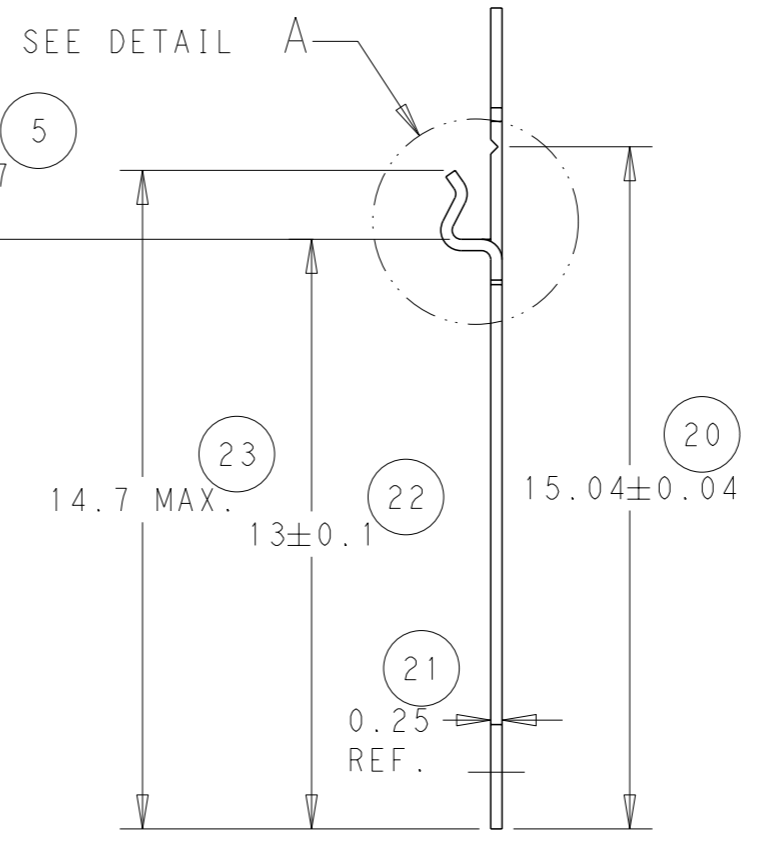
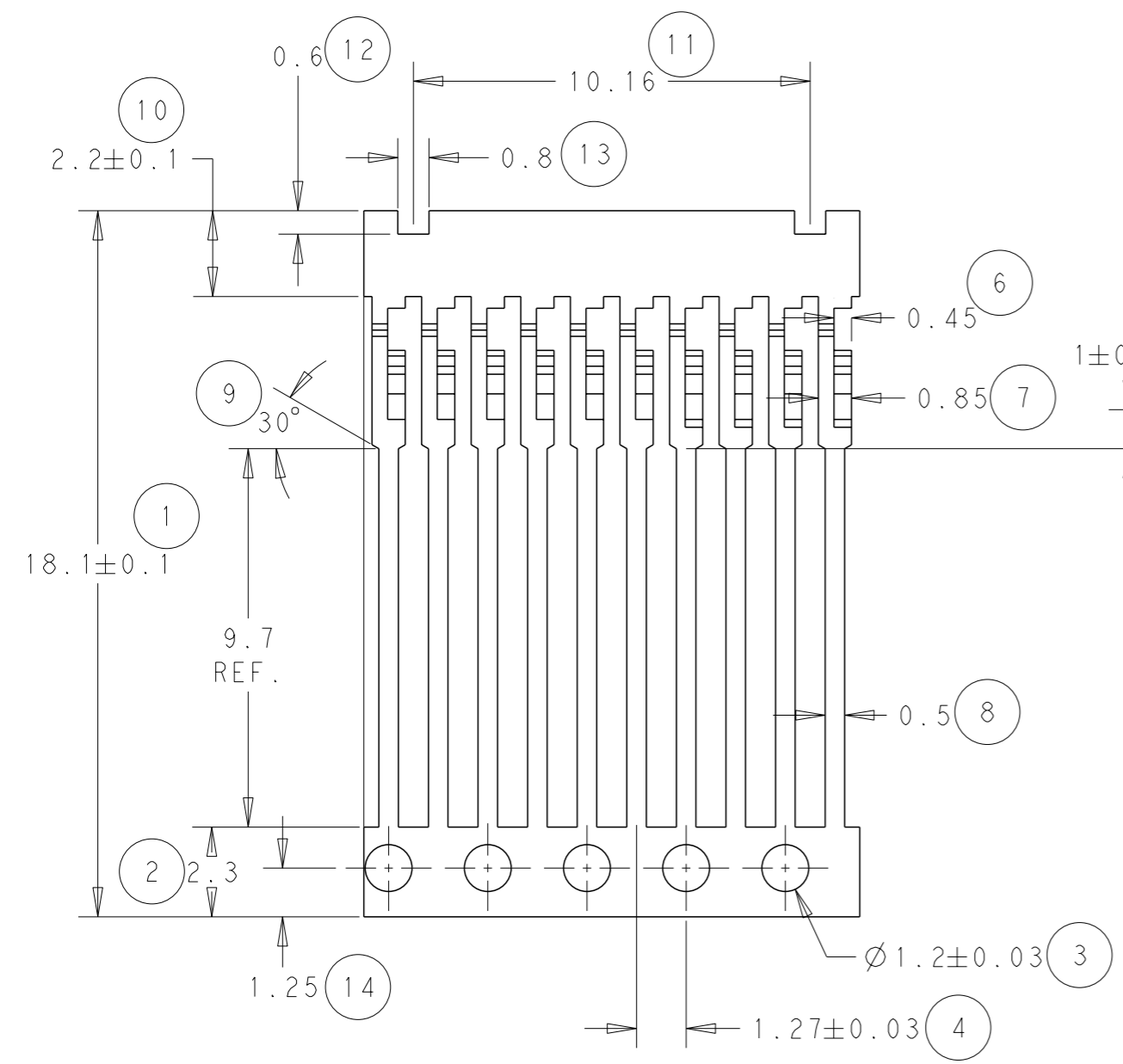
2

1

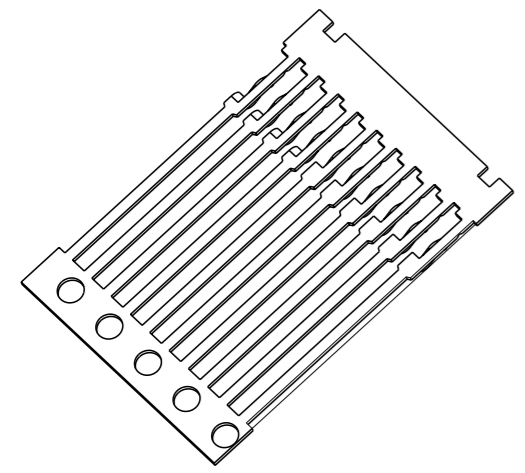
THIS DRAWING IS UNPUBLISHED. RELEASED FOR PUBLICATION 2011

© COPYRIGHT 2011 TE CONNECTIVITY ALL RIGHTS RESERVED.

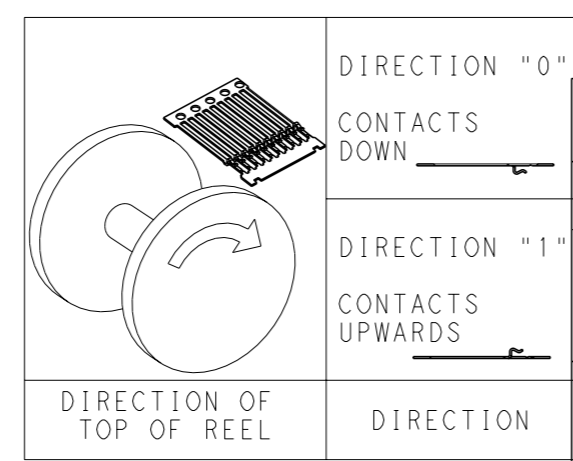
LOC	DIST	REVISIONS				
P	LTR	DESCRIPTION	DATE	DWN	APVD	
B	-	F	ECR-11-017591	24/08/11	JB	MG
		G	ECR-11-018763	12/09/11	JB	MG
		H	ECR-11-019621	11/10/11	JB	MG



NOTE  
 BOWING: AFTER UPPER TIE BAR REMOVAL- 1.5mm MAX. FOR 500mm  
 PITCH: AFTER UPPER TIE BAR REMOVAL- 1.27±0.1



SCALE 3:1



THIS DRAWING IS A CONTROLLED DOCUMENT.

DIMENSIONS:	TOLERANCES UNLESS OTHERWISE SPECIFIED:
mm	0 PLC ±-
	1 PLC ±-
	2 PLC ±0.05
	3 PLC ±-
	4 PLC ±-
	ANGLES ±0.5
MATERIAL	FINISH -
SEE ABOVE	

0	Ni & Sn	1544426-2
0	Sn	1544426-1
REELING	FINISH	PART NUMBER
DWN J. BRIGHT 24/08/11	TE Connectivity NAME SIL CONTACT - - SIZE A3 CAGE CODE 00779 DRAWING NO C-1544426 RESTRICTED TO - WEIGHT - CUSTOMER DRAWING SCALE NTS SHEET 1 OF 1 REV H	
CHK M. GREENER 24/08/11		
APVD D. PENNINGTON 24/08/11		
PRODUCT SPEC		
APPLICATION SPEC		