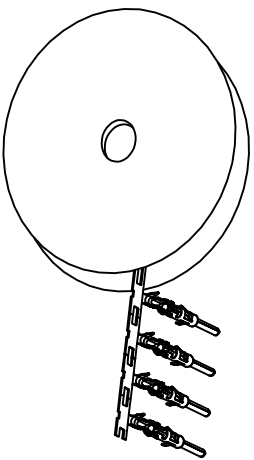


REVISIONS				
REV	ECO	DESCRIPTION	DATE	BY APPR
A1	-	RELEASED DRAWING	Jul-16-18	Flan Tommy

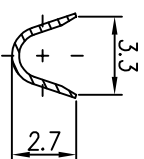
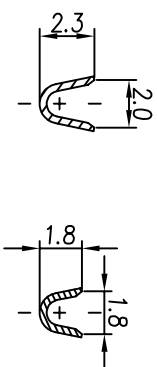
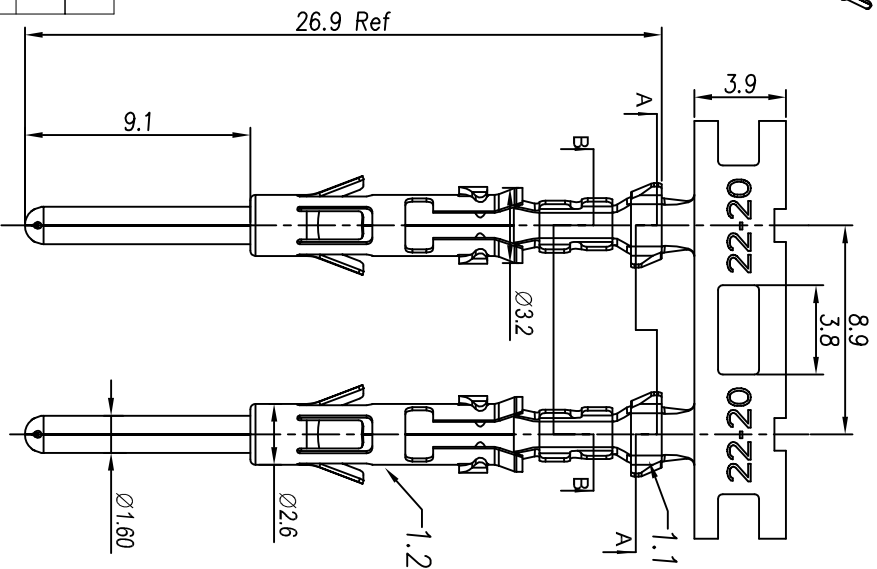


CONTACT ORIENTATION ON ROLL(3000PCS/COIL)

NOTES : (UNLESS OTHERWISE SPECIFIED)

- MATERIAL :
 - CONTACT BODY : COPPER ALLOY.
 - OUTER SPRING : STAINLESS STEEL.
- SPECIFICATIONS :
 - CURRENT RATING : 13A MAX.
 - TERMINATION TYPE : CRIMPING.
 - WIRE RANGE : 22~20AWG.
 - WIRE INSULATION DIA(MAX) : ϕ 2.5mm.
- RoHS COMPLIANT.
- ALL DIMENSIONS ARE FOR REFERENCE USE ONLY.
- AVAILABLE TOOLS :
 - HAND CRIMPER : MFX-3954.
 - CRIMP APPLICATOR : MFX-3957.
 - EXTRACTION TOOL : QXRT16.

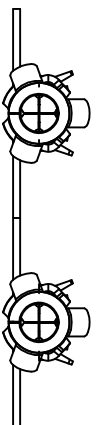
P/N	CONTACT PLATING(MATING AREA)
SP20M2T	TIN PLATING OVER NICKEL.
SP20M2N	NICKEL PLATING OVER COPPERIZE.
SP20M2F	GOLD FLASH PLATING OVER NICKEL.
SP20M2G5	5 μ "GOLD PLATING OVER NICKEL.
SP20M2G10	10 μ "GOLD PLATING OVER NICKEL.
SP20M2G15	15 μ "GOLD PLATING OVER NICKEL.
SP20M2G30	30 μ "GOLD PLATING OVER NICKEL.



SECTION A-A

SECTION B-B

QUANTITY	PART NUMBER	DESCRIPTION	ITEM
MATERIALS LIST			
UNLESS OTHERWISE SPECIFIED 1) All dimensions are in millimeters. 2) Tolerances are as follows: 1 PL DEC 20.30 Fractions .1"=1/4 3 PL DEC 20.08 Fractions .1"=1/4 3) Note reference = Δ			
PROCESS SPECIFICATIONS: MATERIAL SPECIFICATIONS: TEST SPECIMENS SURFACE FINISH: SPECIFICATIONS AND PERFORMANCE DATA: THE MANUFACTURING CORPORATION NO RIGHTS OF REPRODUCTION ARE GRANTED. ALL MANUFACTURING VARIATIONS.		CUSTOMER: Tommy APPROVAL: Jul-16-18 ECO-MATE PIN CONTACT. STAMPED.22-20AWG.SIZE 16	
SIGNATURES DRAWN: Flan CHECKED: Tom ENGINEER: Tommy		DATE Jul-16-18 Jul-16-18 Jul-16-18	
SCALE: NONE SIZE: B TYPE: C-		SHEET: 1 OF 1 REVISION: A1	



Amphenol

Sine Systems - www.amphenol-sine.com
 44724 Morley Drive
 Clinton Township, MI 48036

ECO-MATE PIN CONTACT.
 STAMPED.22-20AWG.SIZE 16