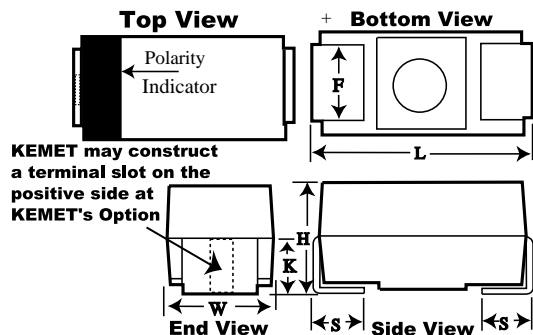


KEMET Part Number: T491C686M010ZG **Obsolete**
(B45198H2686M309)

B45198H, Tantalum, MnO2 Tantalum, 68 uF, 20%, 10 V, SMD, Molded, 6032, Height Max = 2.8mm



General Information	
Supplier:	KEMET
Series:	B45198H
Dielectric:	MnO2 Tantalum
Style:	SMD Chip
Description:	SMD, Molded
RoHS:	Yes
Termination:	Gold
Miscellaneous:	Closest Kemet Original Series Equivalent: T491C686M010AG
Notes:	Old Part Number [Obsolete] Was B45198H2686M309

Dimensions	
Footprint	6032
L	6mm +/-0.3mm
W	3.2mm +/-0.3mm
H	2.5mm +/-0.3mm
S	1.3mm +/-0.3mm
F	2.2mm +/-0.1mm
K	1.8mm TYP

Specifications	
Capacitance:	68 uF
Capacitance Tolerance:	20%
Voltage DC:	10 VDC (85C), 6.7 VDC (125C)
Temperature Range:	-55/+125C
Rated Temperature:	85C
Dissipation Factor:	6%
Failure Rate:	N/A
Leakage Current:	6.8 uA

Packaging Specifications	
Packaging:	T&R, 178mm
Packaging Quantity:	750