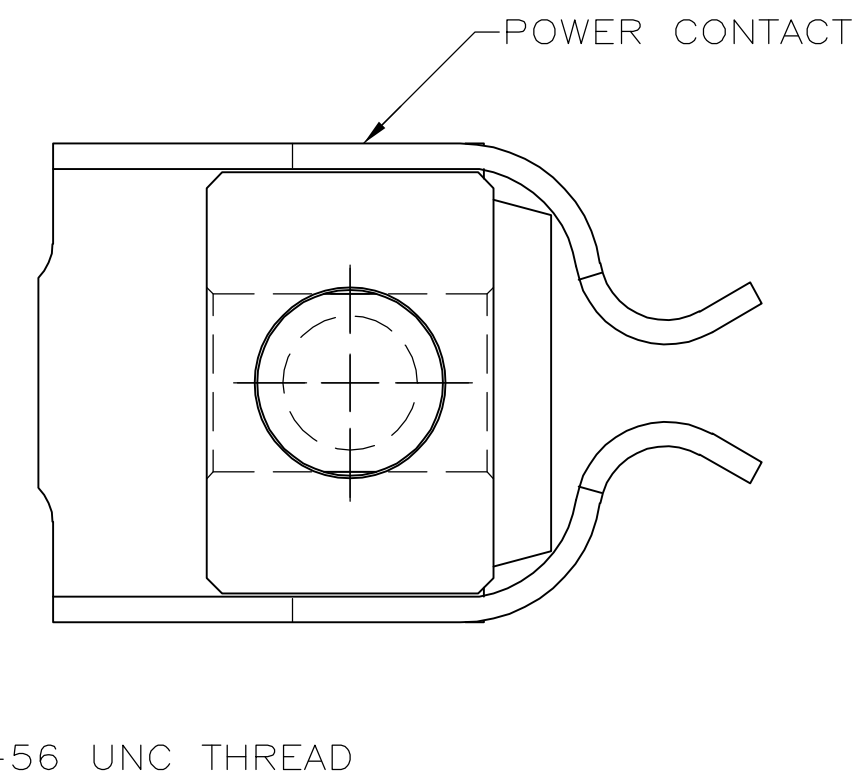
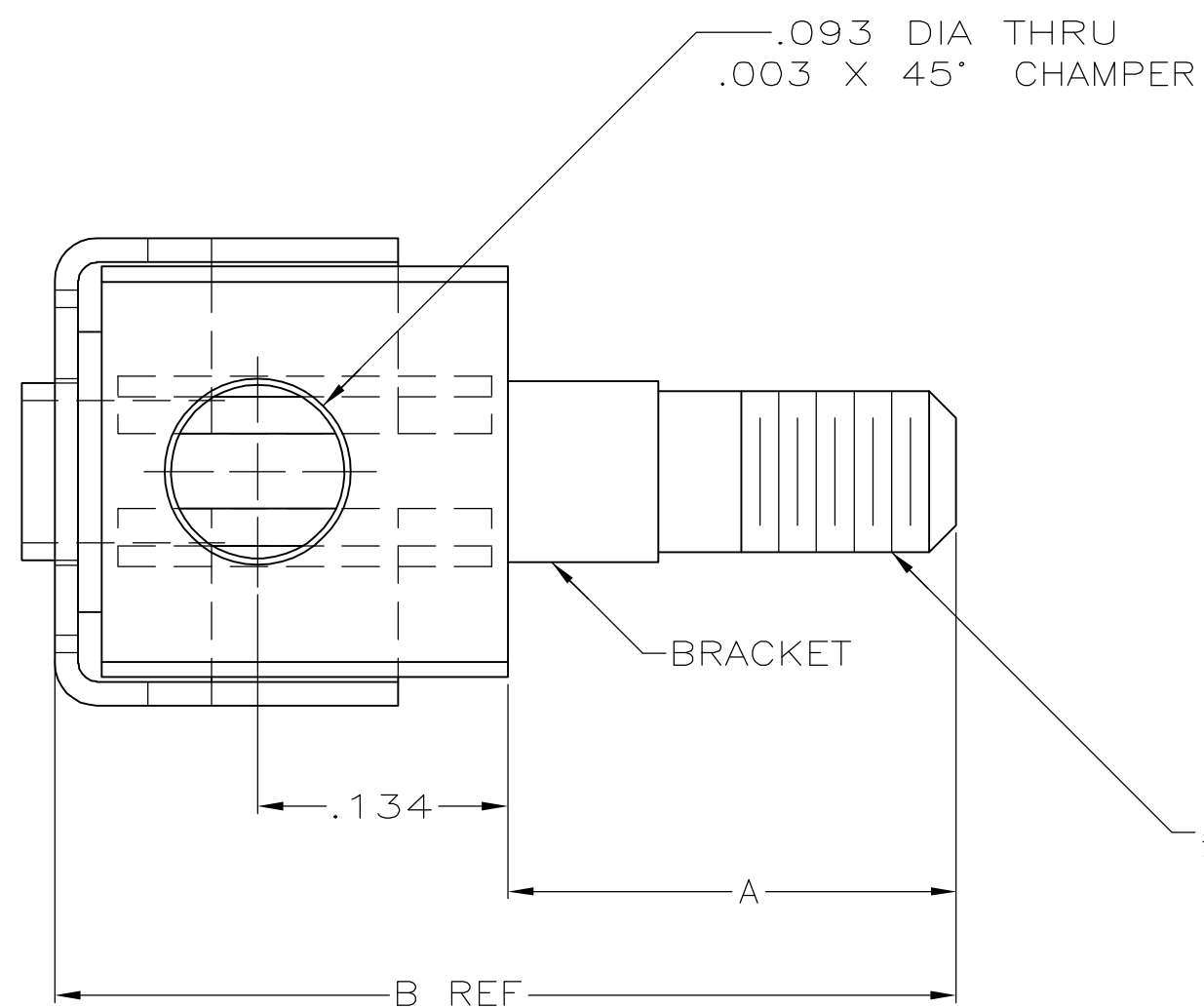
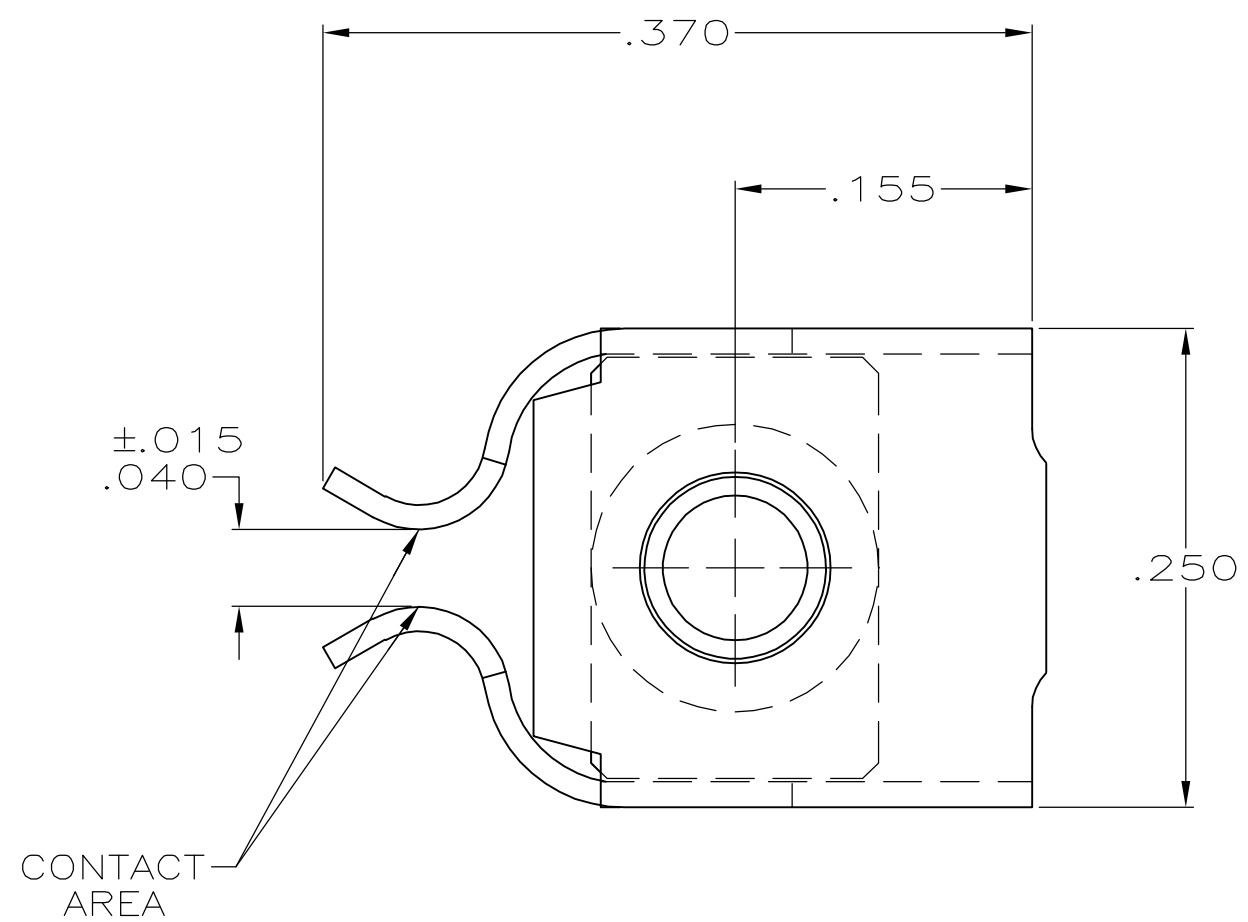


THIS DRAWING IS UNPUBLISHED. RELEASED FOR PUBLICATION
 © COPYRIGHT BY TYCO ELECTRONICS CORPORATION. ALL RIGHTS RESERVED.

LOC	DIST	REVISIONS			
P	LTR	DESCRIPTION	DATE	DWN	APVD
AD	25	G	REVISED PER EC 0512-0552-04	29SEP05	JDP DD



	.438	.185	3	533065-7
	.478	.225	3	533065-6
OBSOLETE	.565	.312	3	533065-5
	.543	.290	3	533065-4
	-	-	-	-
OBSOLETE	.678	.425	4	533065-2
OBSOLETE	.678	.425	3	533065-1
	B	A	FINISH	PART NO

- 1 CONTACT MATERIAL: PHOSPHOR BRONZE.
- 2 BRACKET MATERIAL: BRASS.
- 3 FINISH: .000050 -.000100 NICKEL UNDERPLATE ALL OVER, .000030 GOLD IN CONTACT AREA, GOLD FLASH ON REMAINDER.
- 4 FINISH: .000050 -.000100 NICKEL UNDERPLATE ALL OVER, .000050 GOLD IN CONTACT AREA, GOLD FLASH ON REMAINDER.

THIS DRAWING IS A CONTROLLED DOCUMENT.

DWN	DAVID LEE HOFFMAN	12/11/89	Tyco Electronics Corporation Harrisburg, PA 17105-3608
CHK	G. SKIPPER	1-31-94	
APVD	-	-	NAME
DIMENSIONS: mm [INCHES]			PRODUCT SPEC
TOLERANCES UNLESS OTHERWISE SPECIFIED:			APPLICATION SPEC
0 PLC ± - 1 PLC ± - 2 PLC ± - 3 PLC ± .005 4 PLC ± - ANGLES ± - FINISH 3			AMP-HDI SERIES 100 GUIDE PIN POWER CONTACT ASSEMBLY, FOR CENTER GUIDE
MATERIAL 1 2			SIZE A2 CAGE CODE 00779 DRAWING NO C=533065 RESTRICTED TO -
CUSTOMER DRAWING			SCALE 10:1 SHEET 1 of 1 REV G