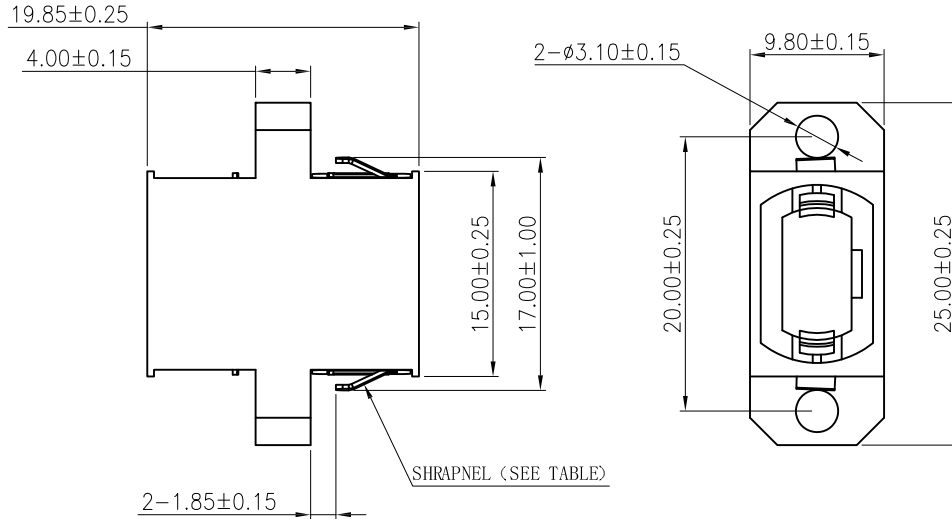
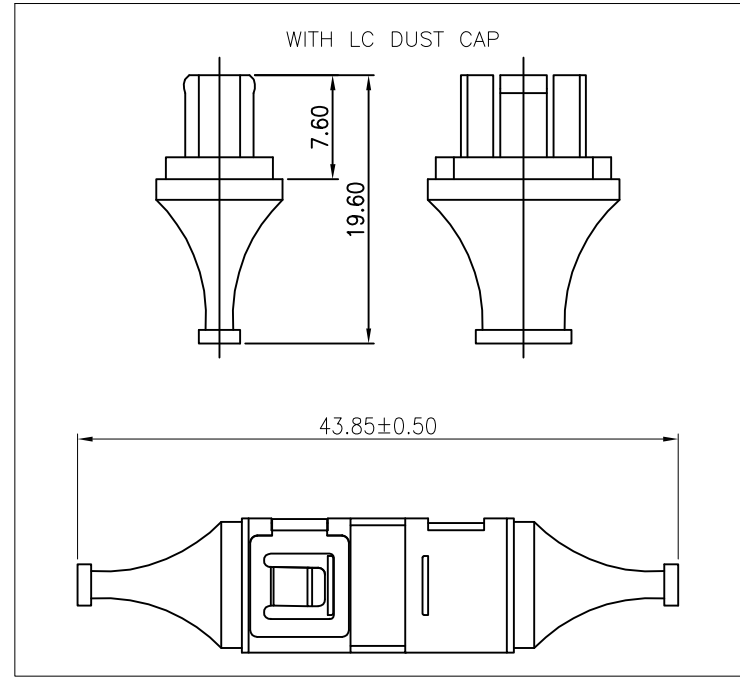
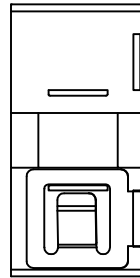
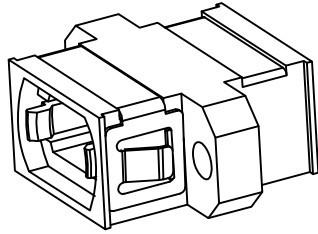


APPROVED: _____
 DATE: _____ TITLE: _____

Rev	AWO #	Description	Date	Appr
-		RELEASED	9/9/20	



OPMF1ANNC1NC	PEI RED	W/O SHRAPNEL
OPMF1ANNC1PC	PEI RED	W/SHRAPNEL
OPMD1ANNC1NC	PEI Water blue	W/O SHRAPNEL
OPMD1ANNC1PC	PEI Water blue	W/SHRAPNEL
OPMB1ANNC1NC	PEI Blue	W/O SHRAPNEL
OPMB1ANNC1PC	PEI Blue	W/SHRAPNEL
OPMA1ANNC1NC	PEI Green	W/O SHRAPNEL
OPMA1ANNC1PC	PEI Green	W/SHRAPNEL
Part name	Material, Color	SHRAPNEL

SPECIFICATIONS:

Material: PEI, rated UL 94V-0, Color: See Chart
 Electrical:
 Standards of IEC,EIA/TIA, Telcordia
 Repeatability: 500 cycles min
 Insertion loss: 0.2dB max
 Temperature Rating:
 Operating temperature: -40°C to +75°C
 Environmental:
 Lead free, RoHS compliant.



UNLESS OTHERWISE SPECIFIED
 ALL DIMENSIONS ARE MILLIMETERS
 TOLERANCES: EXCEPT AS NOTED
 MM ANGLE
 X. ± 0.35 X.* ± 2°
 .X ± 0.30 .X* ± 1°
 .XX ± 0.25 .XX* ± 0.5°
 .XXX ± 0.15 .XXX* ± 0.5°

ADAM TECH INTERCONNECTS
 909 Rahway Avenue,
 Union, NJ 07083
 Phone: 908-687-5000
 Fax: 908-687-5710

APPROVALS		DATE
DRAWN	LH	9/9/20
CHECKED	JL	9/9/20
APPROVED		

TITLE OPTICAL MPO ADAPTERS, 1 PORTS, LONG-EARED, WITH MPO DUST CAP		
SIZE X	PART NO. OPMX1ANNC1XC	REV. -
REF: S00005C	SCALE: NTS	SHEET 1 OF 1