

4

3

2

1

THIS DRAWING IS UNPUBLISHED.

RELEASED FOR PUBLICATION

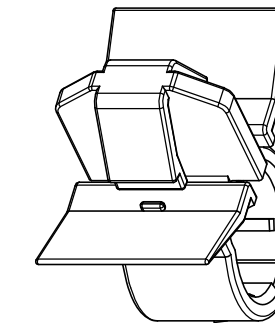
20

© COPYRIGHT 20 BY TYCO ELECTRONICS CORPORATION. ALL RIGHTS RESERVED.

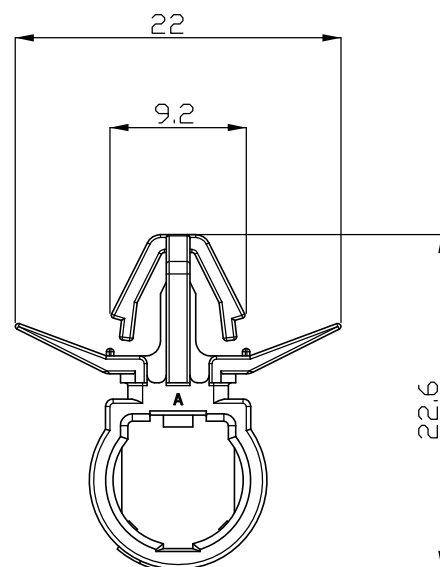
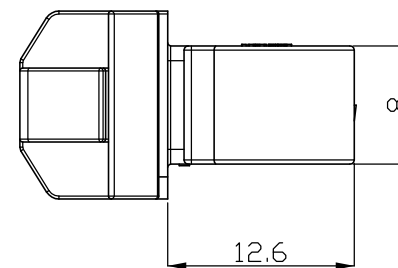
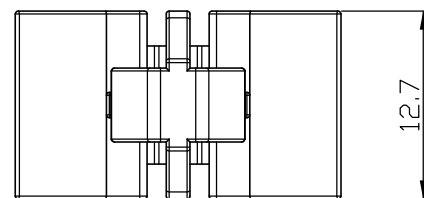
LOC	DIST	REVISIONS			
P	LTR	DESCRIPTION	DATE	DWN	APVD
DS	-	RELEASE	23 JUN'10	SJ	JK

D

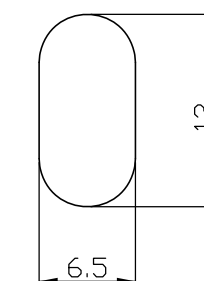
D



ISOMETRIC VIEW



PANEL HOLE



PANEL THICKNESS : 1.5mm

C

C

B

B

NOTE:

- 1. GENERAL TOLERANCE : ±0.3, ±0.3°
- 2. THE MATING PLUG HSG P/N : 1897374

2005038-2	PA66	BLACK
P/N	MATERIAL	COLOR

<small>THIS DRAWING IS A CONTROLLED DOCUMENT FOR TYCO ELECTRONICS CORPORATION IT IS SUBJECT TO CHANGE AND THE CONTROLLING ENGINEERING ORGANIZATION SHOULD BE CONTACTED FOR THE LATEST REVISION.</small>		DWN	SJ CHOI	-	 Tyco Electronics Kyungsan, Korea
DIMENSIONS:		CHK	KT LIM	-	
mm		APVD	JK SONG	-	
		PRODUCT SPEC	-	-	
TOLERANCES UNLESS OTHERWISE SPECIFIED:		APPLICATION SPEC	-	-	NAME
0 PLC ±-		WEIGHT	-	-	SIZE
1 PLC ±0.3		CUSTOMER DRAWING			CAGE CODE
2 PLC ±0.10		SCALE 2:1			DRAWING NO
3 PLC ±0.001		SHEET 1 OF 1			RESTRICTED TO
4 PLC ±0.0001		REV A			-
ANGLES ±		A300779			©=2005038
FINISH		SCALE 2:1			SHEET 1 OF 1
SEE TABLE		REV A			-
SEE TABLE		SCALE 2:1			SHEET 1 OF 1

A

A