

## CO/PABX Polarity Reversal Subscriber Line Interface Circuit

April 1997

### Features

- Normal and Reversed DC Feed
- Current Limited Loop Feed
- Ringing, Test-In, and Test-Out Relay Drivers
- Thermal Shutdown Protection with Alert Signal
- On-Hook Transmission
- Selectable Transmit and Receive Gain Setting
- Selectable 2-Wire Impedance Matching
- Zero Crossing Ring Trip Detection and Ring Relay Release
- Parallel Digital Control and Status Monitoring
- Protection Resistors Inside Feedback Loop Allows the Use of PTC Devices Without Impact on Longitudinal Balance
- Thermal Management Features

### Applications

- CO/PABX Line Circuits

### Description

The HC5520 is a Monolithic Subscriber Line Interface Circuit (SLIC) for Analog Subscriber Line cards in Central Office and PABX switches.

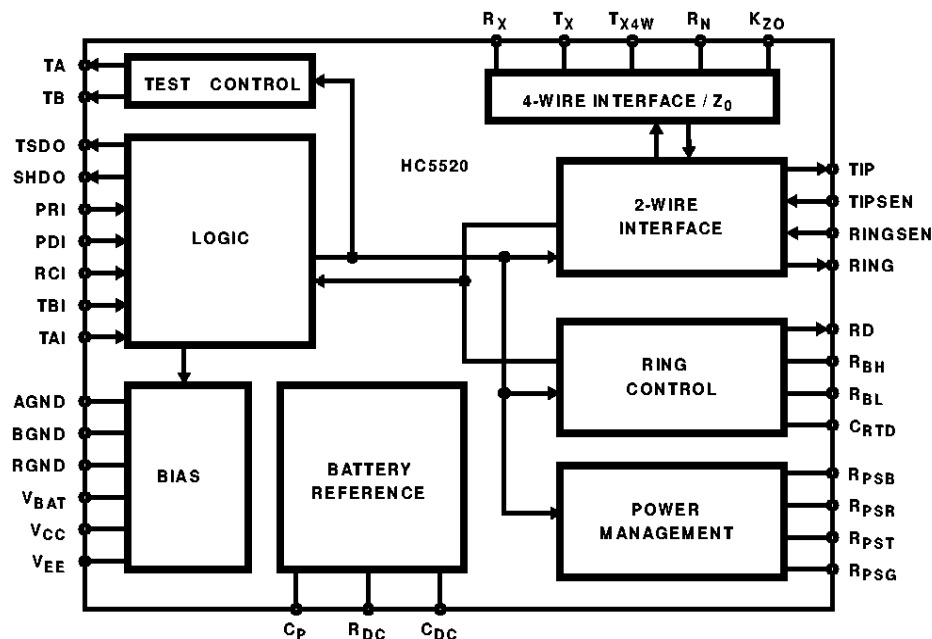
The HC5520 provides a comprehensive set of features for these applications including loop reversal, zero crossing ringing relay operation, long loop drive and a mutually independent setting of the receive and transmit gains, and the two wire impedance synthesis. Advanced power management features combined with a small 44 lead MQFP package allow significant board space to be freed up for additional line circuits.

The HC5520 is fabricated in a Harris state-of-the-art Bonded Wafer High Voltage process, providing freedom from traditional J1 latch-up phenomena without the use of additional power supply filtering components or substrate tie connections. The very low parasitics and leakages associated with this process provide an exceptionally flat performance over frequency and temperature.

### Ordering Information

PART NUMBER	TEMP. RANGE (°C)	PACKAGE	PKG. NO.
HC5520CQ	0 to 70	44 Ld MQFP	Q44.10x10
HC5520CM	0 to 70	44 Ld PLCC	N44.65

### Block Diagram



# HC5520

## Absolute Maximum Ratings (Note 1)

V <sub>CC</sub> to AGND	7V
V <sub>EE</sub> to AGND	-7V
V <sub>BAT</sub> to BGND	80V
AGND to BGND	±3V
Digital Pins to AGND	-0.5V to 7V
ESD Withstand (Human Body Model)	500V

## Operating Conditions

Temperature Range	
HC5520CQ	0°C to 70°C
HC5520CM	0°C to 70°C

## Thermal Information

Thermal Resistance (Typical, Note 1)	$\theta_{JA}$ (°C/W)
MQFP Package	66
PLCC Package	46
Maximum Power Dissipation	
MQFP package	1.21W
PLCC Package	1.74W
Maximum Junction Temperature	150°
Maximum Storage Temperature Range	-65°C to 150°C
Maximum Lead Temperature (Soldering 10s)	300°C
(Lead tips only)	

**CAUTION:** Stresses above those listed in "Absolute Maximum Ratings" may cause permanent damage to the device. This is a stress only rating and operation of the device at these or any other conditions above those indicated in the operational sections of this specification is not implied.

## NOTES:

1.  $\theta_{JA}$  is measured with the component mounted on an evaluation PC board in free air.

## Recommended Operating Conditions

For maximum integrity, nominal operating conditions should be selected so that operation is always within the following ranges:

PARAMETER	SYMBOL	CONDITIONS	MIN	TYP	MAX	UNITS
Battery Supply	V <sub>BAT</sub>		-42	-48	-58	V <sub>DC</sub>
Positive Supply	V <sub>CC</sub>		4.75	5	5.25	V <sub>DC</sub>
Negative Supply	V <sub>EE</sub>		-4.75	-5	-5.25	V <sub>DC</sub>
Ringing Supply	V <sub>RINGING</sub>		60	75	90	V <sub>RMS</sub>
Loop Resistance	R <sub>L</sub>		200	-	1800	Ω
Ambient Temperature	T <sub>A</sub>		0	25	70	°C
Die Temperature	T <sub>D</sub>		-	-	150	°C

**Electrical Specifications** Unless Otherwise Specified: Typical Parameters are at T<sub>A</sub> = 25°C, V<sub>CC</sub> = +5V, V<sub>EE</sub> = -5V, V<sub>BAT</sub> = -48V, AGND = BGND = RGND = 0V, Min-Max Parameters are Over Power Supply and Operating Temperature Range. All Transmission Parameters are Specified at 600Ω 2-Wire Terminating Impedance with 0dB transmit and receive gain.

PARAMETER	CONDITIONS					MIN	TYP	MAX	UNITS
	MODE	LOAD	V <sub>BAT</sub>	OTHER CONDITIONS	FREQ/ LEVEL				
<b>POWER SUPPLY CURRENTS (Figure 4)</b>									
I <sub>CC</sub>	normal	Open	-48V	V <sub>CC</sub> = 5V		5.0	8.0	11.0	mA
	reverse					6.0	8.9	12.0	mA
	p'down					2.0	3.7	5.5	mA
I <sub>EE</sub>	normal	Open	-48V	V <sub>EE</sub> = -5V		-6.0	-3.6	-2.0	mA
	reverse					-7.0	-4.9	-3.0	mA
	p'down					-3.0	-1.7	-0.7	mA
I <sub>BB</sub>	normal	Open	-48V	V <sub>CC</sub> = 5V, V <sub>EE</sub> = -5V		-7.0	-4.2	-2.0	mA
	reverse					-7.0	-4.0	-2.0	mA
	p'down					-1.0	-0.4	0.0	mA
<b>THERMAL SHUTDOWN</b>									
Thermal Shutdown Temperature, Die Temperature	normal		-48V			-	150	-	°C
reverse									
<b>BATTERY FEED CHARACTERISTICS - 2W VOLTAGES (Figure 4)</b>									
V <sub>TIP</sub>	normal	Open	-48V			-5.50	-4.16	-2.46	V
	reverse					-46.00	-43.60	-42.00	V

## HC5520

**Electrical Specifications** Unless Otherwise Specified: Typical Parameters are at  $T_A = 25^\circ\text{C}$ ,  $V_{CC} = +5\text{V}$ ,  $V_{EE} = -5\text{V}$ ,  $V_{BAT} = -48\text{V}$ ,  $AGND = BGND = RGND = 0\text{V}$ , Min-Max Parameters are Over Power Supply and Operating Temperature Range. All Transmission Parameters are Specified at  $600\Omega$  2-Wire Terminating Impedance with 0dB transmit and receive gain. **(Continued)**

PARAMETER	CONDITIONS					MIN	TYP	MAX	UNITS
	MODE	LOAD	$V_{BAT}$	OTHER CONDITIONS	FREQ/ LEVEL				
$V_{RING}$	normal	Open	-48V			-45.54	-43.80	-42.50	V
	reverse	Open	-48V			-6.00	-4.26	-2.00	V
$V_{TIP}$	normal	Open	-42V			-5.00	-3.68	-2.46	V
	reverse	Open	-42V			-40.00	-38.12	-37.00	V
$V_{RING}$	normal	Open	-42V			-39.54	-38.34	-37.00	V
	reverse	Open	-42V			-5.00	-3.78	-2.00	V
<b>BATTERY FEED CHARACTERISTICS - LOOP CURRENT (Figure 5)</b>									
Normal Loop Current	normal	1800 $\Omega$	-42V			14.5	16.5	19.0	mA
	reverse	1800 $\Omega$	-42V			14.5	16.3	19.0	mA
Normal Loop Current	normal	1800 $\Omega$	-48V			18.0	18.8	22.0	mA
	reverse	1800 $\Omega$	-48V			18.0	18.6	22.0	mA
Short Circuit Loop Current Limit	normal	100 $\Omega$	-48V			22.0	26.4	42.0	mA
	reverse	100 $\Omega$	-48V			22.0	27.0	42.0	mA
<b>LOOP SUPERVISION - SWITCH HOOK DETECTION (Figure 6)</b>									
Off-Hook Detection	normal		-48V			2.4K	4.6K	9K	$\Omega$
reverse			-48V						
<b>LOOP SUPERVISION - DIAL PULSE DISTORTION (Figure 7)</b>									
Dial Pulse Distortion	normal	100 $\Omega$	-58V	25 $^\circ\text{C}$		-	0.1	3	%
Dial Pulse Distortion	normal	1800 $\Omega$	-42V	25 $^\circ\text{C}$		-	0.1	3	%
<b>LOOP SUPERVISION - RING TRIP DETECTION (Figure 8)</b>									
Ring Trip Detect	Ringing	1800 $\Omega$ +1REN	-42V 60V <sub>RMS</sub>			-	-	150	ms
Ring Trip Non-Detect	Ringing	3REN// 20K $\Omega$	-58V 90V <sub>RMS</sub>			20K	-	-	$\Omega$
<b>LOOP SUPERVISION - POLARITY REVERSAL TIME (Figure 9)</b>									
Polarity Reversal Time	normal to reverse	1800 $\Omega$	-42V			-	0.04	10	ms
Polarity Reversal Time	reverse to normal	1800 $\Omega$	-42V			-	0.04	10	ms
<b>LOOP SUPERVISION - DIGITAL INTERFACE</b>									
Input Low Voltage, $V_{IL}$	All Digital Inputs					-	-	0.8	V
Input High Voltage, $V_{IH}$	All Digital Inputs					2.0	-	-	V
Input Low Current, $I_{IL}$	$AGND < V_{IN} < V_{IL}$					-20	-	-	$\mu\text{A}$
Input High Current, $I_{IH}$	$V_{IH} < V_{IN} < V_{CC}$					-	0	+10	$\mu\text{A}$
Output Low Voltage, $V_{OL}$	1 LSTTL Load					-	-	0.4	V
Output High Voltage, $V_{OH}$	1 LSTTL Load					2.4	-	-	V
Relay Driver Output Low Voltage, $V_{OL}$	$V_{CC} = 4.75\text{V}$ , Load = 35mA					-	0.4	0.8	V
Relay Driver Output High Current, $I_{OH}$	$V_{CC} = 5.25\text{V}$					-	-	10	$\mu\text{A}$

## HC5520

**Electrical Specifications** Unless Otherwise Specified: Typical Parameters are at  $T_A = 25^\circ\text{C}$ ,  $V_{CC} = +5\text{V}$ ,  $V_{EE} = -5\text{V}$ ,  $V_{BAT} = -48\text{V}$ ,  $AGND = BGND = RGND = 0\text{V}$ , Min-Max Parameters are Over Power Supply and Operating Temperature Range. All Transmission Parameters are Specified at  $600\Omega$  2-Wire Terminating Impedance with 0dB transmit and receive gain. **(Continued)**

PARAMETER	CONDITIONS					MIN	TYP	MAX	UNITS
	MODE	LOAD	$V_{BAT}$	OTHER CONDITIONS	FREQ/ LEVEL				
<b>TRANSMISSION PARAMETERS - 4-WIRE TO 2-WIRE RECEIVE GAIN (Figure 10)</b>									
Absolute Receive Gain, ARG	normal reverse	600 $\Omega$	-48V		1020Hz 0dBm	-0.2	0	+0.2	dB
<b>TRANSMISSION PARAMETERS - 4-WIRE TO 2-WIRE FREQUENCY RESPONSE (Figure 10)</b>									
Receive Frequency Response Relative to ARG	normal reverse	600 $\Omega$	-48V	300 to 3.4kHz	0dBm	-0.15	0	+0.15	dB
<b>TRANSMISSION PARAMETERS - 4-WIRE TO 2-WIRE GAIN TRACKING (Figure 10)</b>									
Receive Gain Tracking Relative to ARG	normal reverse	600 $\Omega$	-48V	+3 to -40dBm0 -40 to -50dBm0	1020Hz	-0.12 -	0 0	+0.12 -	dB dB
<b>TRANSMISSION PARAMETERS - 4-WIRE TO 2-WIRE SIGNAL TO DISTORTION (Figure 10)</b>									
Receive Signal to Distortion and Noise	normal reverse	600 $\Omega$	-48V	+3 to -40dBm0 -40 to -50dBm0	1020Hz	33 -	38 33	- -	dB dB
<b>TRANSMISSION PARAMETERS - 4-WIRE TO 2-WIRE IDLE CHANNEL NOISE (Figure 10)</b>									
Idle Channel Noise	normal reverse	600 $\Omega$	-48V	P-Message		73	78	-	dBm0P
<b>TRANSMISSION PARAMETERS - 2-WIRE TO 4-WIRE TRANSMIT GAIN (Figure 11)</b>									
Absolute Transmit Gain, ATG	normal reverse	600 $\Omega$	-48V		1020Hz 0dBm	-0.2	-0.07	+0.2	dB
<b>TRANSMISSION PARAMETERS - 2-WIRE TO 4-WIRE FREQUENCY RESPONSE (Figure 11)</b>									
Transmit Frequency Response Relative to ATG	normal reverse	600 $\Omega$	-48V	300 to 3.4kHz	0dBm	-0.2	-0.04	+0.2	dB
<b>TRANSMISSION PARAMETERS - 2-WIRE TO 4-WIRE GAIN TRACKING (Figure 11)</b>									
Transmit Gain Tracking Relative to ATG	normal reverse	600 $\Omega$	-48V	+3 to -40dBm0 -40 to -50dBm0	1020Hz	-0.12 -	0 0.02	+0.12 -	dB dB
<b>TRANSMISSION PARAMETERS - 2-WIRE TO 4-WIRE SIGNAL TO DISTORTION (Figure 11)</b>									
Transmit Signal to Distortion and Noise	normal reverse	600 $\Omega$	-48V	+3 to -40dBm0 -40 to -50dBm0	1020Hz	33 -	38 33	- -	dB dB
<b>TRANSMISSION PARAMETERS - 2-WIRE TO 4-WIRE IDLE CHANNEL NOISE (Figure 11)</b>									
Idle Channel Noise	normal reverse	600 $\Omega$	-48V	P Message		73	78	-	dB
<b>TRANSMISSION PARAMETERS - 2-WIRE RETURN LOSS (Figure 12)</b>									
2-Wire Return Loss	normal reverse	600 $\Omega$	-48V	$R_N = 6490\Omega$ $K_{ZO} = 15400\Omega$	1020Hz 0dBm	30	45	-	dB
<b>TRANSMISSION PARAMETERS - 4-WIRE TO 4-WIRE INSERTION LOSS (Figure 13)</b>									
4-Wire to 4-Wire Insertion Loss	normal reverse	600 $\Omega$	-48V		1020Hz 0dBm	-0.2	-0.02	+0.2	dB
<b>TRANSMISSION PARAMETERS - TRANSHYBRID BALANCE (Figure 13)</b>									
Transhybrid Balance	normal reverse	600 $\Omega$	-48V		1020Hz 0dBm	30	38	-	dB

## HC5520

**Electrical Specifications** Unless Otherwise Specified: Typical Parameters are at  $T_A = 25^\circ\text{C}$ ,  $V_{CC} = +5\text{V}$ ,  $V_{EE} = -5\text{V}$ ,  $V_{BAT} = -48\text{V}$ ,  $AGND = BGND = RGND = 0\text{V}$ , Min-Max Parameters are Over Power Supply and Operating Temperature Range. All Transmission Parameters are Specified at  $600\Omega$  2-Wire Terminating Impedance with 0dB transmit and receive gain. **(Continued)**

PARAMETER	CONDITIONS					MIN	TYP	MAX	UNITS
	MODE	LOAD	$V_{BAT}$	OTHER CONDITIONS	FREQ/ LEVEL				
<b>TRANSMISSION PARAMETERS - 4-WIRE TO 4-WIRE ABSOLUTE DELAY</b>									
Absolute Delay	normal reverse	600 $\Omega$	-48V		1020Hz 0dBm		1.5		$\mu\text{s}$
<b>TRANSMISSION PARAMETERS - OVER LOAD LEVEL (Figures 14, 15)</b>									
Receive Over Load Level at 4W and 2W	normal reverse	600 $\Omega$	-42V	1% THD	1020Hz	2.5	-	-	$V_{PEAK}$
Transmit Over Load Level at 2W and 4W	normal reverse	600 $\Omega$	-42V	1% THD	1020Hz	2.15	-	-	$V_{PEAK}$
<b>TRANSMISSION PARAMETERS - LONGITUDINAL IMPEDANCE (Figure 16)</b>									
Longitudinal Impedance per Wire	normal reverse	-	-48V		40Hz to 100Hz	-	50	-	$\Omega$
<b>TRANSMISSION PARAMETERS - LONGITUDINAL CURRENT CAPABILITY (Figure 17)</b>									
Longitudinal Current Limit per Wire	normal reverse	-	-42V	Triangle Waveform	40Hz to 100Hz	15	-	-	$\text{mA}_{PEAK}$
<b>TRANSMISSION PARAMETERS - LONGITUDINAL BALANCE (Figure 18)</b>									
2-Wire Longitudinal Balance	normal	368 $\Omega$ +	-48V		300Hz	42	62.2	-	dB
	reverse	368 $\Omega$			1020Hz	48	58.7		dB
					3400Hz	48	69.5		dB
4-Wire Longitudinal Balance	normal	368 $\Omega$ +	-48V		300Hz	42	66.0	-	dB
	reverse	368 $\Omega$			1020Hz	48	67.2		dB
					3400Hz	48	77.0		dB
<b>POWER SUPPLY REJECTION RATIO (Figure 19)</b>									
PSRR $V_{BAT}$ To 4-Wire	normal reverse	600 $\Omega$	-48V	$V_{BAT} = -48\text{V} + 100\text{mV}_{RMS}$	300Hz	30	42	-	dBc
PSRR $V_{BAT}$ To 2-Wire	normal reverse	600 $\Omega$	-48V	$V_{BAT} = -48\text{V} + 100\text{mV}_{RMS}$	300Hz	30	42	-	dBc
PSRR $V_{CC}$ To 4-Wire	normal reverse	600 $\Omega$	-48V	$V_{CC} = 4.75\text{V} + 100\text{mV}_{RMS}$	300Hz	20	33	-	dBc
PSRR $V_{CC}$ To 2-Wire	normal reverse	600 $\Omega$	-48V	$V_{CC} = 4.75\text{V} + 100\text{mV}_{RMS}$	3420Hz	20	24	-	dBc
PSRR $V_{EE}$ To 4-Wire	normal reverse	600 $\Omega$	-48V	$V_{EE} = -4.75\text{V} + 100\text{mV}_{RMS}$	2500Hz	20	30	-	dBc
PSRR $V_{EE}$ To 2-Wire	normal reverse	600 $\Omega$	-48V	$V_{EE} = -4.75\text{V} + 100\text{mV}_{RMS}$	2500Hz	20	32	-	dBc

## Circuit Operation and Design Information

The HC5520 is a current feed voltage sense Subscriber Line Interface Circuit (SLIC). It provides extensive digitally controlled supervisory functions, DC loop feed functions, and user selectable 2 wire impedance matching functions.

### Modes of Operation

The HC5520 has seven possible modes of operation. These modes of operation are either controlled by the digital control inputs to the SLIC or controlled by the loop status output of the SLIC. The modes of operation and the function of the digital control inputs are given in Table 1.

TABLE 1.

OPERATION	MODE	SLIC FUNCTION	CONTROL INPUTS
Normal Loop Feed	Normal	Normal	PRI = High
Reverse Loop Feed	Reverse	Normal	PRI = Low
Loop Powerdown	P'down	Loop power down	PDI = Low
Ringing	Ringing	Ring trip detection only	RCI = Low
Test out	Test-out	Normal	TAI = Low
Test in	Test-in	Normal	TBI = Low
Thermal Shut Down	TSD	Loop Powerdown	

#### Normal Loop Feed Mode

When PDI = 1, setting the PRI to a logic "1" places the SLIC in the Normal Loop Feed mode. This is the normal operational mode of the SLIC. With a nominal battery supply of -48V and an on-hook condition, the voltage at the Tip terminal will be approximately 8% of the battery supply voltage. In this case the Tip voltage is about -3.8V. Similarly, the voltage at the Ring terminal will be approximately 92% of the battery supply voltage or about -44.2V.

In the Normal mode the Tip voltage is more positive than the Ring voltage; therefore, in an off-hook condition, the DC loop current flows from Tip to Ring. The loop feeding characteristics will be given in the battery feed section. All of the specifications applicable to this mode of operation are provided in the electrical specifications portion of the HC5520 data sheet.

#### Reverse Loop Feed Mode

When PDI = 1, setting the PRI to a logic "0" places the SLIC in the Reverse Loop Feed mode. In this mode, the Ring terminal voltage is more positive than the Tip terminal voltage. Thus, in an off-hook condition, the DC loop current flows from Ring to Tip. The loop feeding characteristics in the Reverse mode are the same as in the Normal mode. All of

the specifications applicable to this mode of operation are provided in the electrical specifications portion of the HC5520 data sheet.

#### Battery Feed

The HC5520 is designed to provide a 300Ω resistive feed (150Ω per wire) for long loop applications. It will supply a DC loop feed current of 18mA into an 1800Ω loop at the nominal battery supply of -48V. At shorter loop lengths or higher battery supply voltages, the DC feed is current-limited to nominally 26mA in order to conserve power. For internal chip power management purposes, external power sharing resistors are used to provide some of the DC loop current. This allows a substantial amount of the power to be dissipated off the chip, particularly in short loop applications. A typical loop feeding characteristic for Normal and Reverse Loop Feed Modes of operation is shown in Figure 1.

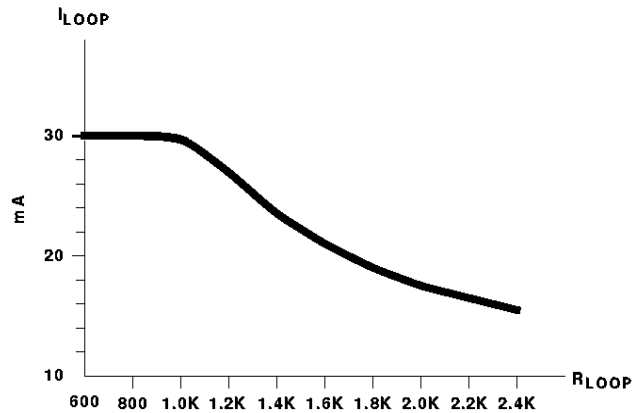


FIGURE 1. BATTERY FEED CHARACTERISTICS

#### Loop Supervision - Switch Hook Detection

The Loop Supervision circuit operates in the Normal and Reverse Loop Feed modes. The DC loop current is monitored and the off-hook condition is indicated when the loop resistance is less than 2.4kΩ. When this occurs, the SHDO output will be set to a logic low in order to signal the system that an off-hook condition exists. If the subscriber is using a rotary dial telephone, the system can monitor the dial pulses through the SHDO output.

#### Ringing - Ring Trip Detection Mode

The ringing voltage is cadenced to a subscriber loop by applying a logic signal to the Rci input. When a logic "0" is received at the RCI input, the HC5520 will set the RD output to low and thus pull current through the ring relay coil and energize the ring relay. This causes the subscriber's telephone to begin ringing. At this time the ringing current through the ring ballast resistor is monitored to determine whether an off-hook condition is present. Once the subscriber goes off-hook, the ring trip circuit will turn off the ring relay after the next occurrence of a zero net current flow through the ring ballast resistor. At the same time, the SHDO output will be set to a logic low to indicate the ring trip detec-

tion. The ring relay can not be reenergized until the system acknowledges that a ring trip has occurred. Acknowledgment is achieved by setting the RCI to a logic high.

If the subscriber goes off-hook during the silent portion of the ringing cadence, the off-hook condition is detected in the same manner as a switch hook detection. The SHDO output will be set to a logic low in order to indicate that the subscriber has answered the call and that ringing of the line should cease.

**Loop Power Down Mode**

Under any condition when PDI is set to a logic “0”, the SLIC will power down the two wire loop. During loop power down, the voltages at Tip and Ring are both collapsed to one-half of the battery voltage and the outputs of the Tip and Ring feed amplifiers are in a high impedance state. Therefore all of the supervisory functions and transmission functions are disabled. The HC5520 will resume normal operation once the loop power down command is removed.

**Thermal Shutdown Mode**

The SLIC will power down the loop by itself once the temperature of the SLIC die reaches 150°C. During this thermal shutdown condition, both TSDO and SHDO outputs will be set to a default logic low to indicate the condition. The supervisory functions and transmission functions are disabled. Once the SLIC die temperature drops 10°C lower than the thermal shutdown temperature, the SLIC will resume operation.

**Test-Out and Test-In Modes**

Two additional relay drivers are provided for test-out and test-in functions. Unlike the ring relay driver circuit, these relay drivers are operated independently of the rest of the HC5520 circuitry. The designation of test-out and test-in is purely arbitrary. When desired, the subscriber’s loop condition can be interrogated through the test-out relay. Likewise, through the test-in relay, the various SLIC functions and signal integrity can be examined.

**Hybrid Transmission Model**

Figure 2 shows a simplified model for bidirectional signal transmission and 2-wire impedance synthesis. The term R<sub>SENSE</sub> used in the equations below refers to the pair of external 100kΩ sense resistors R<sub>TPS</sub> and R<sub>RGS</sub>. The HC5520 architecture gives the user the flexibility to set the gains and 2-wire impedance with external resistors and resistor ratios. However, to prevent adversely affecting other SLIC control functions, the value of R<sub>SENSE</sub> should always be selected to be 100kΩ.

**2W Impedance**

The 2W impedance is the AC input impedance synthesized by the SLIC between the Tip and Ring terminals and will be referred to as Z<sub>O</sub>. The value of Z<sub>O</sub> is user programmable by varying the value R<sub>N</sub> and Z<sub>KZO</sub>. R<sub>N</sub> is recommended to be less than 7kΩ. Z<sub>KZO</sub> can be either a real resistance or a complex impedance network. Z<sub>O</sub> is determined by the following equation:

$$Z_O = \frac{R_{SENSE} \cdot Z_{KZO}}{400 \cdot R_N}$$

where R<sub>SENSE</sub> is constrained to be 100kΩ.

**4W to 2W Gain**

The signal level voltage gain from the 4-wire analog input (R<sub>X</sub>) to the 2-wire ΔV<sub>TR</sub> voltage is user programmable using the following equation:

$$A_{4-2} = \frac{-R_{SENSE}}{R_X}$$

where R<sub>SENSE</sub> is constrained to be 100kΩ. The SLIC has a built-in +6.02dB gain to compensate for the divider effect of matching the load impedance, making it transparent to the user.

**2W to 4W Gain**

The signal level voltage gain from the Tip and Ring terminals (ΔV<sub>TR</sub>) to the output of the 4-wire signal amplifier (R<sub>4W</sub>) is user programmable using the following equation:

$$A_{2-4} = \frac{R_{4W}}{R_{SENSE}}$$

**Transhybrid Balance**

Functionally, when a voice signal is received at V<sub>RX</sub> a current which is proportional to the voice signal will pass through the SLIC 4 wire input R<sub>X</sub> pin. This voice input current will be amplified and inverted to drive the load across the Tip and Ring. The AC voltages at Tip and Ring are fed back to the SLIC and reproduced as the transmit signal at the T<sub>X</sub> pin. This received voice signal returned from 2 wire side of the SLIC will have the same amplitude as the received AC signal but will be 180 degrees out of phase. This signal needs to be eliminated from transmission to prevent far end echo.

The most common way of implementing the transhybrid balance function is to use the analog voice input amplifier in the Combo as a summing amplifier. The circuit connections are as shown in Figure 3. Notice that the input impedance networks for both received signal and returned signal are basically the same, if the 62pF capacitor were not added. The addition of the 62pF capacitor to ground is to compensate for the phase shift of the returned signal to achieve 15dB or more improvement in the 2k to 4kHz frequency band as compared to the data collected from the test circuit.

**Sensitive Pins**

**TipSen, RingSen Pins** - These pins are very low impedance virtual grounds used for providing feedback current to the HC5520 DC, AC, and Longitudinal control loops. Parasitic capacitance on these pins from the PC board layout and external components should be minimized to prevent oscillation.

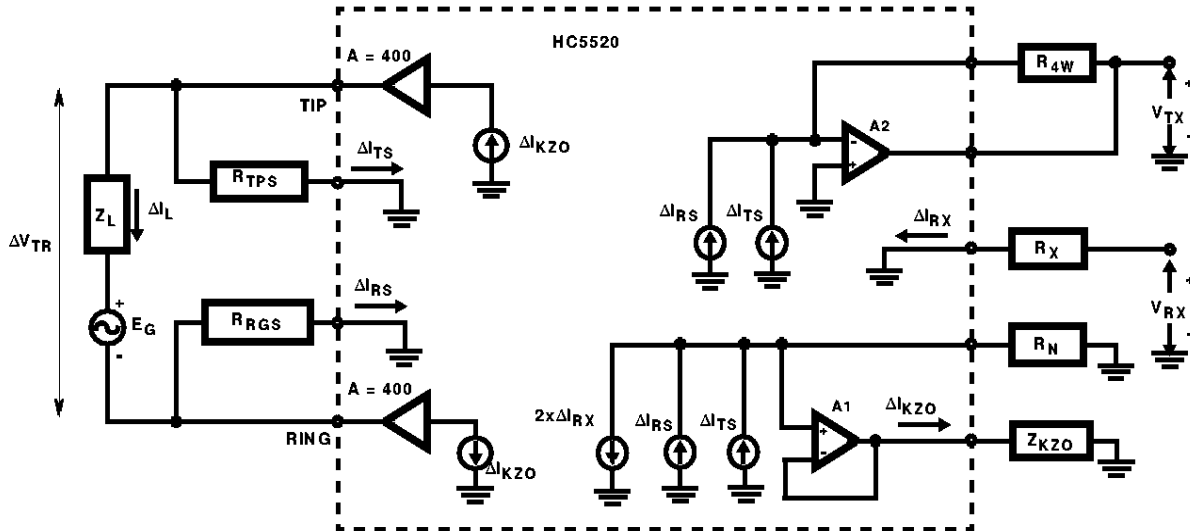


FIGURE 2. SIMPLIFIED AC TRANSMISSION CIRCUIT

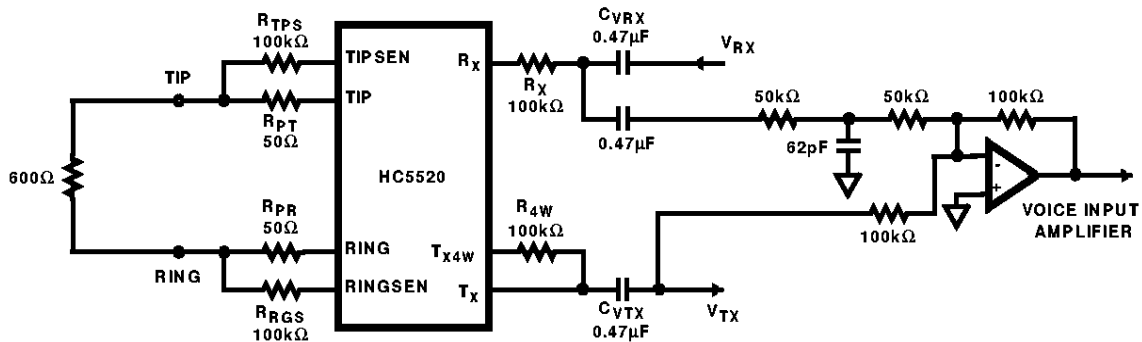


FIGURE 3. TRANSHYBRID BALANCE CIRCUIT WITH HIGH AND LOW FREQUENCY COMPENSATION

**K<sub>ZO</sub> Pin** - The 2-wire impedance that is synthesized by the HC5520 is a direct function of the network connected to this pin (see equations). Parasitic capacitance and inductance from the PC board layout and the external components is magnified by the same K factor that is utilized to synthesize the 2-wire impedance. Excessive parasitics can cause insertion loss and return loss degradation, especially at higher voice band frequencies. Good PC board layout techniques and proper component selection can minimize these effects to a negligible level.

**R<sub>N</sub> Pin** - This pin connects an external resistor to the input of an internal buffer. The value of this resistor is user specified based upon the impedance desired at the 2-wire interface (see equations). The value chosen must not have a value greater than 7kΩ or the input voltage range of the buffer may be exceeded during transients.

**R<sub>DC</sub> Pin** - An external resistor connected to V<sub>CC</sub> is required at this pin to provide an accurate reference for the DC currents which feed the subscriber loop. PC board traces should be made to have low resistance and should connect directly to V<sub>CC</sub>.

**C<sub>DC</sub> Pin** - This pin provides a connection to the DC reference nodes that control the DC loop feed current. These internal blocks are referenced to V<sub>EE</sub> and it is important that the capacitor be referenced to V<sub>EE</sub> or else the PSRR performance will be degraded.

**C<sub>p</sub> Pin** - Capacitor C<sub>p</sub> connects to this pin to create a low-pass filter for the half-battery internal reference point. It is important that this capacitor be referenced to BGND/AGND to minimize the effect of noise injected into the subscriber loop from the battery supply.

**R<sub>PSG</sub>, R<sub>PST</sub>, R<sub>PSR</sub>, R<sub>PSB</sub> Pins** - These pins are connected to critical nodes inside the HC5519R3931 feedback control loops. Parasitic capacitance should be minimized in order to prevent oscillations.

**RD, TB, TA Pins** - The pins connect to the driver coils of the Ring and Test relays and activate the relays by pulling down the coil voltage to ground. The driver outputs are internally clamped to V<sub>CC</sub> by diodes to prevent the inductive voltage transient during relay turn-off from damaging the driver. Relays attached to any voltage other than V<sub>CC</sub> will not function properly.



Test Information

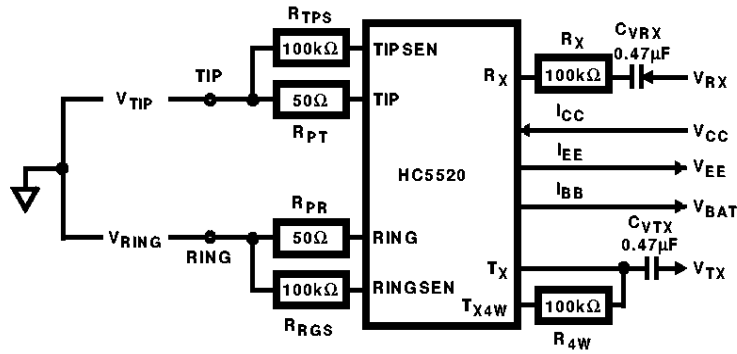


FIGURE 4. POWER SUPPLY CURRENT AND TIP AND RING VOLTAGE TEST CIRCUIT

PARAMETER	INPUT	MEASUREMENT	SPECIFICATIONS
Power Supply Current, $I_{CC}$	$V_{CC} = +4.75 \sim +5.25V$	$I_{CC}$ Direct Measurement	$I_{CC}$
Power Supply Current, $I_{EE}$	$V_{EE} = -4.75 \sim -5.25V$	$I_{EE}$ Direct Measurement	$I_{EE}$
Power Supply Current, $I_{BB}$	$V_{BAT} = -42 \sim -58V$	$I_{BB}$ Direct Measurement	$I_{BB}$
$V_{TIP}$	$V_{BAT}$	$V_{TIP}$ Direct Measurement	$V_{TIP}$
$V_{RING}$	$V_{BAT}$	$V_{RING}$ Direct Measurement	$V_{RING}$

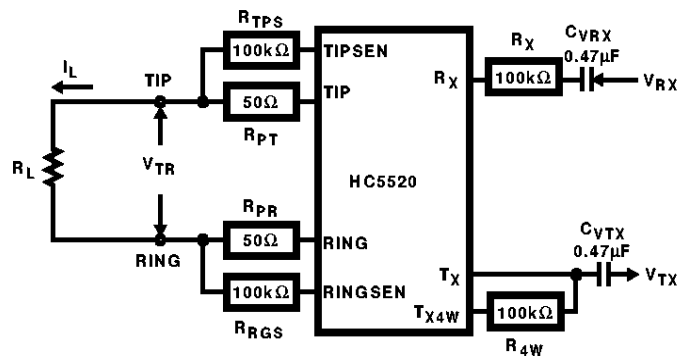


FIGURE 5. LOOP CURRENT TEST CIRCUIT

PARAMETER	INPUT	MEASUREMENT	SPECIFICATIONS
Loop Current, $I_L$	$V_{BAT}$ and $R_L$	$V_{TR}$	$I_L = V_{TR}/R_L$
Short Circuit Loop Current	$V_{BAT} = -48V$ and $R_L = 100\Omega$	$V_{TR}$	$I_L = V_{TR}/R_L$

# HC5520

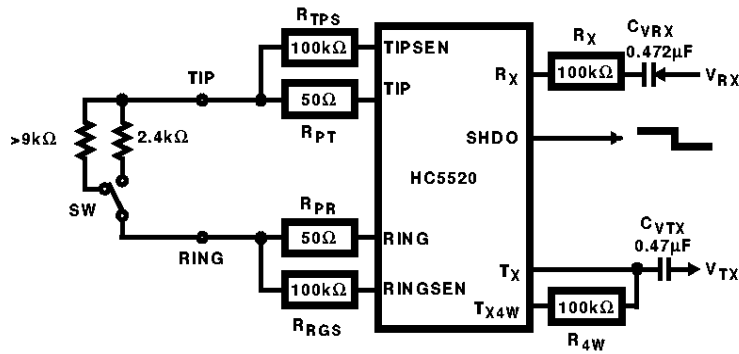


FIGURE 6. SWITCH HOOK DETECTION TEST CIRCUIT

PARAMETER	INPUT	MEASUREMENT	SPECIFICATIONS
On Hook Condition	SW = Left	SHDO	SHDO = Hi
Off Hook Detection	SW = Right	SHDO	SHDO = Lo

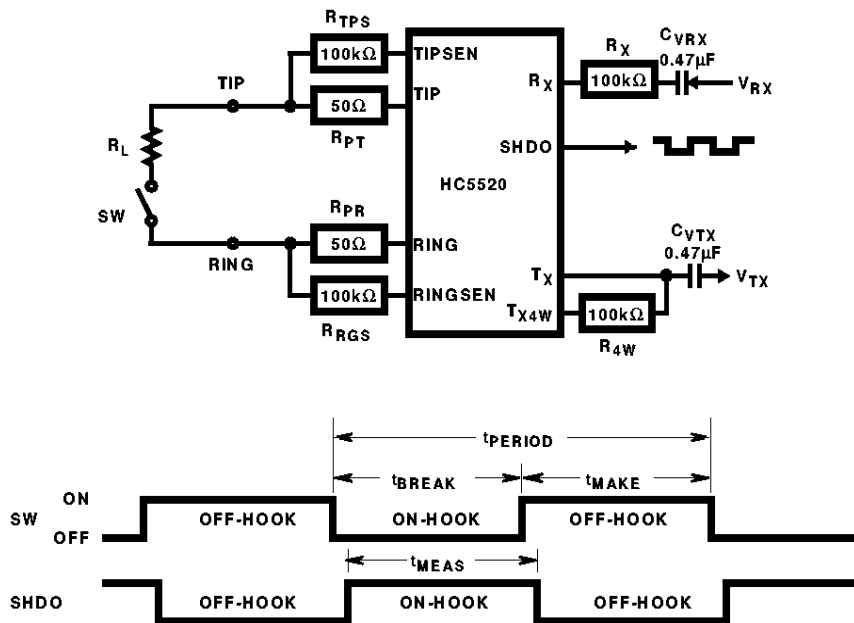


FIGURE 7. DIAL PULSE DISTORTION TEST CIRCUIT AND WAVEFORMS

PARAMETER	INPUT	MEASUREMENT	SPECIFICATIONS
Percent Break	SW = On, Off, ...	$t_{\text{BREAK}}$ and $t_{\text{PERIOD}}$	$(t_{\text{BREAK}}/t_{\text{PERIOD}}) \times 100\%$
Dial Pulse Distortion	SW = On, Off, ...	$t_{\text{BREAK}}$ and $t_{\text{PERIOD}}$ and $t_{\text{MEAS}}$	$\text{Abs}[(t_{\text{BREAK}} - t_{\text{MEAS}})/t_{\text{PERIOD}}] \times 100\%$

# HC5520

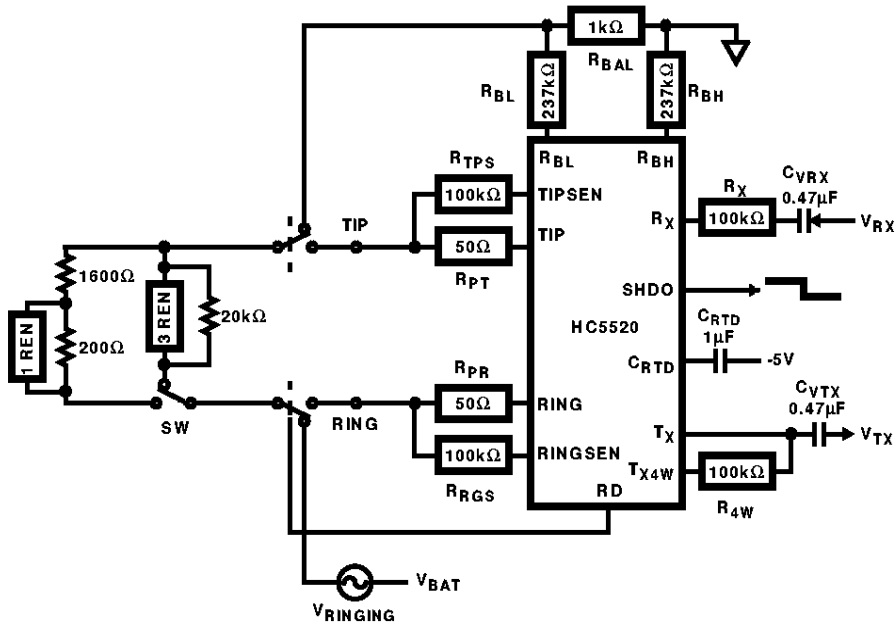


FIGURE 8. RING TRIP DETECTION TEST CIRCUIT

PARAMETER	INPUT	MEASUREMENT	SPECIFICATIONS
No Ring Trip Detection	SW = Up	SHDO	SHDO = Hi
Ring Trip Detection	SW = Down	SHDO	SHDO = Lo

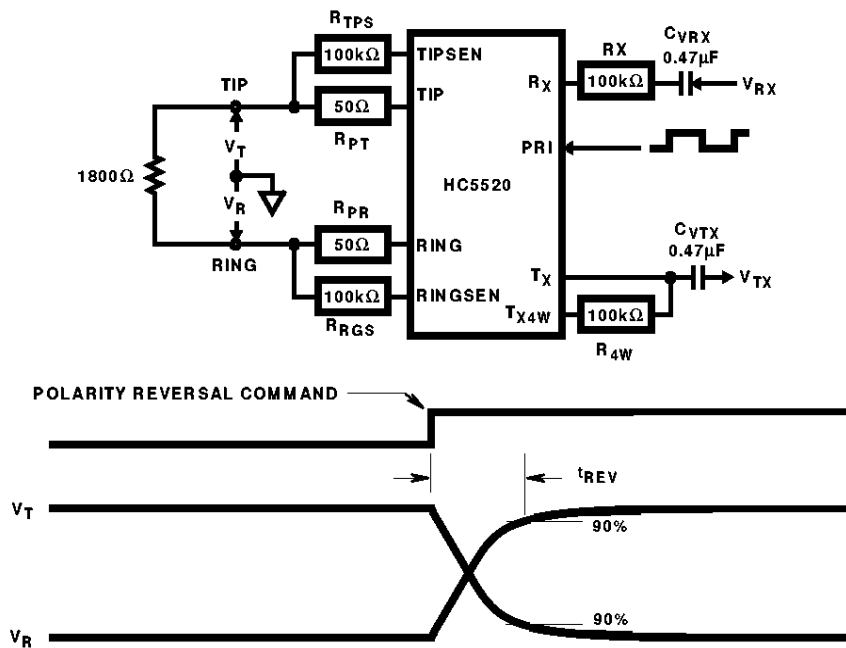
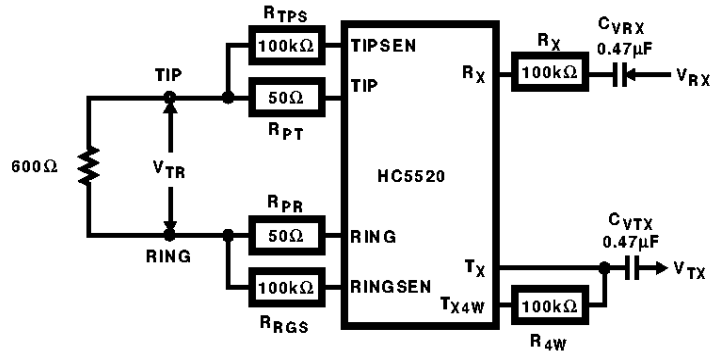


FIGURE 9. POLARITY REVERSAL TIME TEST CIRCUIT AND WAVEFORMS

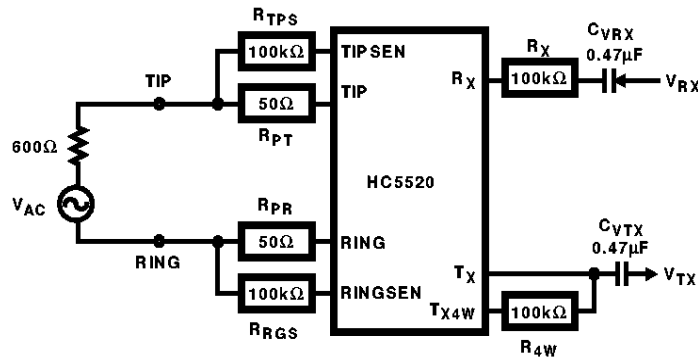
PARAMETER	INPUT	MEASUREMENT	SPECIFICATIONS
Polarity Reversal Time	Reversal Command	$t_{REV}$	$t_{REV}$

## HC5520



**FIGURE 10. 4W TO 2W TRANSMISSION TEST CIRCUIT - NORMAL AND REVERSE MODES**

PARAMETER	INPUT AT VRX	MEASUREMENT	SPECIFICATIONS AT 600Ω
Absolute Receive Gain, AGR	0dBm0 at 1020Hz	$V_{TR}$ at 1020Hz	$AGR = 20\log(V_{TR}/V_{RX})$
Receive Frequency Response	0dBm0 at Freq	$V_{TR}$ at Freq	$20\log(V_{TR}/V_{RX}) - AGR$
Receive Gain Tracking	Level at 1020Hz	$V_{TR}$ at 1020Hz	$20\log(V_{TR}/Level) - AGR$
Receive Signal to Distortion	Level at 1020Hz	$V_{TR}$ at 2nd to 5th Harmonics	$20\log(Level/V_{TR})$
Receive Idle Channel Noise	0V <sub>RMS</sub>	$V_{TR}$	$20\log(V_{TR}/0.7746V_{RMS})$



**FIGURE 11. 2W TO 4W TRANSMISSION TEST CIRCUIT - NORMAL AND REVERSE MODES**

PARAMETER	INPUT AT V <sub>AC</sub>	MEASUREMENT	SPECIFICATIONS AT 600Ω
Absolute Transmit Gain, AGT	2x(0dBm0) at 1020Hz	$V_{TX}$ at 1020Hz	$AGT = 20\log(V_{TX}/0.7746V_{RMS})$
Transmit Frequency Response	2x(0dBm0) at Freq	$V_{TX}$ at Freq	$20\log(V_{TX}/0.7746V_{RMS}) - AGT$
Transmit Gain Tracking	2x(Level) at 1020Hz	$V_{TX}$ at 1020Hz	$20\log(V_{TX}/Level) - AGT$
Transmit Signal to Distortion	2x(Level) at 1020Hz	$V_{TX}$ at 2nd to 5th Harmonics	$20\log(Level/V_{TX})$
Transmit Idle Channel Noise	0V <sub>RMS</sub>	$V_{TX}$	$20\log(V_{TX}/0.7746V_{RMS})$

# HC5520

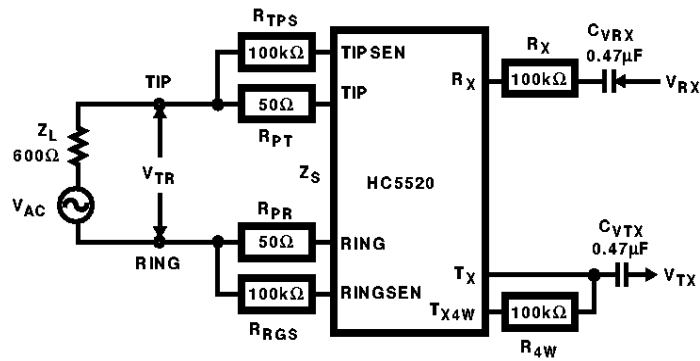


FIGURE 12. 2W RETURN LOSS TEST CIRCUIT - NORMAL AND REVERSE MODES

DEFINITION : 2W Return Loss =  $20 \log[(Z_S + Z_L) / \text{Abs}(Z_S - Z_L)]$ . Where  $Z_S$  is the source impedance and  $Z_L$  is the load impedance.

PARAMETER	INPUT AT $V_{AC}$	MEASUREMENT	SPECIFICATIONS FOR 600Ω
2W Return Loss	0dBm0 at Freq	$V_{TR}$ at Freq	$20 \log[V_{AC} / \text{Abs}(2 \times V_{TR} - V_{AC})]$

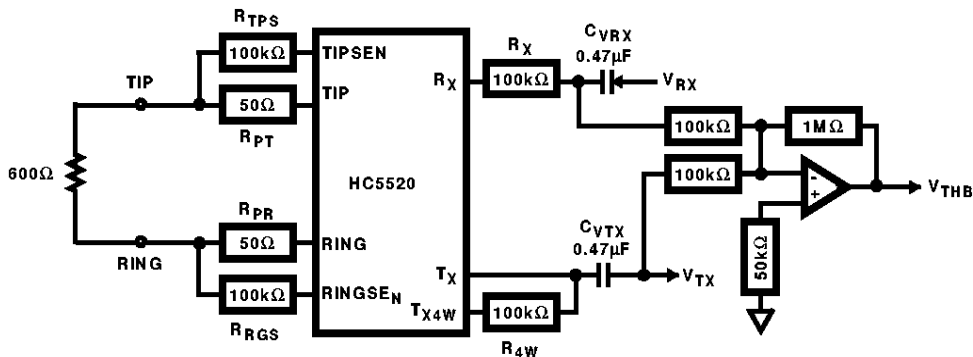


FIGURE 13. 4W TO 4W INSERTION LOSS AND TRANSHYBRID BALANCE - NORMAL AND REVERSE MODES

PARAMETER	INPUT AT $V_{RX}$	MEASUREMENT	SPECIFICATIONS FOR 600Ω
4W to 4W Insertion Loss	0dBm0 at Freq	$V_{TX}$ at Freq	$20 \log[V_{RX} / V_{TX}]$
Transhybrid Balance	0dBm0 at Freq	$V_{THB}$ at Freq	$20 \log[V_{RX} / V_{THB}] + 20 \text{dB}$

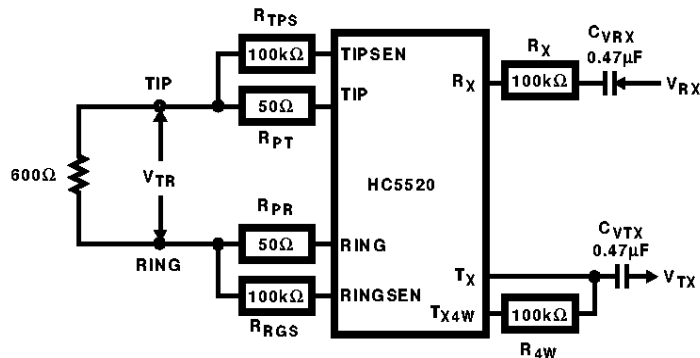


FIGURE 14. RECEIVE OVER LOAD LEVEL AT 4W AND 2W TEST CIRCUIT - NORMAL AND REVERSE MODES

INPUT AT $V_{RX}$ AT 1kHz	SLIC OUTPUT IMPEDANCE	SLIC VOLTAGE GAIN	MEASUREMENT	SPECIFICATION AT 600Ω
$V_{RX} = 2.50 \text{V}_{PEAK}$	600Ω	0dB	$V_{TR}$ at 2nd to 5th Harmonics	$20 \log(V_{TR} / V_{RX})$

# HC5520

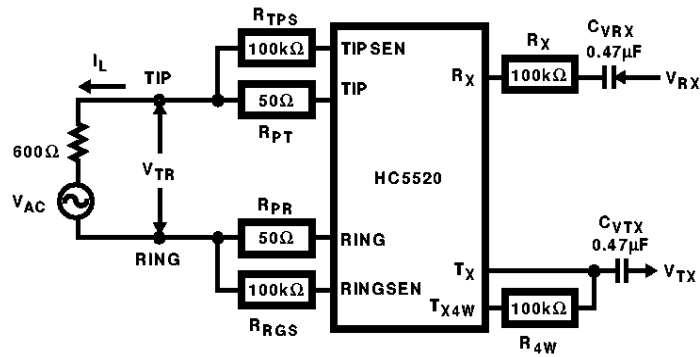


FIGURE 15. TRANSMIT OVER LOAD LEVEL AT 2W AND 4W TEST CIRCUIT - NORMAL AND REVERSE MODES

INPUT AT $V_{AC}$ AT 1kHz	SLIC OUTPUT IMPEDANCE	SLIC TRANSMIT GAIN	MEASUREMENT	SPECIFICATION AT 600Ω
$V_{AC} = 2 \times (2.15V_{PEAK})$	600Ω	0dB	$V_{TR}$ and $V_{TX}$ at 2nd to 5th Harmonics	$20 \log[V_{TR}/(V_{AC}/2)]$ and $20 \log[V_{TX}/(V_{AC}/2)]$

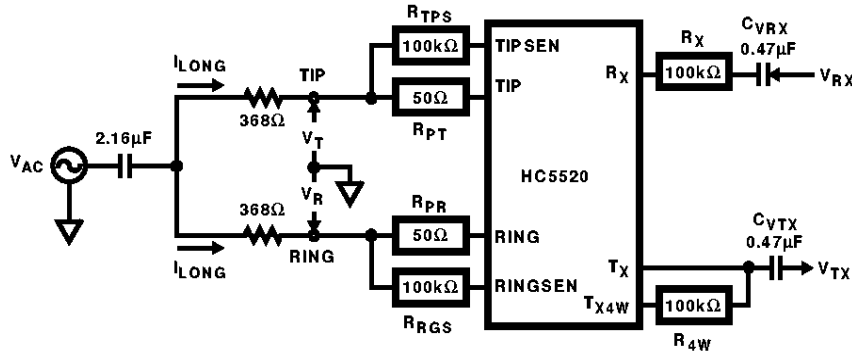


FIGURE 16. LONGITUDINAL IMPEDANCE TEST CIRCUIT - NORMAL AND REVERSE MODES

PARAMETER	INPUT	MEASUREMENT	SPECIFICATIONS
Longitudinal Impedance, Tip Side	$V_{AC} = 0dBm0$ at Freq	$I_{LONG}$ (rms) and $V_T$ (rms)	$Z_{LONG} = V_T/I_{LONG}$
Longitudinal Impedance, Ring Side	$V_{AC} = 0dBm0$ at Freq	$I_{LONG}$ (rms) and $V_R$ (rms)	$Z_{LONG} = V_R/I_{LONG}$

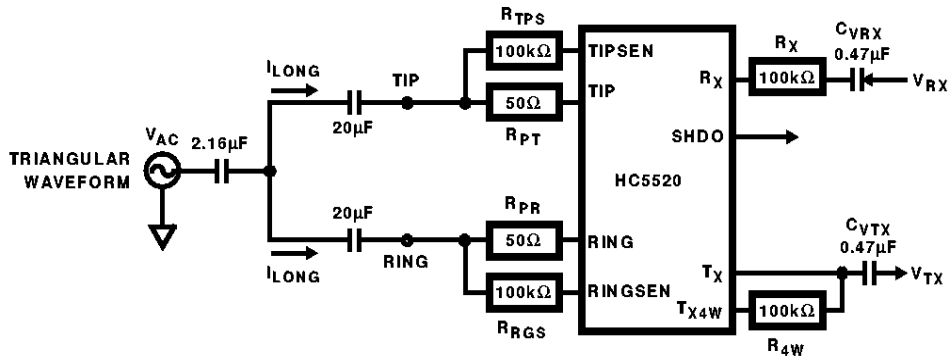
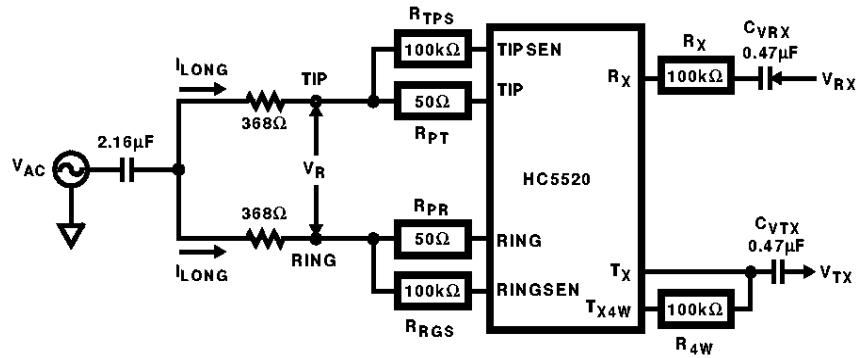


FIGURE 17. ON-HOOK LONGITUDINAL CURRENT LIMIT TEST CIRCUIT - NORMAL AND REVERSE MODES

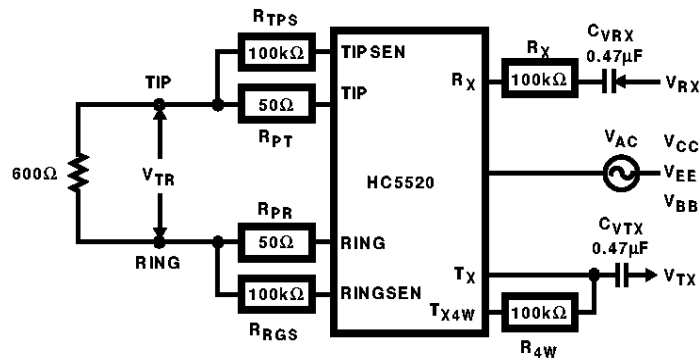
PARAMETER	INPUT	MEASUREMENT	SPECIFICATIONS
Longitudinal Current Limit	$V_{AC}$ at Freq, $I_{LONG} = 15mA_{PEAK}$	SHDO	SHDO = Hi

## HC5520



**FIGURE 18. 2W AND 4W LONGITUDINAL BALANCE TEST CIRCUIT - NORMAL AND REVERSE MODES**

PARAMETER	INPUT	MEASUREMENT	SPECIFICATIONS
2W Longitudinal Balance	$V_{AC} = 0\text{dBm0}$ at Freq	$V_{TR}$ at Freq	$20\log(V_{AC}/V_{TR})$
4W Longitudinal Balance	$V_{AC} = 0\text{dBm0}$ at Freq	$V_{TX}$ at Freq	$20\log(V_{AC}/V_{TX})$



**FIGURE 19. OFF HOOK PSRR 4W AND 2W TEST CIRCUIT - NORMAL AND REVERSE MODES**

PARAMETER	INPUT	MEASUREMENT	SPECIFICATIONS
PSRR $V_{BAT}$ to 4W	$V_{BAT} = -48V + V_{AC}$	$V_{TX}$ at Freq	$20\log(V_{AC}/V_{TX})$ at Freq
PSRR $V_{BAT}$ to 2W	$V_{BAT} = -48V + V_{AC}$	$V_{TR}$ at Freq	$20\log(V_{AC}/V_{TR})$ at Freq
PSRR $V_{CC}$ to 4W	$V_{CC} = +5V + V_{AC}$	$V_{TX}$ at Freq	$20\log(V_{AC}/V_{TX})$ at Freq
PSRR $V_{CC}$ to 2W	$V_{CC} = +5V + V_{AC}$	$V_{TR}$ at Freq	$20\log(V_{AC}/V_{TR})$ at Freq
PSRR $V_{EE}$ to 4W	$V_{EE} = -5V + V_{AC}$	$V_{TX}$ at Freq	$20\log(V_{AC}/V_{TX})$ at Freq
PSRR $V_{EE}$ to 2W	$V_{EE} = -5V + V_{AC}$	$V_{TR}$ at Freq	$20\log(V_{AC}/V_{TR})$ at Freq

## HC5520

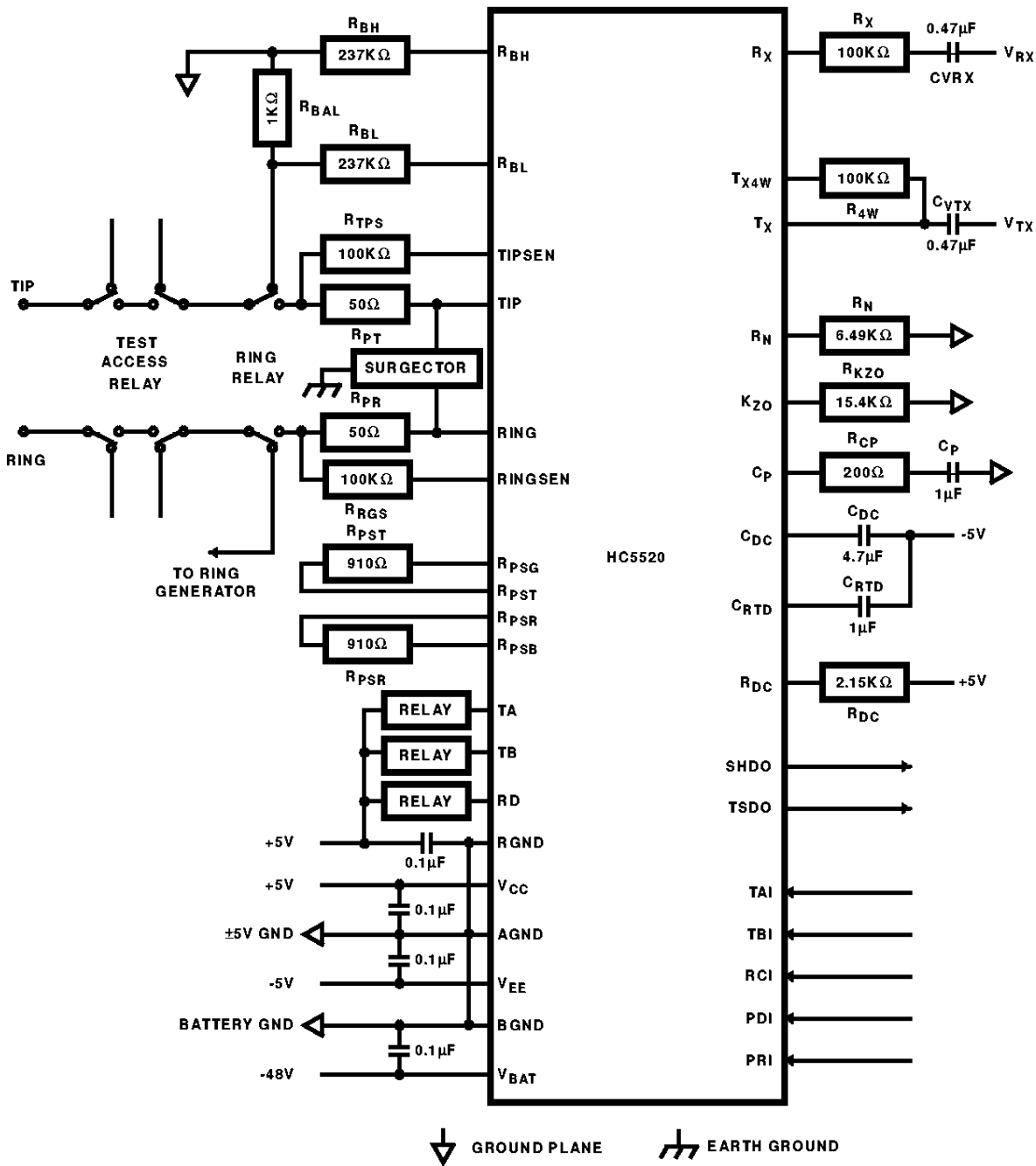
### Pin Descriptions

MQFP	PLCC	SYMBOL	DESCRIPTION
1	7	R <sub>X</sub>	4W receive input pin, a ground referenced current sense input.
2	8	AGND	Analog ground pin. This pin must be tied to the BGND and RGND pins.
3	9	T <sub>X</sub>	4W transmit output pin, a ground referenced voltage source.
4	10	T <sub>X4W</sub>	Transmit gain setting pin - connecting a resistor between T <sub>X4W</sub> and T <sub>X</sub> establishes the 2W to 4W gain.
5	11	K <sub>ZO</sub>	2W impedance setting pin, connecting a network K(Z <sub>L</sub> ) between K <sub>ZO</sub> pin and AGND will program the 2W impedance to be Z <sub>L</sub> .
6	12	R <sub>N</sub>	Resistor divider pin for ZO, in conjunction with K <sub>ZO</sub> it defines the 2W impedance.
7	13	R <sub>DC</sub>	DC feed reference pin.
8	14	C <sub>DC</sub>	DC feeding circuit low pass filter capacitor pin.
9	15	C <sub>p</sub>	Half battery voltage reference pin.
10	16	V <sub>EE</sub>	Negative power supply pin, V <sub>EE</sub> = -5V at 5%.
11	17	TIPSEN	Tip sense input pin.
12	18	BGND	Battery ground pin. This pin must be tied to the AGND and RGND pins.
13	19	R <sub>PSG</sub>	Power sharing resistor ground side connection pin.
14		NC	No connect.
15	20	R <sub>pST</sub>	Power sharing resistor Tip side connection pin.
16	21	TIP	Tip feed pin.
17	22	NC	No connect.
18	23	RING	Ring feed pin.
19	24	R <sub>PSR</sub>	Power sharing resistor Ring side connection pin.
20	25	NC	No connect.
21	26	R <sub>PSB</sub>	Power sharing resistor battery side connection pin.
22	27	V <sub>BAT</sub>	Battery power supply pin, V <sub>BAT</sub> = -42V to -58V.
23	28	RINGSEN	Ring sense input pin.
24	29	R <sub>BH</sub>	Ring trip amplifier ground side sense input pin.
25	30	R <sub>BL</sub>	Ring trip amplifier line side sense input pin.
26	31	C <sub>RTD</sub>	Ring trip capacitor pin.
27	32	RD	Ring relay driver pin, open collector output. Diode protected internally.
28	33	TB	Test access relay driver pin, open collector output. Diode protected internally.
29	34	TA	Test access relay driver pin, open collector output. Diode protected internally.
30	35	RGND	Relay driver ground current return pin. This pin must be tied to the AGND and BGND pins.
31	36	V <sub>CC</sub>	Positive power supply pin, V <sub>CC</sub> = +5V at 5%.
32	37	NC	No connect.
33	38	NC	No connect.
34	39	NC	No connect.
	40	NC	No connect.
35	41	TAI	TA Relay Driver Control Input.
36	42	TBI	TB Relay Driver Control Input.
37	43	RCI	RD Relay Driver Control Input.
38	44	PRI	Loop Feed Polarity Control Input.
39	1	PDI	Loop Feed Control Input.
40	2	NC	No connect.
41	3	NC	No connect.
42	4	TSDO	Thermal Shutdown Indicator Output.
43	5	SHDO	Off Hook Detect Indicator Output.
44	6	NC	No connect.



HC5520

Typical Application Circuit Diagram



NOTE: The HC5520 application circuit is configured to provide a receive gain of 0dB, a transmit gain of 0dB, and a synthesized 2W impedance of 593Ω. Note, the value of  $R_{TPS}$ ,  $R_{RGS}$  should always be selected to be 100kΩ.

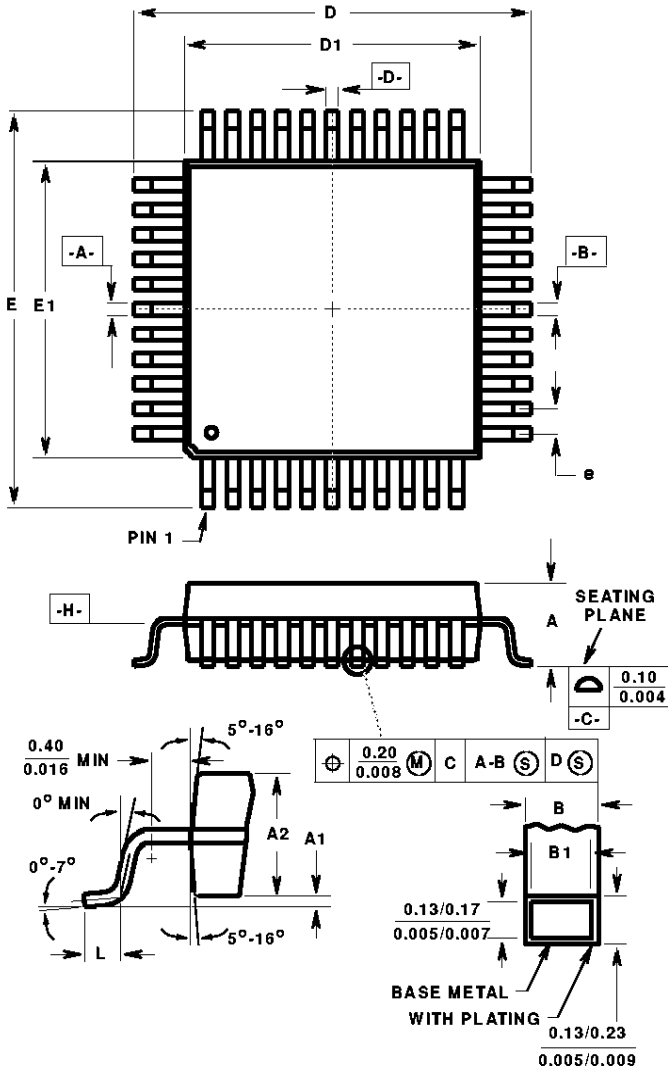
**HC5520**

**External Component List for Application Circuit**

NAME	VALUE	TOLERANCE	RATING
R <sub>X</sub> , R <sub>4W</sub> , R <sub>TPS</sub> , R <sub>RGS</sub>	100kΩ	1%	1/10W
R <sub>N</sub>	6.49kΩ	1%	1/10W
R <sub>DC</sub>	2.15kΩ	1%	1/10W
R <sub>BH</sub> , R <sub>BL</sub>	237kΩ	1%	1/10W
R <sub>PT</sub> , R <sub>PR</sub>	50Ω	5%	2.5W or PTC
R <sub>BAL</sub>	1000Ω	5%	1W
R <sub>KZ0</sub>	15.4kΩ	1%	1/10W
R <sub>CP</sub>	200Ω	5%	1/10W
R <sub>PST</sub> , R <sub>PSR</sub>	910Ω	5%	2W
C <sub>VRX</sub> , C <sub>VTX</sub>	0.47μF	20%	10V
C <sub>DC</sub>	4.7μF	10%	10V Tantalum
C <sub>p</sub>	1μF	10%	35V Tantalum
C <sub>RTD</sub>	1μF	10%	10V Tantalum
C DECOUPLING	0.1μF	20%	10V except on V <sub>b</sub>
SURGECTOR	TISP1072F3SL		Texas Instruments
PTC	TR250-120u		Raychem

# HC5520

## Metric Plastic Quad Flatpack Packages (MQFP/PQFP)



### Q44.10x10 (JEDEC MO-108AA-2 ISSUE A) 44 LEAD METRIC PLASTIC QUAD FLATPACK PACKAGE

SYMBOL	INCHES		MILLIMETERS		NOTES
	MIN	MAX	MIN	MAX	
A	-	0.093	-	2.35	-
A1	0.004	0.010	0.10	0.25	-
A2	0.077	0.083	1.95	2.10	-
B	0.012	0.018	0.30	0.45	6
B1	0.012	0.016	0.30	0.40	-
D	0.510	0.530	12.95	13.45	3
D1	0.390	0.398	9.90	10.10	4, 5
E	0.510	0.530	12.95	13.45	3
E1	0.390	0.398	9.90	10.10	4, 5
L	0.026	0.037	0.65	0.95	-
N	44		44		7
e	0.032 BSC		0.80 BSC		-

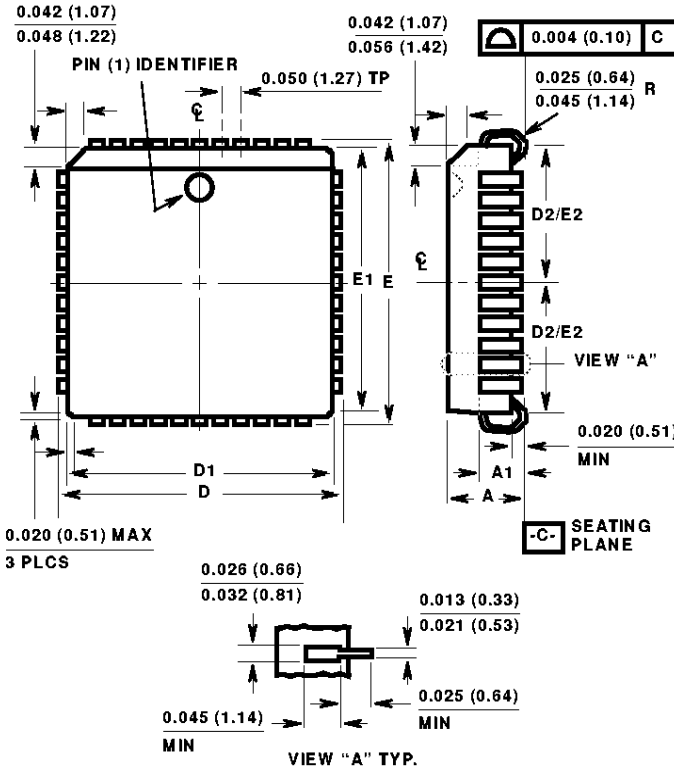
Rev. 1 1/94

#### NOTES:

1. Controlling dimension: MILLIMETER. Converted inch dimensions are not necessarily exact.
2. All dimensions and tolerances per ANSI Y14.5M-1982.
3. Dimensions D and E to be determined at seating plane -C-.
4. Dimensions D1 and E1 to be determined at datum plane -H-.
5. Dimensions D1 and E1 do not include mold protrusion. Allowable protrusion is 0.25mm (0.010 inch) per side.
6. Dimension B does not include dambar protrusion. Allowable dambar protrusion shall be 0.08mm (0.003 inch) total.
7. "N" is the number of terminal positions.

**Plastic Leaded Chip Carrier Packages (PLCC)**

**N44.65 (JEDEC MS-018AC ISSUE A)  
44 LEAD PLASTIC LEADED CHIP CARRIER PACKAGE**



SYMBOL	INCHES		MILLIMETERS		NOTES
	MIN	MAX	MIN	MAX	
A	0.165	0.180	4.20	4.57	-
A1	0.090	0.120	2.29	3.04	-
D	0.685	0.695	17.40	17.65	-
D1	0.650	0.656	16.51	16.66	3
D2	0.291	0.319	7.40	8.10	4, 5
E	0.685	0.695	17.40	17.65	-
E1	0.650	0.656	16.51	16.66	3
E2	0.291	0.319	7.40	8.10	4, 5
N	44		44		6

Rev. 1 3/95

**NOTES:**

1. Controlling dimension: INCH. Converted millimeter dimensions are not necessarily exact.
2. Dimensions and tolerancing per ANSI Y14.5M-1982.
3. Dimensions D1 and E1 do not include mold protrusions. Allowable mold protrusion is 0.010 inch (0.25mm) per side.
4. To be measured at seating plane -C- contact point.
5. Centerline to be determined where center leads exit plastic body.
6. "N" is the number of terminal positions.

All Harris Semiconductor products are manufactured, assembled and tested under **ISO9000** quality systems certification.

*Harris Semiconductor products are sold by description only. Harris Semiconductor reserves the right to make changes in circuit design and/or specifications at any time without notice. Accordingly, the reader is cautioned to verify that data sheets are current before placing orders. Information furnished by Harris is believed to be accurate and reliable. However, no responsibility is assumed by Harris or its subsidiaries for its use; nor for any infringements of patents or other rights of third parties which may result from its use. No license is granted by implication or otherwise under any patent or patent rights of Harris or its subsidiaries.*

**Sales Office Headquarters**

For general information regarding Harris Semiconductor and its products, call **1-800-4-HARRIS**

**NORTH AMERICA**

Harris Semiconductor  
P. O. Box 883, Mail Stop 53-210  
Melbourne, FL 32902  
TEL: 1-800-442-7747  
(407) 729-4984  
FAX: (407) 729-5321

**EUROPE**

Harris Semiconductor  
Mercure Center  
100, Rue de la Fusee  
1130 Brussels, Belgium  
TEL: (32) 2.724.2111  
FAX: (32) 2.724.22.05

**ASIA**

Harris Semiconductor PTE Ltd.  
No. 1 Tannery Road  
Cencon 1, #09-01  
Singapore 1334  
TEL: (65) 748-4200  
FAX: (65) 748-0400

