

Bridgelux® Decor Series™ Class A LED Array

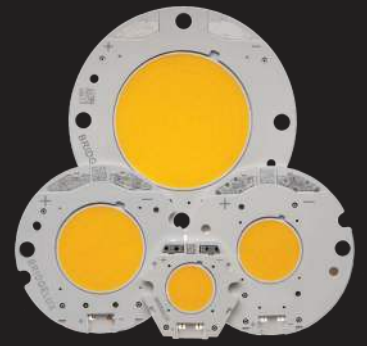
Product Data Sheet DS35



BXRC-30A1001	30A2001	30A4001	30A10K1
BXRC-35A1001	35A2001	35A4001	35A10K1
BXRC-40A1001	40A2001	40A4001	40A10K1

Introduction

Vero



Bridgelux® Décor Series™ Class A products are a revolutionary advancement in lighting designed to match how humans perceive and prefer light. The Class A specification was created by the Lighting Research Center (LRC) behavior studies in conjunction with Bridgelux and other ASSIST members. Based on human factor response testing, the Décor Series Class A products provide vibrant, natural and brilliant looking light, evoking an emotional attraction and response. The Décor Series Class A products were developed for high-end retail, museum, architectural, premium building and hospitality applications.

Bridgelux Décor Series Class A products are available on all Vero form factors. The Vero platform has been engineered with advanced connectivity options and can operate over a broad current range, enabling multiple degrees of flexibility in luminaire design optimization.

Features

- Light quality is based on human perception of color and light
- High gamut area index (GAI)
- No harmful UV or near IR light in the spectrum
- Substantially broader GAI and color spectrum than halogen
- Radial die pattern enhances optical uniformity
- Based on Bridgelux Vero COB LED array platform

Benefits

- Broad application coverage for interior and exterior lighting
- Flexibility for application driven lighting design requirements
- High quality true color reproduction
- Uniform consistent white light
- Flexibility in design optimization
- Enhanced ease of use and manufacturability



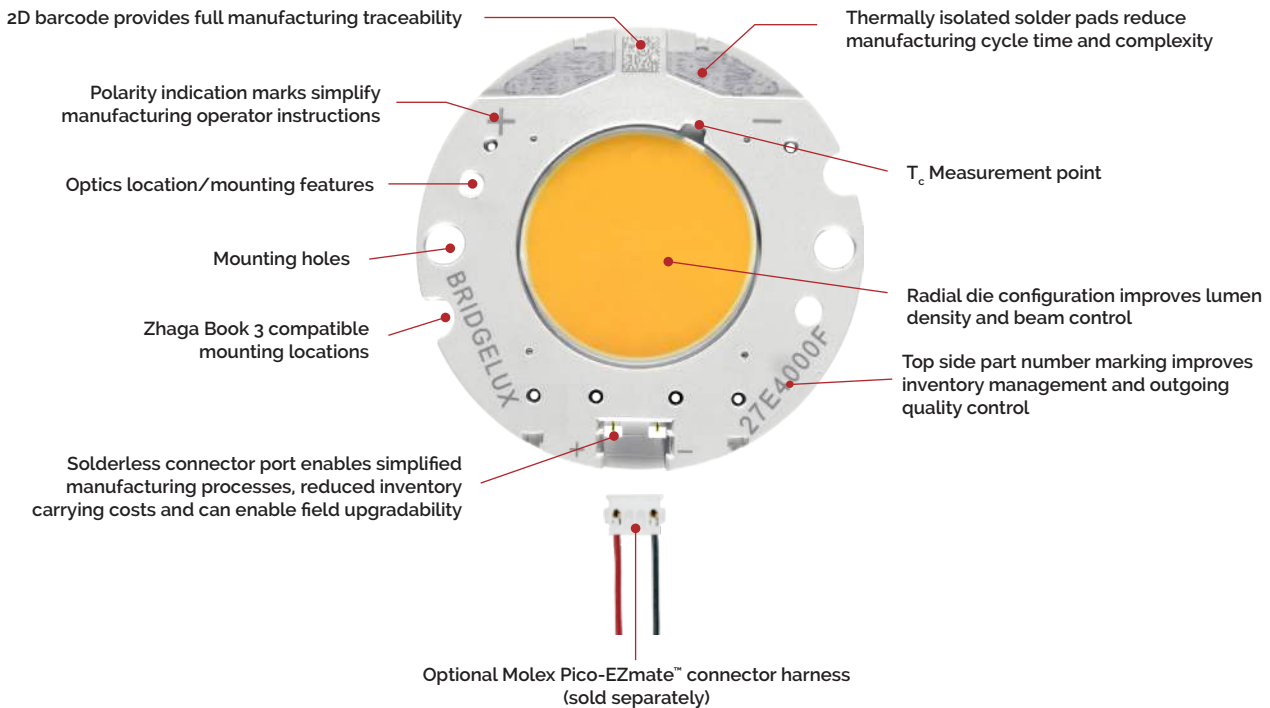
Contents

Product Feature Map	2
Product Nomenclature	2
Product Selection Guide	3
Performance at Commonly Used Drive Currents	5
Electrical Characteristics	7
Absolute Maximum Ratings	8
Performance Curves	9
Typical Radiation Pattern	16
Mechanical Dimensions	17
Packaging and Labeling	21
Design Resources	24
Precautions	24
Disclaimers	24
About Bridgelux	25

Product Feature Map

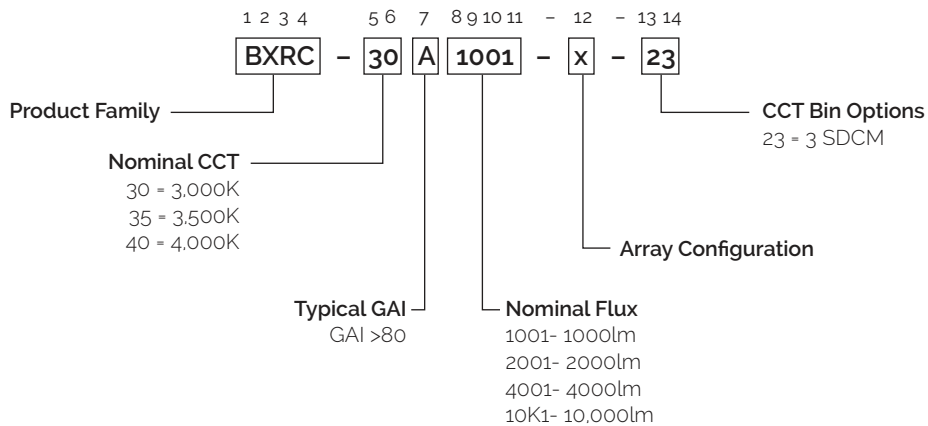
In addition to delivering the performance and light quality required for many lighting applications, Décor Series Class A LED arrays incorporate several features to

simplify the design integration and manufacturing process, accelerate time to market and reduce system costs.



Product Nomenclature

The part number designation for Bridgelux Vero LED arrays is explained as follows:



Product Selection Guide

The following product configurations are available:

Table 1: Selection Guide, Pulsed Measurement Data ($T_j = T_c = 25^\circ\text{C}$)

Product	Part Number	Nominal CCT ¹ (K)	GAI ²	CRI ³	Nominal Drive Current ⁴ (mA)	Typical Pulsed Flux ^{5,6,7} $T_c = 25^\circ\text{C}$ (lm)	Minimum Pulsed Flux ^{7,8} $T_c = 25^\circ\text{C}$ (lm)	Typical V_f (V)	Typical Power (W)	Typical Efficacy (lm/W)
Décor Class A Vero 10	BXRC-30A1001-B-23	3000	80	93	350	820	750	26.5	9.3	88
Décor Class A Vero 10	BXRC-35A1001-B-23	3500	80	93	350	909	849	26.5	9.3	98
Décor Class A Vero 10	BXRC-40A1001-B-23	4000	80	93	350	970	900	26.5	9.3	105
Décor Class A Vero 13	BXRC-30A2001-C-23	3000	80	93	500	1500	1394	32.3	16.2	93
Décor Class A Vero 13	BXRC-35A2001-C-23	3500	80	93	500	1628	1520	32.3	16.2	101
Décor Class A Vero 13	BXRC-40A2001-C-23	4000	80	93	500	1740	1625	32.3	16.2	108
Décor Class A Vero 18	BXRC-30A4001-F-23	3000	80	93	1050	2897	2695	29.5	31.0	94
Décor Class A Vero 18	BXRC-35A4001-F-23	3500	80	93	1050	3096	2893	29.5	31.0	100
Décor Class A Vero 18	BXRC-40A4001-F-23	4000	80	93	1050	3385	3157	29.5	31.0	109
Décor Class A Vero 29	BXRC-30A10K1-L-23	3000	80	93	2100	7483	7014	38	79.8	94
Décor Class A Vero 29	BXRC-35A10K1-L-23	3000	80	93	2100	8251	7712	38	79.8	103
Décor Class A Vero 29	BXRC-40A10K1-L-23	4000	80	93	2100	8666	8054	38	79.8	109

Table 2: Selection Guide, Stabilized DC Performance ($T_c = 70^\circ\text{C}$)^{9,10}

Product	Part Number	Nominal CCT ¹ (K)	GAI ²	CRI ³	Nominal Drive Current ⁴ (mA)	Typical DC Flux ^{6,7} $T_c = 70^\circ\text{C}$ (lm)	Minimum DC Flux ^{7,11} $T_c = 70^\circ\text{C}$ (lm)	Typical V_f (V)	Typical Power (W)	Typical Efficacy (lm/W)
Décor Class A Vero 10	BXRC-30A1001-B-23	3000	80	93	350	752	688	25.8	9.0	83
Décor Class A Vero 10	BXRC-35A1001-B-23	3500	80	93	350	834	779	25.8	9.0	92
Décor Class A Vero 10	BXRC-40A1001-B-23	4000	80	93	350	888	824	25.8	9.0	98
Décor Class A Vero 13	BXRC-30A2001-C-23	3000	80	93	500	1377	1280	31.5	15.8	87
Décor Class A Vero 13	BXRC-35A2001-C-23	3500	80	93	500	1509	1409	31.5	15.8	96
Décor Class A Vero 13	BXRC-40A2001-C-23	4000	80	93	500	1597	1491	31.5	15.8	101
Décor Class A Vero 18	BXRC-30A4001-F-23	3000	80	93	1050	2638	2454	28.7	30.2	87
Décor Class A Vero 18	BXRC-35A4001-F-23	3500	80	93	1050	2868	2680	28.7	30.2	95
Décor Class A Vero 18	BXRC-40A4001-F-23	4000	80	93	1050	3120	2910	28.7	30.2	103
Décor Class A Vero 29	BXRC-30A10K1-L-23	3000	80	93	2100	6886	6454	37.2	78.2	88
Décor Class A Vero 29	BXRC-35A10K1-L-23	3000	80	93	2100	7637	7138	37.2	78.2	98
Décor Class A Vero 29	BXRC-40A10K1-L-23	4000	80	93	2100	7977	7414	37.2	78.2	102

Notes for Tables 1 & 2:

- Nominal CCT is defined by the Lighting Research Center's Class A definition. The center of the Class A color bin is on the corresponding isothermal line.
- To help ensure optimal fixture level performance, GAI is measured at the fixture level, on axis, at a case temperature of 70°C . GAI may vary depending on fixture design and performance.
- CRI Values are specified as typical. Typical R_g value for 3000K products is 90. CRI and R Values are measured at 25C pulsed.
- Drive current is referred to as nominal drive current.
- Products tested under pulsed condition (10ms pulse width) at nominal test current where T_j (junction temperature) = T_c (case temperature) = 25°C .
- Typical performance values are provided as a reference only and are not a guarantee of performance.
- Bridgelux maintains a $\pm 7\%$ tolerance on flux measurements.
- Minimum flux values at the nominal test current are guaranteed by 100% test.
- Typical stabilized DC performance values are provided as reference only and are not a guarantee of performance.
- Typical performance is estimated based on operation under DC (direct current) with LED array mounted onto a heat sink with thermal interface material and the case temperature maintained at specified temperature. Based on Bridgelux test setup, values may vary depending on the thermal design of the luminaire and/or the exposed environment to which the product is subjected.
- Minimum flux values at elevated temperatures are provided for reference only and are not guaranteed by 100% production testing. Based on Bridgelux test setup, values may vary depending on the thermal design of the luminaire and/or the exposed environment to which the product is subjected.

Product Selection Guide

The following product configurations are available:

Table 3: Selection Guide, Stabilized DC Performance (T_c = 85°C) ^{9,10}

Product	Part Number	Nominal CCT ¹ (K)	GAI ²	CRI ³	Nominal Drive Current ⁴ (mA)	Typical DC Flux ^{6,7} T _c = 85°C (lm)	Minimum DC Flux ^{7,11} T _c = 85°C (lm)	Typical V _f (V)	Typical Power (W)	Typical Efficacy (lm/W)
Décor Class A Vero 10	BXRC-30A1001-B-23	3000	80	93	350	728	666	25.5	8.9	81
Décor Class A Vero 10	BXRC-35A1001-B-23	3500	80	93	350	807	753	25.5	8.9	90
Décor Class A Vero 10	BXRC-40A1001-B-23	4000	80	93	350	861	799	25.5	8.9	96
Décor Class A Vero 13	BXRC-30A2001-C-23	3000	80	93	500	1332	1238	31.3	15.6	85
Décor Class A Vero 13	BXRC-35A2001-C-23	3500	80	93	500	1461	1364	31.3	15.6	93
Décor Class A Vero 13	BXRC-40A2001-C-23	4000	80	93	500	1545	1443	31.3	15.6	99
Décor Class A Vero 18	BXRC-30A4001-F-23	3000	80	93	1050	2543	2365	28.6	30.0	85
Décor Class A Vero 18	BXRC-35A4001-F-23	3500	80	93	1050	2781	2598	28.6	30.0	93
Décor Class A Vero 18	BXRC-40A4001-F-23	4000	80	93	1050	3025	2821	28.6	30.0	101
Décor Class A Vero 29	BXRC-30A10K1-L-23	3000	80	93	2100	6668	6250	36.8	77.3	86
Décor Class A Vero 29	BXRC-35A10K1-L-23	3000	80	93	2100	7399	6916	36.8	77.3	96
Décor Class A Vero 29	BXRC-40A10K1-L-23	4000	80	93	2100	7718	7173	36.8	77.3	100

Notes for Table 3:

- Nominal CCT is defined by the Lighting Research Center's Class A definition. The center of the Class A color bin is on the corresponding isothermal line.
- To help ensure optimal fixture level performance, GAI is measured at the fixture level, on axis, at a case temperature of 70°C. GAI may vary depending on fixture design and performance.
- CRI Values are specified as typical. Typical R₉ value for 3000K products is 90. CRI and R Values are measured at 25C pulsed.
- Drive current is referred to as nominal drive current.
- Products tested under pulsed condition (10ms pulse width) at nominal test current where T_j (junction temperature) - T_c (case temperature) = 25°C.
- Typical performance values are provided as a reference only and are not a guarantee of performance.
- Bridgelux maintains a ±7% tolerance on flux measurements.
- Minimum flux values at the nominal test current are guaranteed by 100% test.
- Typical stabilized DC performance values are provided as reference only and are not a guarantee of performance.
- Typical performance is estimated based on operation under DC (direct current) with LED array mounted onto a heat sink with thermal interface material and the case temperature maintained at specified temperature. Based on Bridgelux test setup, values may vary depending on the thermal design of the luminaire and/or the exposed environment to which the product is subjected.
- Minimum flux values at elevated temperatures are provided for reference only and are not guaranteed by 100% production testing. Based on Bridgelux test setup, values may vary depending on the thermal design of the luminaire and/or the exposed environment to which the product is subjected.

Performance at Commonly Used Drive Currents

Vero LED arrays are tested to the specifications shown using the nominal drive currents in Table 1. Vero may also be driven at other drive currents dependent on specific application design requirements. The performance at any drive current can be derived from the current vs. voltage characteristics shown in Figure 3-6 and the flux vs. current characteristics shown in Figures 7-10. The performance at commonly used drive currents is summarized in Table 4.

Table 4: Product Performance at Commonly Used Drive Currents

Product	Part Number	GAI	CRI	Drive Current ¹ (mA)	Typical V _f T _c = 25°C (V)	Typical Power T _j = 25°C (W)	Typical Flux ² T _c = 25°C (lm)	Typical DC Flux ³ T _c = 85°C (lm)	Typical Efficacy T _j = 25°C (lm/W)
Décor Class A Vero 10	BXRC-30A1001-B-23	80	93	175	24.9	4.4	435	386	100
				350	26.5	9.3	820	728	88
				500	27.6	13.8	1116	991	81
				700	29	20.3	1454	1292	72
Décor Class A Vero 10	BXRC-35A1001-B-23	80	93	175	24.9	4.4	482	428	111
				350	26.5	9.3	909	807	98
				500	27.6	13.8	1237	1098	90
				700	29	20.3	1612	1430	79
Décor Class A Vero 10	BXRC-40A1001-B-23	80	93	175	24.9	4.4	514	457	118
				350	26.5	9.3	970	861	105
				500	27.6	13.8	1321	1172	96
				700	29	20.3	1720	1527	85
Décor Class A Vero 13	BXRC-30A2001-C-23	80	93	175	30.2	5.3	572	508	108
				350	31.4	11.0	1095	972	100
				500	32.3	16.2	1500	1332	93
				700	33.4	23.4	1995	1772	85
				1050	35.1	36.9	2702	2400	73
Décor Class A Vero 13	BXRC-35A2001-C-23	80	93	175	30.2	5.3	620	556	117
				350	31.4	11.0	1188	1066	108
				500	32.3	16.2	1628	1461	101
				700	33.4	23.4	2165	1943	93
				1050	35.1	36.9	2932	2631	80
Décor Class A Vero 13	BXRC-40A2001-C-23	80	93	175	30.2	5.3	663	589	125
				350	31.4	11.0	1270	1127	116
				500	32.3	16.2	1740	1545	108
				700	33.4	23.4	2314	2055	99
				1050	35.1	36.9	3134	2783	85

Notes for Table 4:

1. Alternate drive currents in Table 4 are provided for reference only and are not a guarantee of performance.
2. Bridgelux maintains a ± 7% tolerance on flux measurements.
3. Typical stabilized DC performance values are provided as reference only and are not a guarantee of performance.

Performance at Commonly Used Drive Currents

Table 4: Product Performance at Commonly Used Drive Currents

Product	Part Number	GAI	CRI	Drive Current ¹ (mA)	Typical V _f T _c = 25°C (V)	Typical Power T _j = 25°C (W)	Typical Flux ² T _c = 25°C (lm)	Typical DC Flux ³ T _c = 85°C (lm)	Typical Efficacy T _j = 25°C (lm/W)
Décor Class A Vero 18	BXRC-30A4001-F-23	80	93	500	28.1	14.1	1483	1301	106
				700	28.7	20.1	2025	1777	101
				1050	29.5	31.0	2897	2543	94
				1400	30.2	42.3	3692	3241	87
				2100	31.6	66.4	5003	4391	75
Décor Class A Vero 18	BXRC-35A4001-F-23	80	93	500	28.1	14.1	1584	1423	113
				700	28.7	20.1	2164	1943	108
				1050	29.5	31.0	3096	2781	100
				1400	30.2	42.3	3946	3544	93
				2100	31.6	66.4	5347	4803	81
Décor Class A Vero 18	BXRC-40A4001-F-23	80	93	500	28.1	14.1	1732	1548	123
				700	28.7	20.1	2366	2114	118
				1050	29.5	31.0	3385	3025	109
				1400	30.2	42.3	4314	3855	102
				2100	31.6	66.4	5846	5224	88
Décor Class A Vero 29	BXRC-30A10K1-L-23	80	93	500	35.1	17.6	1964	1750	112
				700	35.6	24.9	2717	2421	109
				1050	36.4	38.2	3991	3556	104
				2100	38	79.8	7483	6668	94
				2800	39	109.2	9506	8470	87
				3150	39.5	124.4	10438	9301	84
				4200	40.4	169.7	12895	11490	76
Décor Class A Vero 29	BXRC-35A10K1-L-23	80	93	500	35.1	17.6	2166	1942	123
				700	35.6	24.9	2996	2687	120
				1050	36.4	38.2	4401	3946	115
				2100	38	79.8	8251	7399	103
				2800	39	109.2	10481	9399	96
				3150	39.5	124.4	11510	10321	93
				4200	40.4	169.7	14218	12750	84
Décor Class A Vero 29	BXRC-40A10K1-L-23	80	93	500	35.1	17.6	2275	2026	129
				700	35.6	24.9	3147	2803	126
				1050	36.4	38.2	4622	4116	121
				2100	38	79.8	8666	7718	109
				2800	39	109.2	11009	9805	101
				3150	39.5	124.4	12089	10767	97
				4200	40.4	169.7	14933	13300	88

Notes for Table 4:

1. Alternate drive currents in Table 4 are provided for reference only and are not a guarantee of performance.
2. Bridgelux maintains a ± 7% tolerance on flux measurements.
3. Typical stabilized DC performance values are provided as reference only and are not a guarantee of performance.

Electrical Characteristics

Table 5: Electrical Characteristics

Part Number	Nominal Drive Current ¹ (mA)	Forward Voltage Pulsed, T _c = 25°C (V) ^{1, 2, 3}			Typical Coefficient of Forward Voltage ⁴ $\Delta V_f / \Delta T_c$ (mV/°C)	Typical Thermal Resistance Junction to Case ^{5, 6} R _{j-c} (C/W)	Driver Selection Voltages ⁷ (V)	
		Minimum	Typical	Maximum			V _f Min. Hot T _c = 105°C (V)	V _f Max. Cold ⁴ T _c = -40°C (V)
BXRC-xxA1001-B-23	350	24.5	26.5	29.0	-16	0.47	23.2	29.5
	700	26.5	29.0	31.2	-16	0.59	25.2	32.2
BXRC-xxA2001-C-23	500	29.9	32.3	34.7	-17	0.22	28.5	35.8
	1050	32.0	35.1	37.9	-17	0.28	30.6	39.0
BXRC-xxA4001-F-23	1050	27.3	29.5	31.7	-15	0.13	26.1	32.7
	2100	29.2	31.6	34.2	-15	0.17	28.0	35.2
BXRC-xxA10K1-L-23	2100	35.2	38.0	40.9	-20	0.06	33.6	42.2
	4200	37.3	40.4	44.0	-20	0.07	35.7	45.3

Notes for Table 5:

- Parts are tested in pulsed conditions, T_c = 25°C. Pulse width is 10ms.
- Voltage minimum and maximum are provided for reference only and are not a guarantee of performance.
- Bridgelux maintains a tester tolerance of ± 0.10V on forward voltage measurements.
- Typical coefficient of forward voltage tolerance is ± 0.1mV for nominal current.
- Thermal resistance values are based from test data of a 3000K 80 CRI product.
- Thermal resistance value was calculated using total electrical input power; optical power was not subtracted from input power. The thermal interface material used during testing is not included in the thermal resistance value.
- V_f min hot and max cold values are provided as reference only and are not guaranteed by test. These values are provided to aid in driver design and selection over the operating range of the product.

Absolute Maximum Ratings

Table 6: Maximum Ratings

Parameter	Maximum Rating			
LED Junction Temperature	150°C			
Storage Temperature	-40°C to +105°C			
Operating Case Temperature ^{1,2}	105°C			
Soldering Temperature ³	350°C or lower for a maximum of 10 seconds			
	BXRC-xxA1001-B-23	BXRC-xxA2001-C-23	BXRC-xxA4001-F-23	BXRC-xxA10K1-L-23
Maximum Drive Current ¹	700 mA	1050 mA	2100 mA	4200 mA
Maximum Peak Pulsed Drive Current ⁴	1500 mA	1500 mA	3000 mA	6000 mA
Maximum Reverse Voltage ⁵	-45V	-55 V	-55 V	-65 V

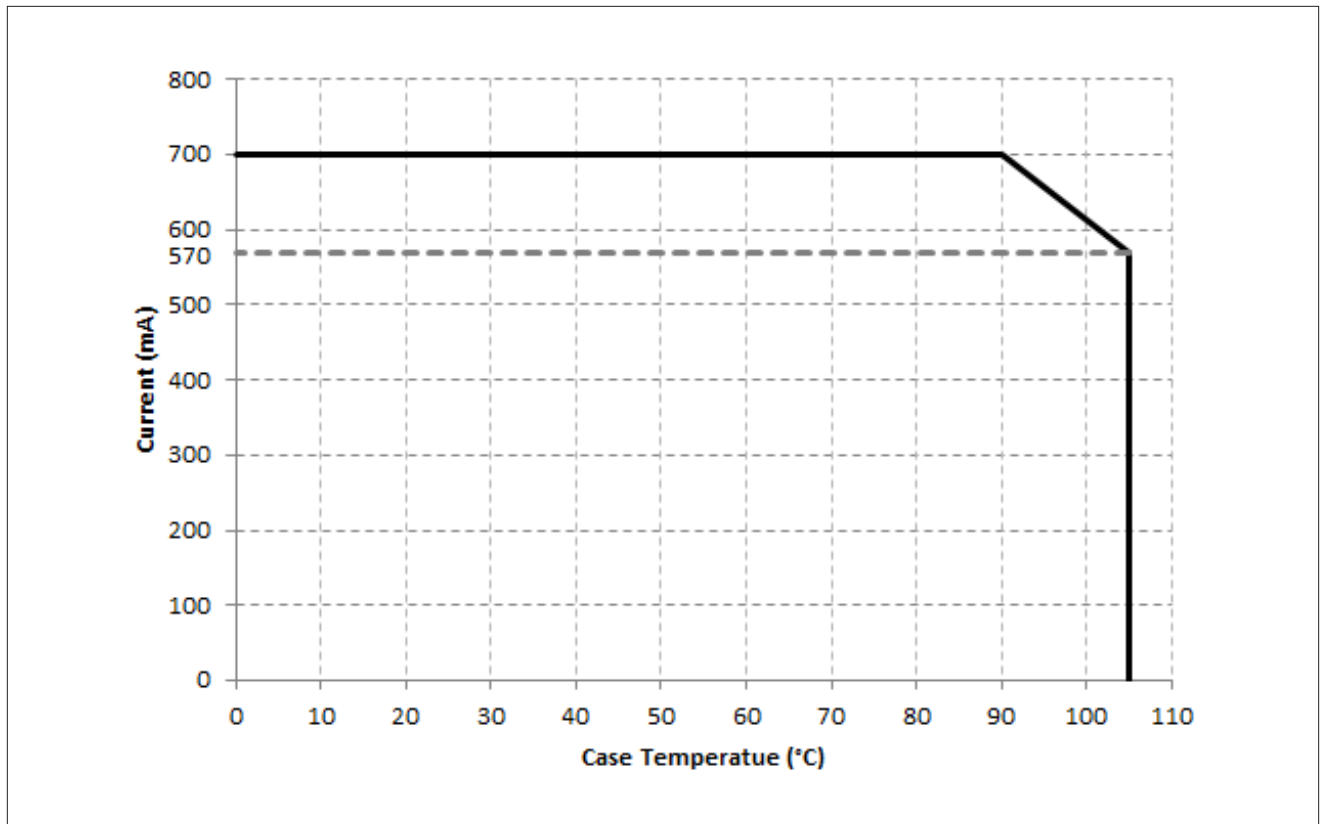
Notes for Table 6:

1. Please refer to Figures 1 and 2 for drive current derating curve for Vero 10 and Vero 29. Vero 13 and Vero 18 may be driven at 2 times nominal current upto 105°C.
2. For IEC 62717 requirement, please contact Bridgelux Sales Support.
3. See Bridgelux Application Note AN31, Assembly Considerations for Vero LED arrays, for more information.
4. Bridgelux recommends a maximum duty cycle of 10% and pulse width of 20ms when operating LED Arrays at the maximum peak pulsed current specified. Maximum peak pulsed current indicate values where the LED array can be driven without catastrophic failures.
5. Light emitting diodes are not designed to be driven in reverse voltage and will not produce light under this condition. Maximum rating provided for reference only.

Performance Curves

The maximum allowable drive current for the Vero 10 and Vero 29 product families is dependent on the operating case temperature. Please refer to the Product Feature Map (page 2) for the location of the T_c Point.

Figure 1: Vero 10 Drive Current Derating Curve

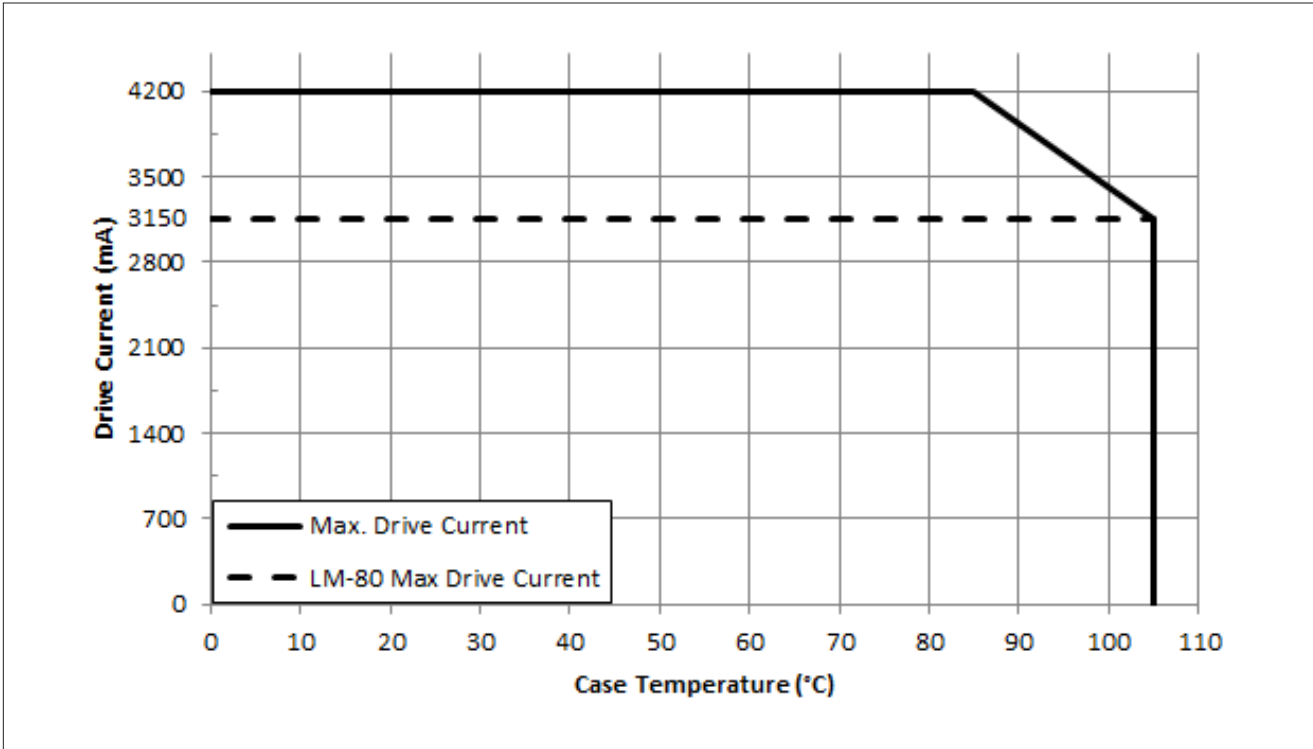


Notes for Figure 1:

1. In order to meet LM-80 lifetime projections Vero 10 may be driven up to 700mA at case temperatures up to 90°C. Operating conditions above case temperatures of 90°C driving conditions must follow the Vero 10 Drive Current Derating Curve.
2. Lumen maintenance (L70) and lifetime predictions are valid for drive current and case temperature conditions used for LM-80 testing as included in the applicable LM-80 test report for these products. Contact your Bridgelux sales representative for LM-80 report.

Performance Curves

Figure 2: Vero 29 Drive Current Derating Curve



Notes for Figure 2:

1. LM-80 Max Drive Current must not be exceeded in order to meet LM-80 lifetime projections.
2. Lumen maintenance (L70) and lifetime predictions are valid for drive current and case temperature conditions used for LM-80 testing as included in the applicable LM-80 test report for these products. Contact your Bridgelux sales representative for LM-80 report.

Performance Curves

Figure 3: Vero 10 Drive Current vs. Forward Voltage
($T_j=T_c=25^\circ\text{C}$)

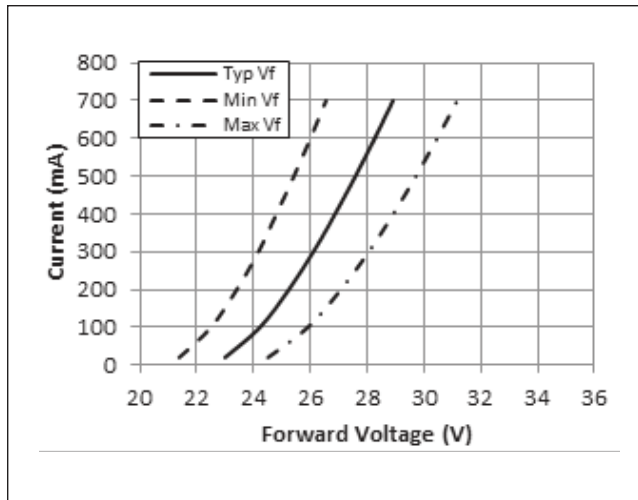


Figure 4: Vero 13 Drive Current vs. Forward Voltage
($T_j=T_c=25^\circ\text{C}$)

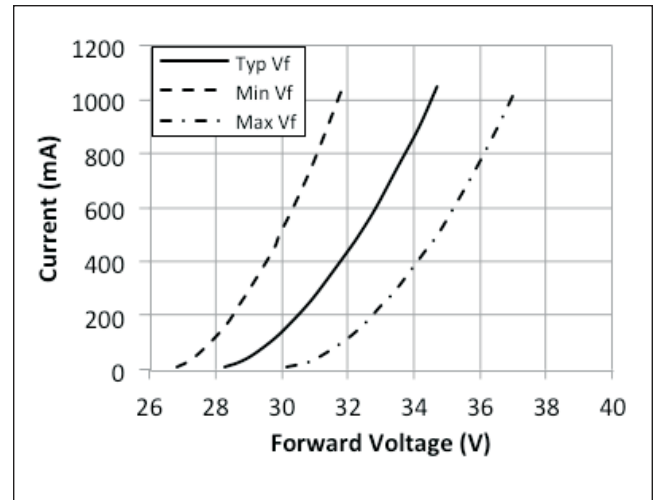


Figure 5: Vero 18 Drive Current vs. Forward Voltage
($T_j=T_c=25^\circ\text{C}$)

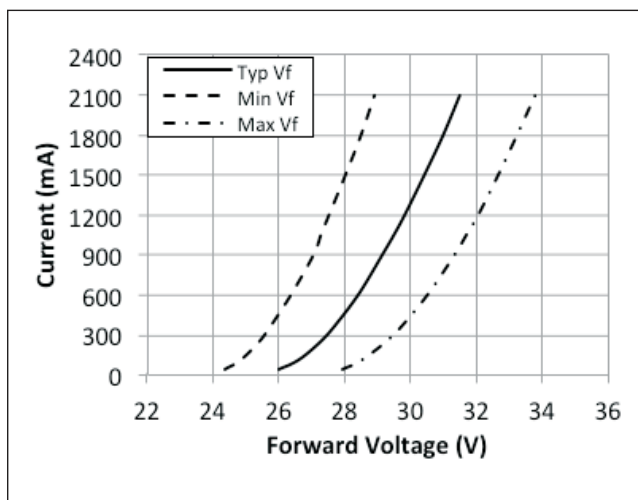
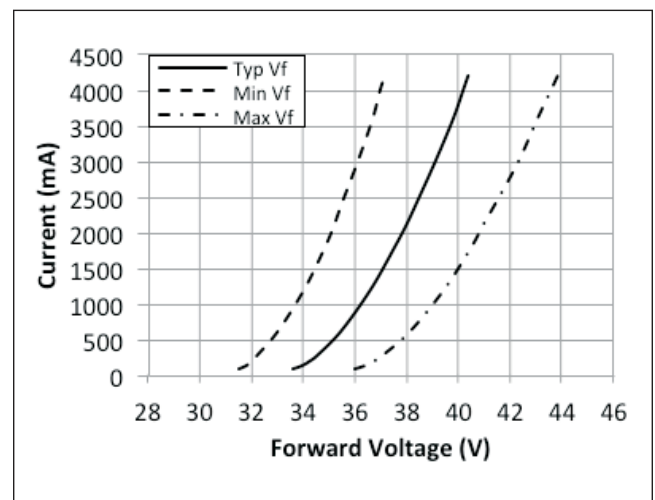


Figure 6: Vero 29 Drive Current vs. Forward Voltage
($T_j=T_c=25^\circ\text{C}$)



Performance Curves

Figure 7: Vero 10 Typical Relative Luminous Flux vs. Drive Current

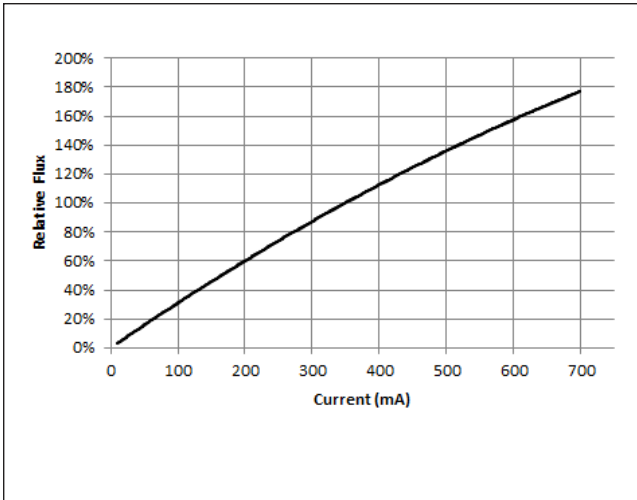


Figure 8: Vero 13 Typical Relative Luminous Flux vs. Drive Current

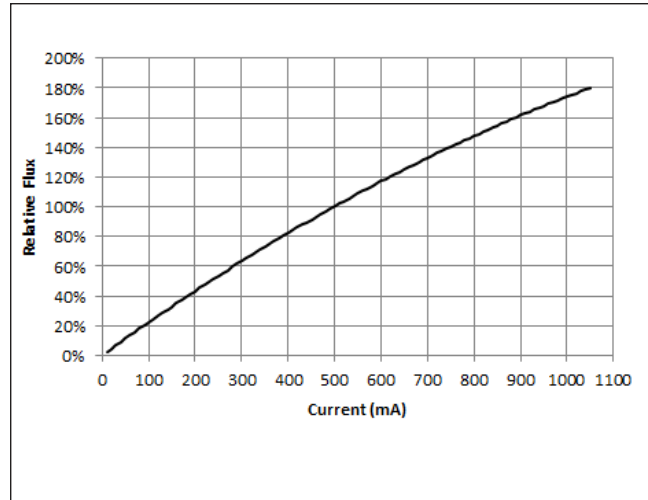


Figure 9: Vero 18 Typical Relative Luminous Flux vs. Drive Current

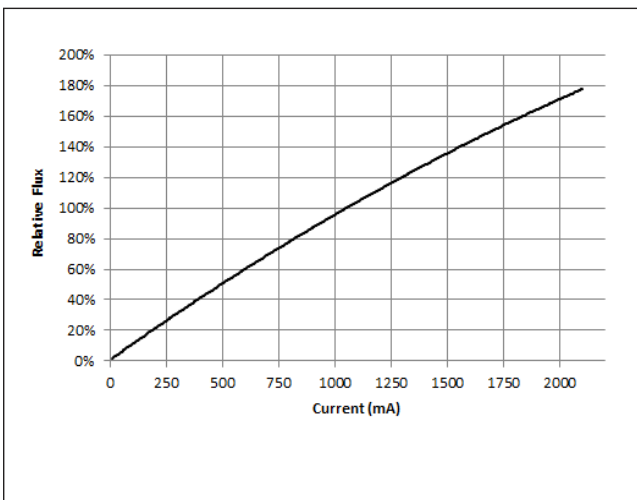
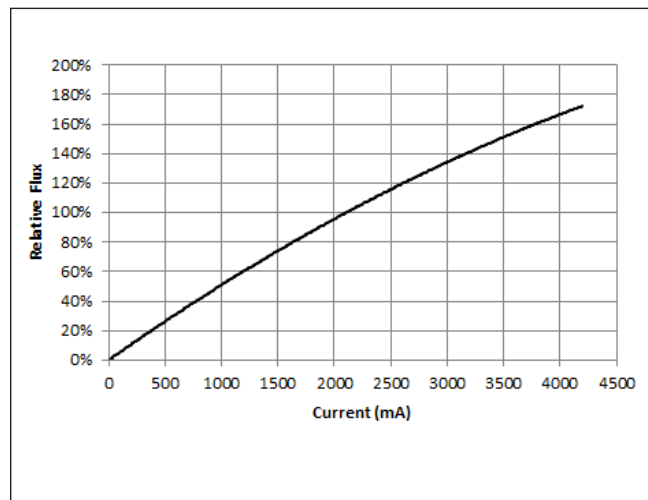


Figure 10: Vero 29 Typical Relative Luminous Flux vs. Drive Current



Performance Curves

Figure 11: Vero 10 Typical Relative Luminous Flux vs. Case Temperature¹

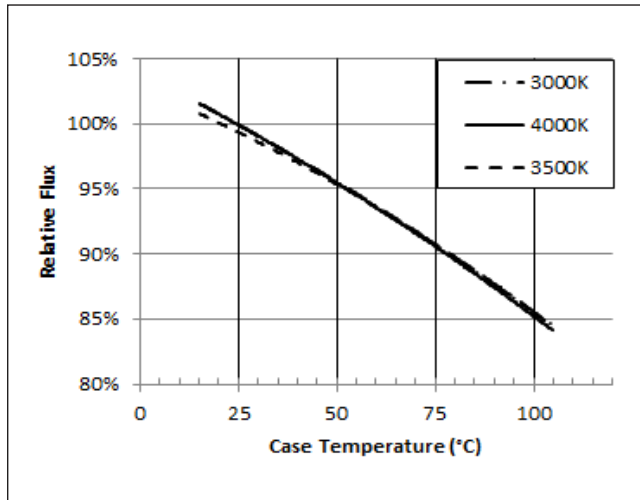


Figure 12: Vero 13 Typical Relative Luminous Flux vs. Case Temperature¹

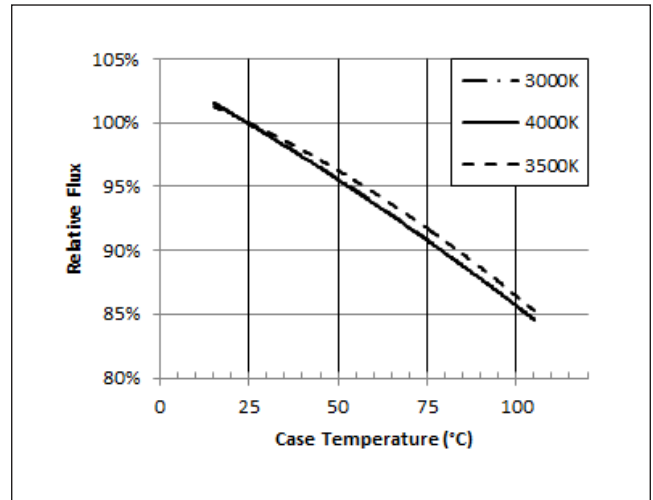


Figure 13: Vero 18 Typical Relative Luminous Flux vs. Case Temperature¹

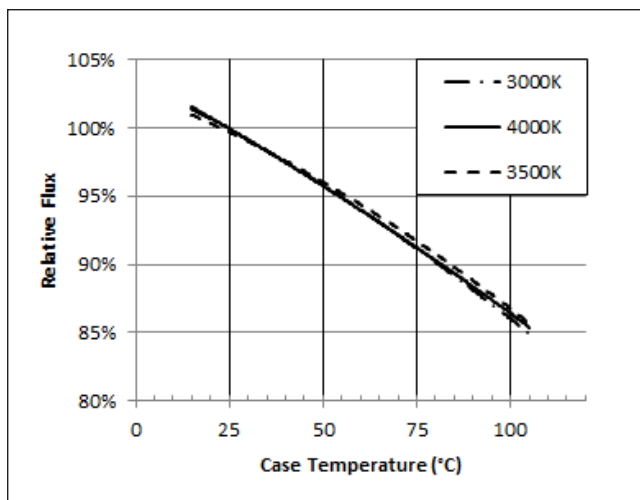
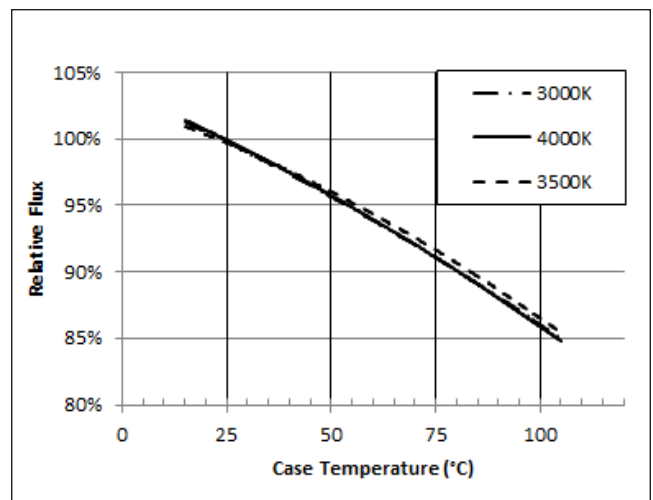


Figure 14: Vero 29 Typical Relative Luminous Flux vs. Case Temperature¹



Note for Figures 11-14:

1. Flux measurements taken under DC conditions.

Performance Curves

Figure 15: 3000K Class A Color Shift vs. Case Temperature¹

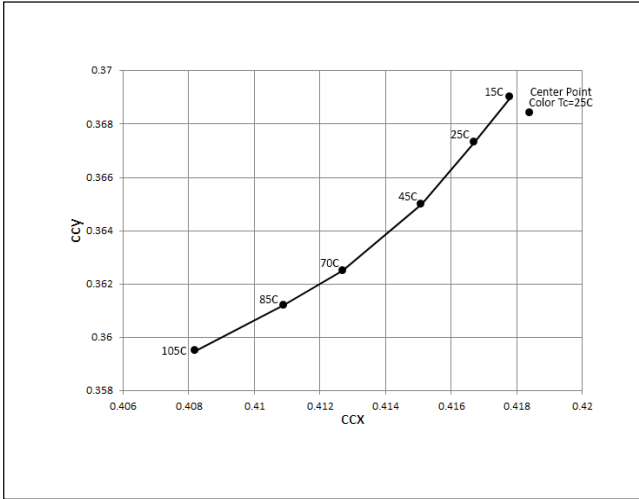


Figure 16: 3500K Class A Color Shift vs. Case Temperature¹

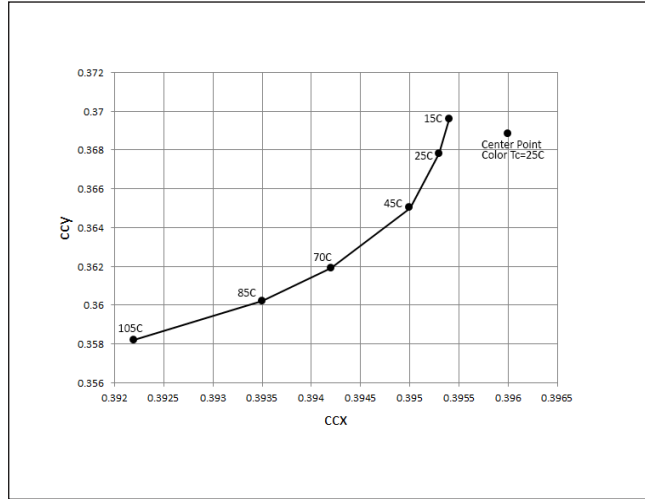
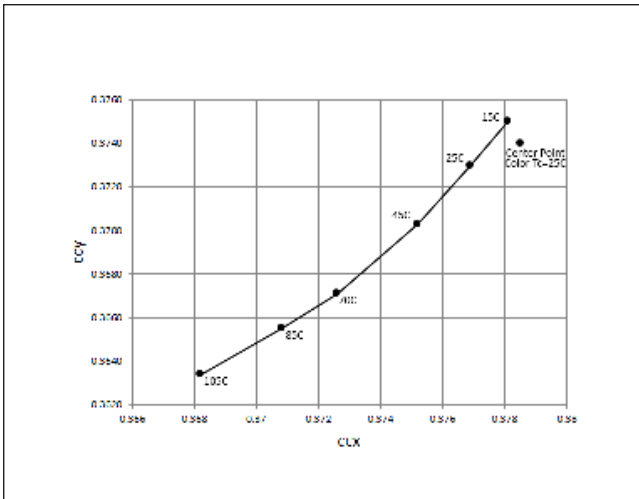


Figure 17: 4000K Class A Color Shift vs. Case Temperature¹

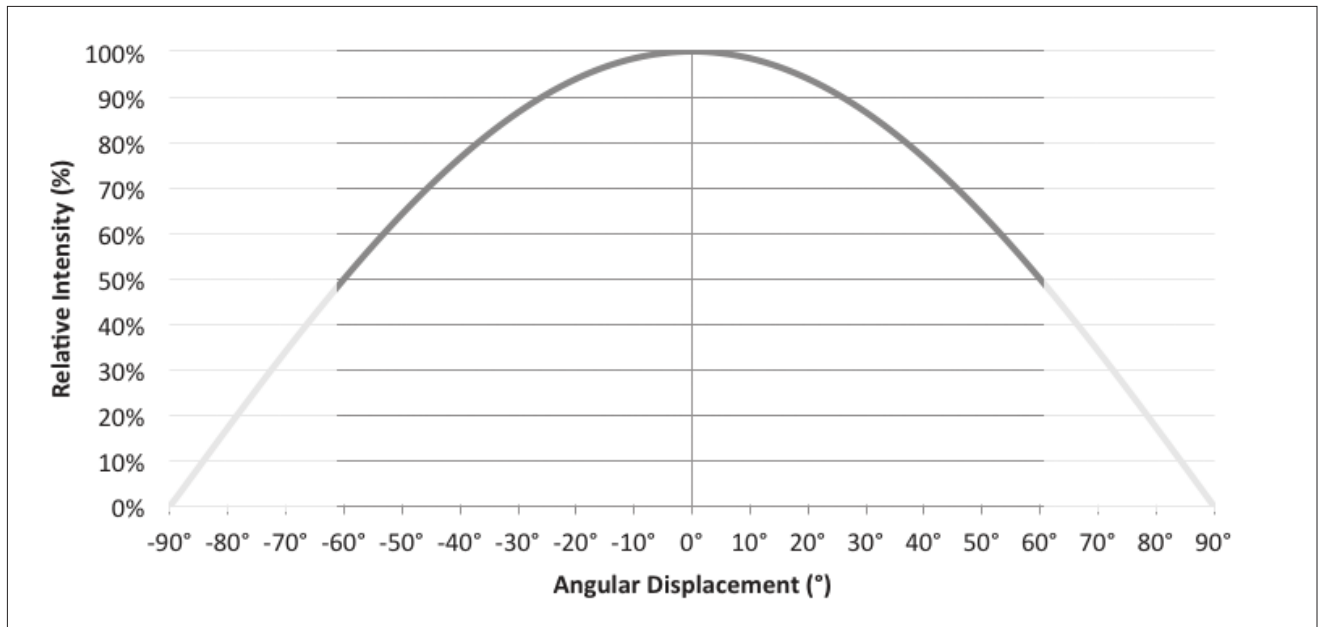


Note for Figures 15-17:

1. Measurements made under DC test conditions at the nominal drive current.
2. Typical color shift is shown with a tolerance of ± 0.002 .

Typical Radiation Pattern

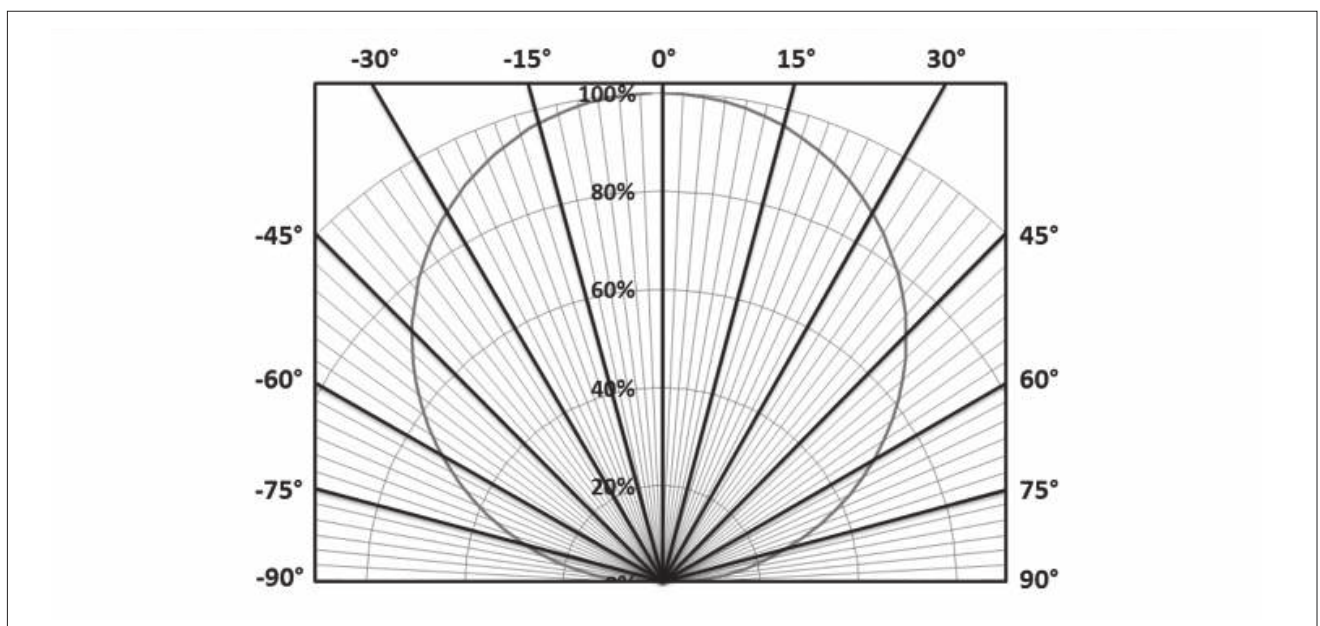
Figure 18: Typical Spatial Radiation Pattern



Notes for Figure 18:

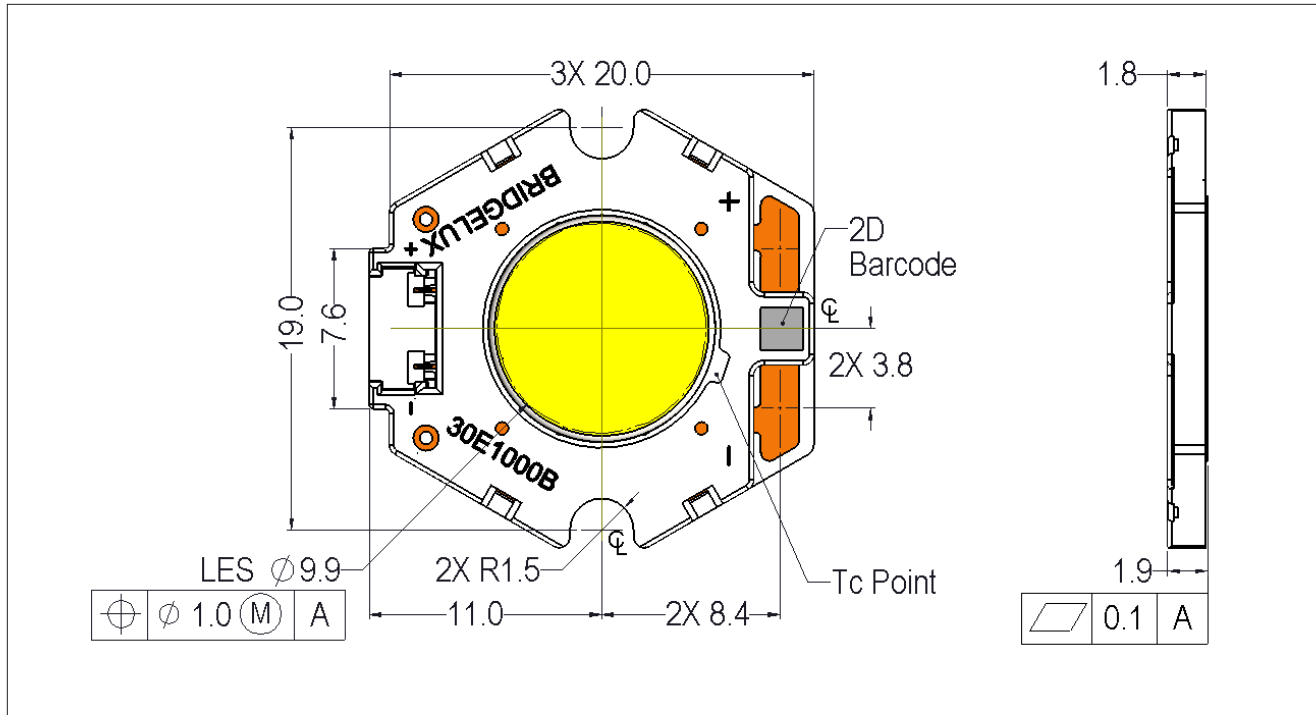
1. Typical viewing angle is 120°.
2. The viewing angle is defined as the off axis angle from the centerline where I_v is $\frac{1}{2}$ of the peak value.

Figure 19: Typical Polar Radiation Pattern



Mechanical Dimensions

Figure 20: Drawing for Vero 10 LED Array

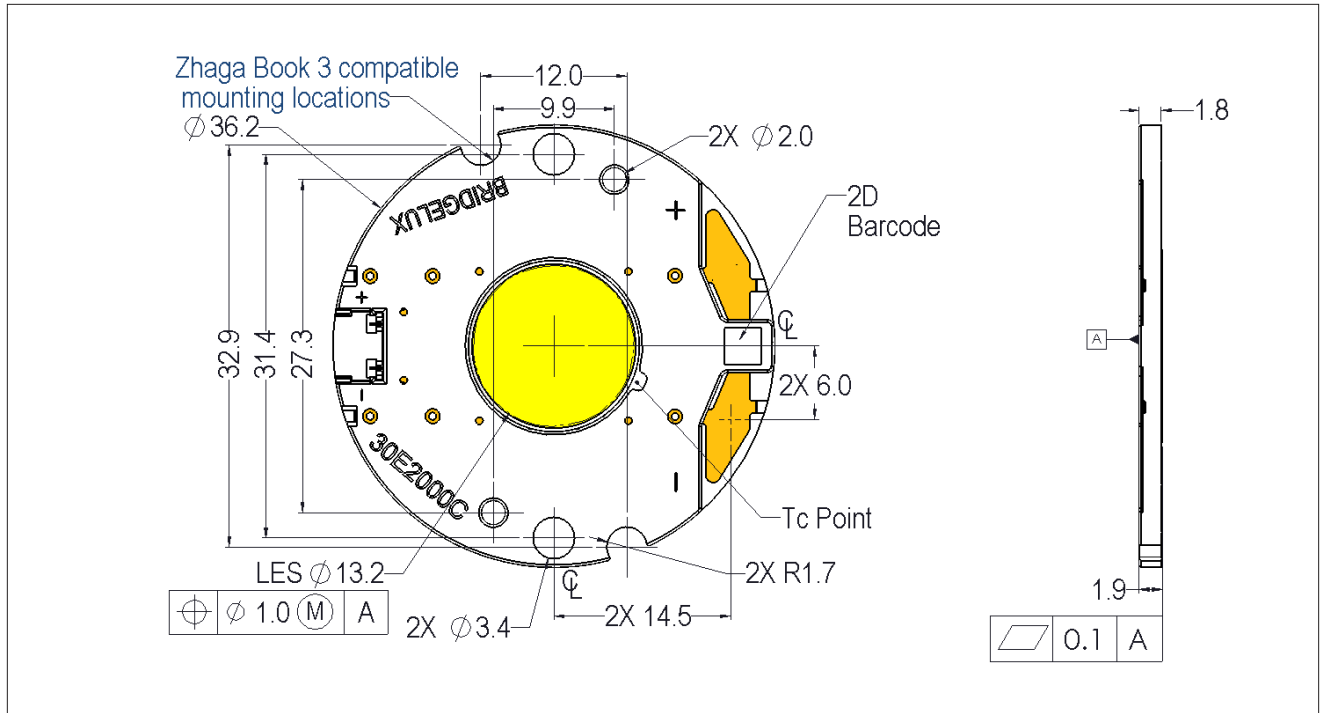


Notes for Figure 20:

1. Drawings are not to scale.
2. Drawing dimensions are in millimeters.
3. Unless otherwise specified, tolerances are $\pm 0.01\text{mm}$.
4. Mounting slots (2X) are for M2.5 screws.
5. Bridgelux recommends two tapped holes for mounting screws with $19.0 \pm 0.10\text{mm}$ center-to-center spacing.
6. Screws with flat shoulders (pan, dome, button, round, truss, mushroom) provide optimal torque control. Do NOT use flat, countersink, or raised head screws.
7. Solder pads and connector port are labeled "+" and "-" to denote positive and negative, respectively.
8. It is not necessary to provide electrical connections to both the solder pads and the connector port. Either set may be used depending on application specific design requirements.
9. Refer to Application Notes AN30 and AN31 for product handling, mounting and heat sink recommendations.
10. The optical center of the LED Array is nominally defined by the mechanical center of the array to a tolerance of $\pm 0.2\text{mm}$.
11. Bridgelux maintains a flatness of 0.10mm across the mounting surface of the array.

Mechanical Dimensions

Figure 21: Drawing for Vero 13 LED Array

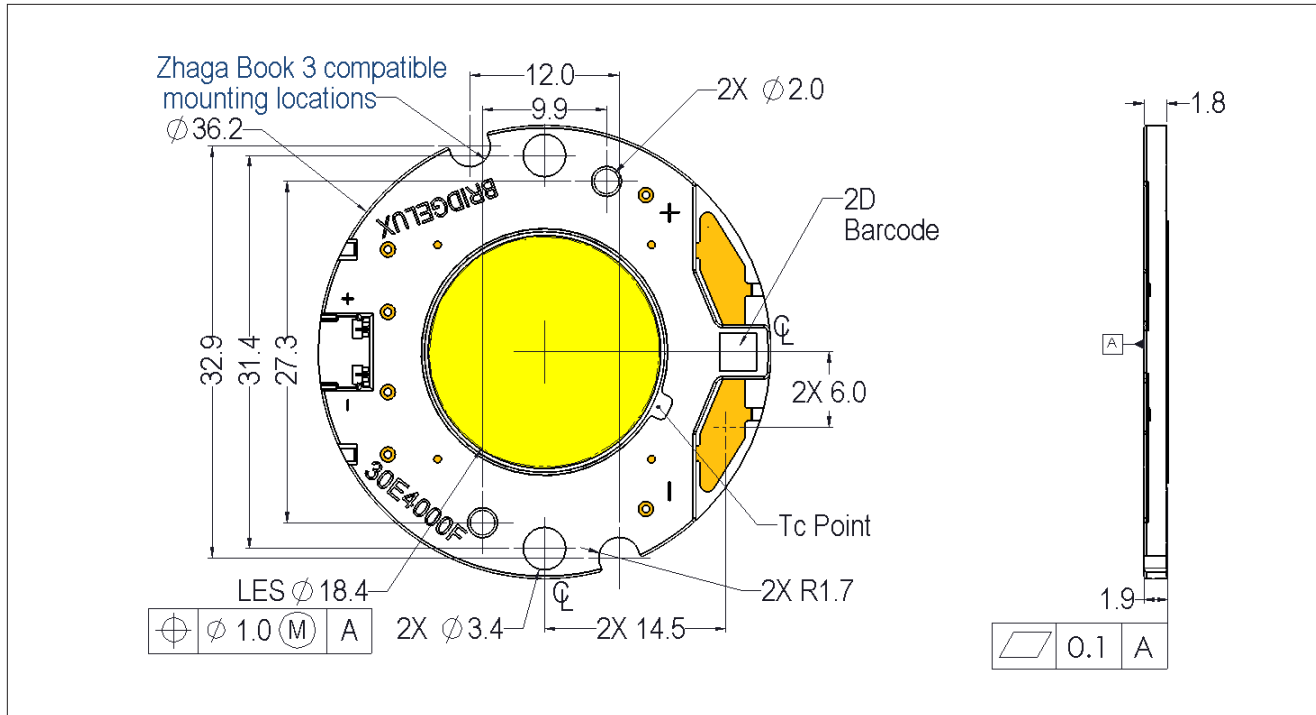


Notes for Figure 21:

1. Drawings are not to scale.
2. Drawing dimensions are in millimeters.
3. Unless otherwise specified, tolerances are $\pm 0.01\text{mm}$.
4. Mounting holes (2X) are for M2.5 screws.
5. Bridgelux recommends two tapped holes for mounting screws with $31.4 \pm 0.10\text{mm}$ center-to-center spacing.
6. Screws with flat shoulders (pan, dome, button, round, truss, mushroom) provide optimal torque control. Do NOT use flat, countersink, or raised head screws.
7. Solder pads and connector port are labeled "+" and "-" to denote positive and negative, respectively.
8. It is not necessary to provide electrical connections to both the solder pads and the connector port. Either set may be used depending on application specific design requirements.
9. Refer to Application Notes AN30 and AN31 for product handling, mounting and heat sink recommendations.
10. The optical center of the LED Array is nominally defined by the mechanical center of the array to a tolerance of $\pm 0.2\text{mm}$.
11. Bridgelux maintains a flatness of 0.10mm across the mounting surface of the array.

Mechanical Dimensions

Figure 22: Drawing for Vero 18 LED Array

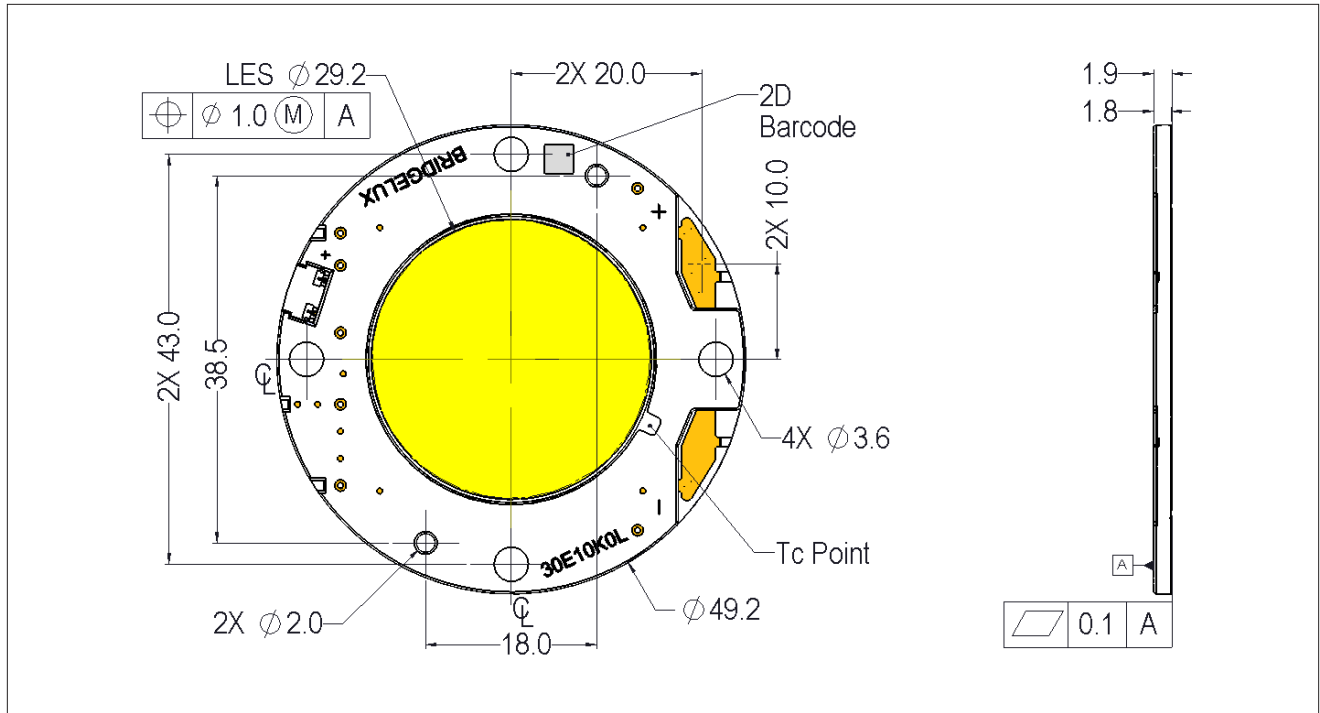


Notes for Figure 22:

1. Drawings are not to scale.
2. Drawing dimensions are in millimeters.
3. Unless otherwise specified, tolerances are $\pm 0.01\text{mm}$.
4. Mounting holes (2X) are for M2.5 screws.
5. Bridgelux recommends two tapped holes for mounting screws with $31.4 \pm 0.10\text{mm}$ center-to-center spacing.
6. Screws with flat shoulders (pan, dome, button, round, truss, mushroom) provide optimal torque control. Do NOT use flat, countersink, or raised head screws.
7. Solder pads and connector port are labeled "+" and "-" to denote positive and negative, respectively.
8. It is not necessary to provide electrical connections to both the solder pads and the connector port. Either set may be used depending on application specific design requirements.
9. Refer to Application Notes AN30 and AN31 for product handling, mounting and heat sink recommendations.
10. The optical center of the LED Array is nominally defined by the mechanical center of the array to a tolerance of $\pm 0.2\text{mm}$.
11. Bridgelux maintains a flatness of 0.10mm across the mounting surface of the array.

Mechanical Dimensions

Figure 23: Drawing for Vero 29 LED Array

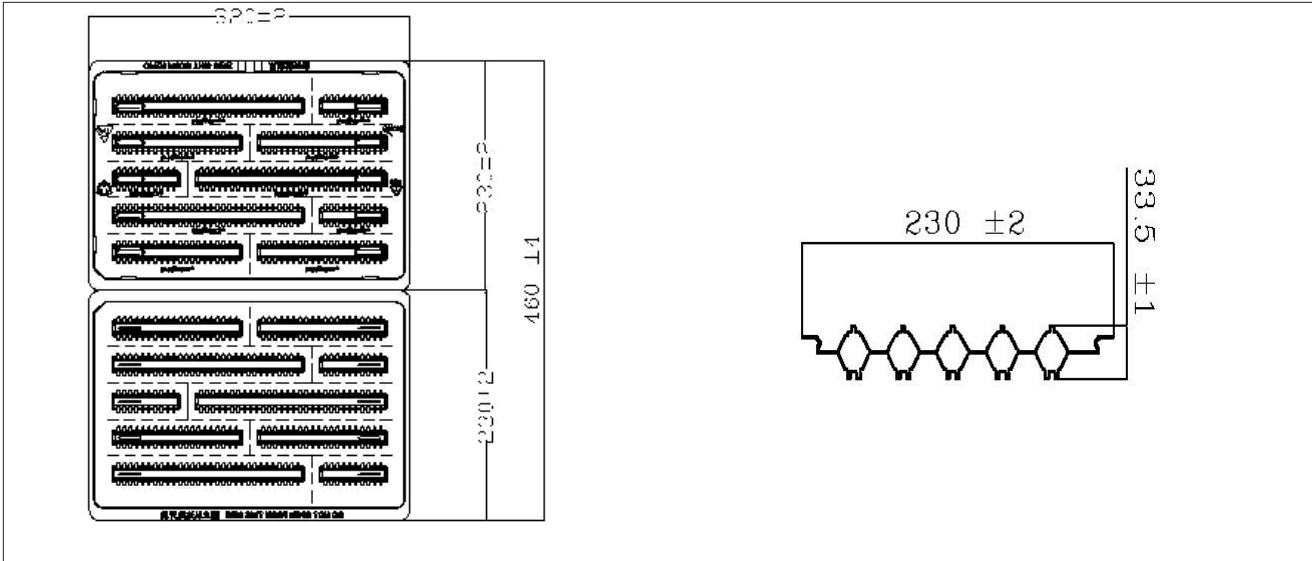


Notes for Figure 23:

1. Drawings are not to scale.
2. Drawing dimensions are in millimeters.
3. Unless otherwise specified, tolerances are $\pm 0.01\text{mm}$.
4. Mounting holes (2X) are for M3 screws.
5. Bridgelux recommends two tapped holes for mounting screws with $43.0 \pm 0.10\text{mm}$ center-to-center spacing.
6. Screws with flat shoulders (pan, dome, button, round, truss, mushroom) provide optimal torque control. Do NOT use flat, countersink, or raised head screws.
7. Solder pads and connector port are labeled "+" and "-" to denote positive and negative, respectively.
8. It is not necessary to provide electrical connections to both the solder pads and the connector port. Either set may be used depending on application specific design requirements.
9. Refer to Application Notes AN30 and AN31 for product handling, mounting and heat sink recommendations.
10. The optical center of the LED Array is nominally defined by the mechanical center of the array to a tolerance of $\pm 0.2\text{mm}$.
11. Bridgelux maintains a flatness of 0.10mm across the mounting surface of the array.

Packaging and Labeling

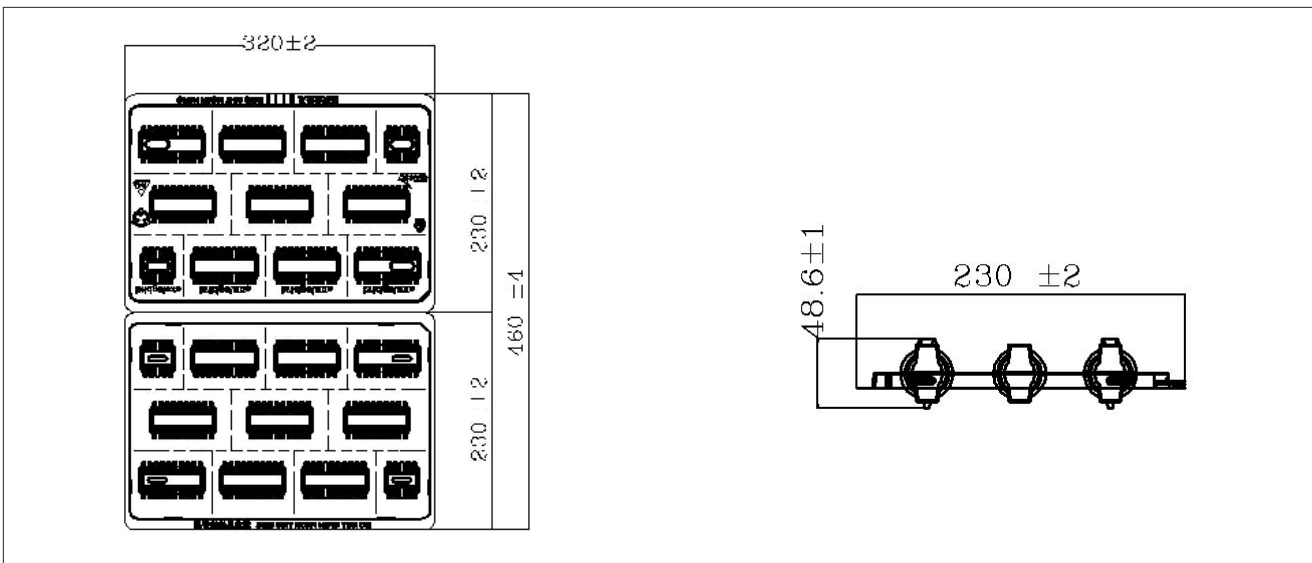
Figure 24: Drawing for Vero 10 Packaging Tray



Notes for Figure 24:

1. Dimensions are in millimeters.
2. Drawing is not to scale.

Figure 25: Drawing for Vero 13 Packaging Tray

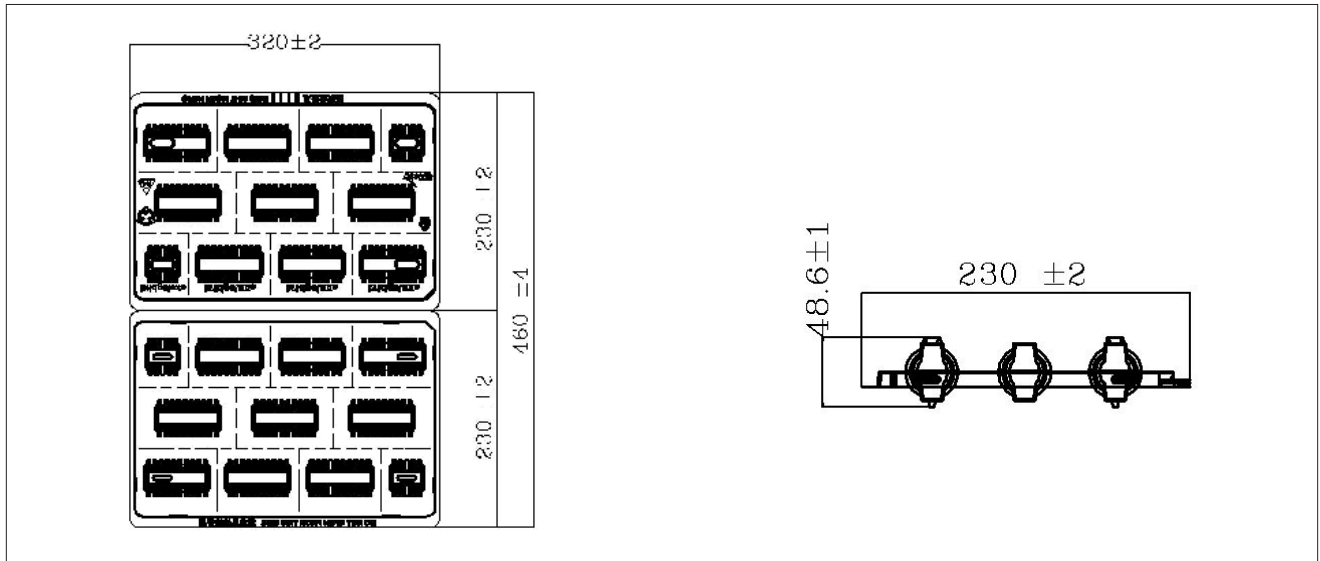


Notes for Figure 25:

1. Dimensions are in millimeters.
2. Drawing is not to scale.

Packaging Labeling

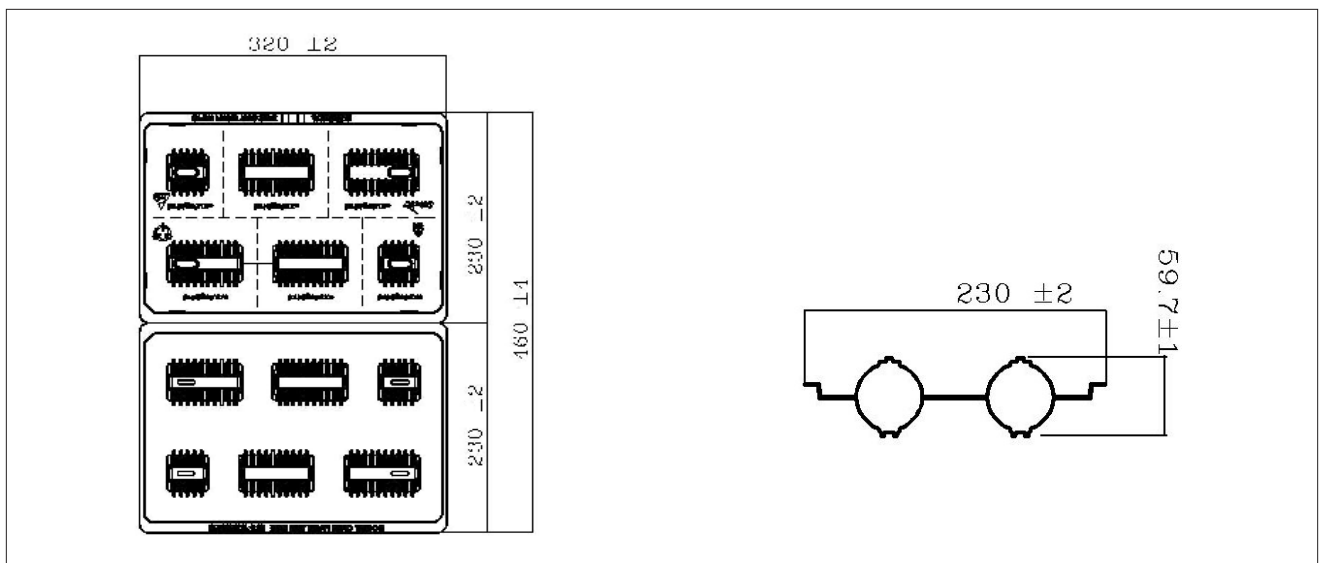
Figure 26: Drawing for Vero 18 Packaging Tray



Notes for Figure 26:

1. Dimensions are in millimeters.
2. Drawing is not to scale.

Figure 27: Drawing for Vero 29 Packaging Tray

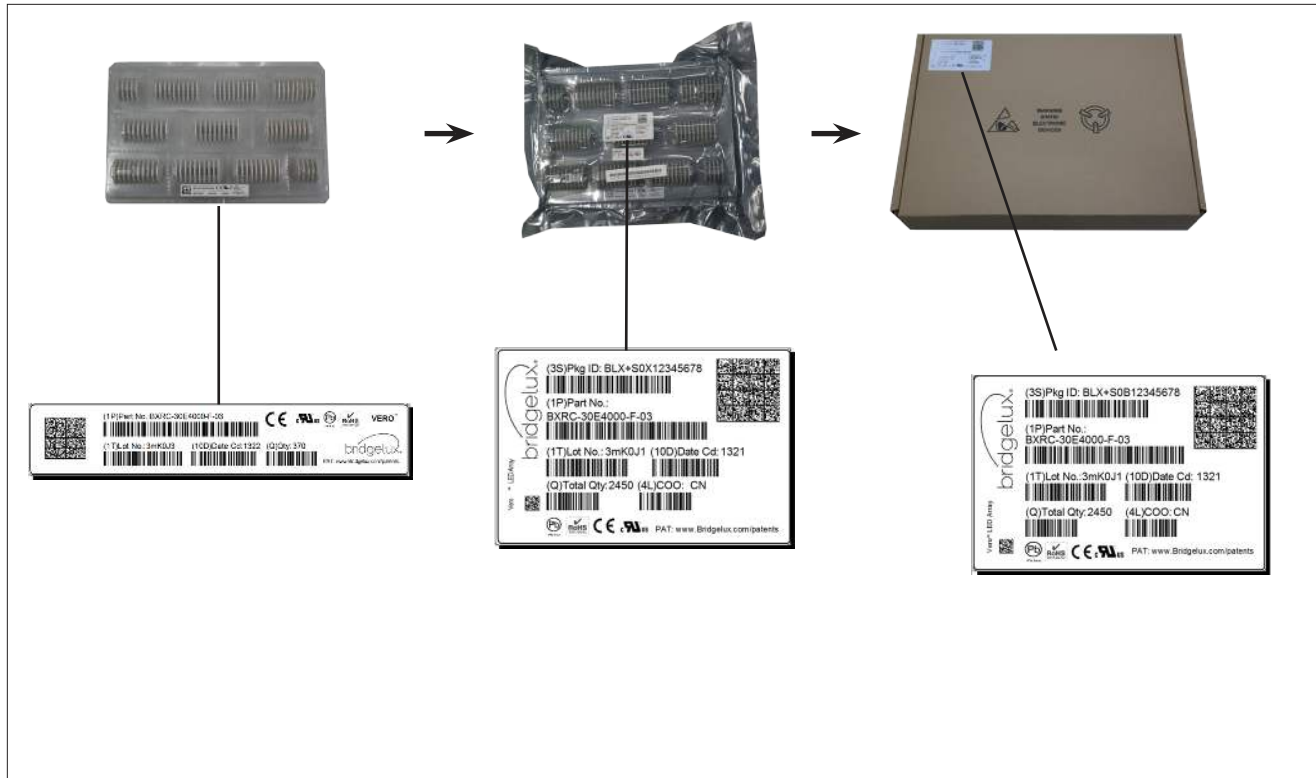


Notes for Figure 27:

1. Dimensions are in millimeters.
2. Drawing is not to scale.

Packaging and Labeling

Figure 28: Vero Series Packaging and Labeling



Notes for Figure 33:

1. Each tray holds for Vero 10: 200 COBs, Vero 13: 100 COBs, Vero 18: 100 COBs, Vero 29: 50 COBs.
2. Each tray is vacuum sealed in an anti-static bag and placed in its own box.
3. Each tray, bag and box is to be labeled as shown above.

Figure 29: Product Labeling

Bridgelux COB arrays have laser markings on the back side of the substrate to help with product identification. In addition to the product identification markings, Bridgelux COB arrays also contain markings for internal Bridgelux manufacturing use only. The image below shows which markings are for customer use and which ones are for Bridgelux internal use only. The Bridgelux internal manufacturing markings are subject to change without notice, however these will not impact the form, function or performance of the COB array.



Design Resources

Application Notes

Bridgelux has developed a comprehensive set of application notes and design resources to assist customers in successfully designing with the Vero product family of LED array products. For all available application notes visit www.bridgelux.com.

Optical Source Models

Optical source models and ray set files are available for all Bridgelux products. For a list of available formats, visit www.bridgelux.com.

3D CAD Models

Three dimensional CAD models depicting the product outline of all Bridgelux Vero LED arrays are available in both IGS and STEP formats. Please contact your Bridgelux sales representative for assistance.

Precautions

CAUTION: CHEMICAL EXPOSURE HAZARD

Exposure to some chemicals commonly used in luminaire manufacturing and assembly can cause damage to the LED array. Please consult Bridgelux Application Note AN31 for additional information.

CAUTION: EYE SAFETY

Eye safety classification for the use of Bridgelux Vero LED arrays is in accordance with IEC specification EN62471: Photobiological Safety of Lamps and Lamp Systems. Vero LED arrays are classified as Risk Group 1 (Low Risk) when operated at or below the maximum drive current. Please use appropriate precautions. It is important that employees working with LEDs are trained to use them safely.

CAUTION: RISK OF BURN

Do not touch the Vero LED array during operation. Allow the array to cool for a sufficient period of time before handling. The Vero LED array may reach elevated temperatures such that could burn skin when touched.

CAUTION

CONTACT WITH LIGHT EMITTING SURFACE (LES)

Avoid any contact with the LES. Do not touch the LES of the LED array or apply stress to the LES (yellow phosphor resin area). Contact may cause damage to the LED array.

Optics and reflectors must not be mounted in contact with the LES (yellow phosphor resin area). Optical devices may be mounted on the top surface of the plastic housing of the Vero LED array. Use the mechanical features of the LED array housing, edges and/or mounting holes to locate and secure optical devices as needed.

Disclaimers

MINOR PRODUCT CHANGE POLICY

The rigorous qualification testing on products offered by Bridgelux provides performance assurance. Slight cosmetic changes that do not affect form, fit, or function may occur as Bridgelux continues product optimization.

STANDARD TEST CONDITIONS

Unless otherwise stated, array testing is performed at the nominal drive current.

About Bridgelux: We Build Light That Transforms

At Bridgelux, we help companies, industries and people experience the power and possibility of light. Since 2002, we've designed LED solutions that are high performing, energy efficient, cost effective and easy to integrate. Our focus is on light's impact on human behavior, delivering products that create better environments, experiences and returns—both experiential and financial. And our patented technology drives new platforms for commercial and industrial luminaires.

For more information about the company, please visit
bridgelux.com
twitter.com/Bridgelux
facebook.com/Bridgelux
WeChat ID: BridgeluxInChina



101 Portola Avenue
Livermore, CA 94551
Tel (925) 583-8400
Fax (925) 583-8410
www.bridgelux.com

© 2016 Bridgelux, Inc. All rights reserved 2016. Product specifications are subject to change without notice. Bridgelux, the Bridgelux stylized logo design and Vero are registered trademarks, and Decor Series is a trademark of Bridgelux, Inc. All other trademarks are the property of their respective owners.

Bridgelux Vero Decor Series Class A Product Data Sheet DS35 Rev C (03/2016)