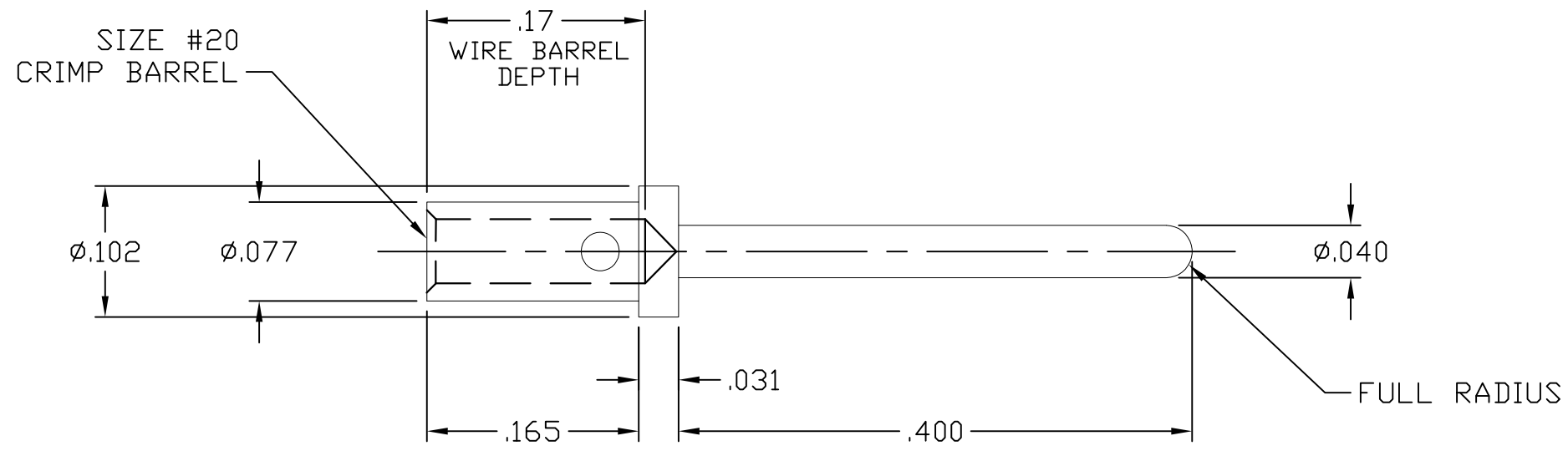


THIS DRAWING IS UNPUBLISHED. RELEASED FOR PUBLICATION  
 © COPYRIGHT BY TYCO ELECTRONICS CORPORATION. ALL INTERNATIONAL RIGHTS RESERVED.

LOC	DIST	REVISIONS					
GP	00	P	LTR	DESCRIPTION	DATE	DWN	APVD
			B	REV PER ECO-08-015320	23JUN08	RG	DO



- 6. FOR TERMINATION, USE FOLLOWING EQUIPMENT:  
 SHOWN FOR REFERENCE ONLY (USER SUPPLIED)  
 CRIMP TOOL: M22520/1-01  
 TURRET HEAD/LOCATOR: M22520/1-02
- 5 FINISH: GOLD PLATED, .000030 MIN THICK  
 OVER NICKEL PLATED, .000050 MIN THICK
- 4 FINISH: GOLD PLATED, .000010 MIN THICK  
 OVER NICKEL PLATED, .000050 MIN THICK
- 3. MATERIAL: BRASS ALLOY.
- 2. ITEMS PROVIDED TO THIS SPECIFICATION SHALL BE IDENTIFIED  
 ON THE CONTAINER WITH THE FOLLOWING INFORMATION:  
 PART NUMBER & DATE CODE OF MANUFACTURE.
- 1. PART NUMBER CHANGES AND OR DESIGN CHANGES AFFECTING ITEM  
 INTERCHANGEABILITY REQUIRE PRIOR TYCO ELECTRONICS APPROVAL  
 AND AUTHORIZATION BY REVISION TO THIS DRAWING.

5	1650162-3
4	1650162-2
DESCRIPTION	PART NUMBER

THIS DRAWING IS A CONTROLLED DOCUMENT.		DWN	04/10/06		Tyco Electronics Corporation	
DIMENSIONS: INCHES		CHK	-		Harrisburg, PA 17105-3608	
TOLERANCES UNLESS OTHERWISE SPECIFIED:		D. ORRIS	04/10/06		NAME	
0 PLC ± -		FLICKINGER	-		CONTACT, PIN, SIZE No.20	
1 PLC ± -		PRODUCT SPEC	-		CRIMP	
2 PLC ± .02		APPLICATION SPEC	-		POSTMATE, .27 PIN EXT.	
3 PLC ± .010		WEIGHT	-		SIZE	CAGE CODE
4 PLC ± -		CUSTOMER DRAWING	-		A3	00779
ANGLES ± .5		SCALE	8:1		DRAWING NO	RESTRICTED TO
FINISH		-		C-1650162		-
MATERIAL		-		SCALE	SHEET	REV
-		-		8:1	1 OF 1	B