

MINI MCR-SL-PTB - Power terminal block



2864134

<https://www.phoenixcontact.com/us/products/2864134>

Please be informed that the data shown in this PDF document is generated from our online catalog. Please find the complete data in the user documentation. Our general terms of use for downloads are valid.



MCR power terminal block for supplying several MINI Analog modules via the DIN rail connector, with screw connection, maximum current consumption of up to 2 A

Product description

The 6.2 mm wide MINI MCR-SL-PTB... power terminal is used for supplying the DIN rail connector with supply voltage.

Two separate voltage inputs allow a redundant voltage supply of 24 V DC and a maximum current of 2 A.

A green LED on the front panel lights up when there is supply voltage on the DIN rail connector. Red LEDs indicate supply voltages connected with reversed polarity. When the supply voltage has been connected correctly, the red LED extinguishes.

Your advantages

- For supplying the supply voltage via the foot element (DIN rail connector) where DC voltages of up to 30 V are already available
- Status and error indication via diagnostic LEDs

Commercial data

| | |
|--------------------------------------|---------------------|
| Item number | 2864134 |
| Packing unit | 1 pc |
| Minimum order quantity | 1 pc |
| Sales key | C403 |
| Product key | CK12ZZ |
| Catalog page | Page 118 (C-7-2015) |
| GTIN | 4017918974770 |
| Weight per piece (including packing) | 86.8 g |
| Weight per piece (excluding packing) | 69.5 g |
| Customs tariff number | 85437090 |
| Country of origin | DE |

MINI MCR-SL-PTB - Power terminal block



2864134

<https://www.phoenixcontact.com/us/products/2864134>

Technical data

Notes

Utilization restriction

| | |
|----------|---|
| EMC note | EMC: class A product, see manufacturer's declaration in the download area |
|----------|---|

Product properties

| | |
|----------------|--------------|
| Product type | Power module |
| Product family | MINI Analog |

Input data

| | |
|-----------------------------|---------------------|
| Input voltage range DC | 20 V DC ... 30 V DC |
| Max. input current | 2 A |
| Reverse polarity protection | yes |

Output data

| | |
|----------------------|-----------------------|
| Output voltage range | Input voltage - 0.8 V |
|----------------------|-----------------------|

Connection data

Input

| | |
|---------------------------------------|---------------------|
| Connection method | Screw connection |
| Conductor cross section, rigid min. | 0.2 mm ² |
| Conductor cross section, rigid max. | 2.5 mm ² |
| Conductor cross section flexible min. | 0.2 mm ² |
| Conductor cross section flexible max. | 2.5 mm ² |
| Conductor cross section AWG min. | 26 |
| Conductor cross section AWG max. | 12 |
| Stripping length | 12 mm |
| Screw thread | M3 |

Signaling

| | |
|------------------|--------------------|
| Status display | Green LED (supply) |
| Error indication | Red LED |

Dimensions

| | |
|---------------------|--|
| Dimensional drawing | |
|---------------------|--|

MINI MCR-SL-PTB - Power terminal block



2864134

<https://www.phoenixcontact.com/us/products/2864134>

| | |
|--------|----------|
| Width | 6.2 mm |
| Height | 93.1 mm |
| Depth | 102.5 mm |

Material specifications

| | |
|--|-------------|
| Fire protection for rail vehicles (DIN EN 45545-2) R22 | HL 1 - HL 2 |
| Fire protection for rail vehicles (DIN EN 45545-2) R23 | HL 1 - HL 2 |
| Fire protection for rail vehicles (DIN EN 45545-2) R24 | HL 1 - HL 2 |
| Housing material | PBT |

Environmental and real-life conditions

Ambient conditions

| | |
|---|-------------------------------|
| Degree of protection | IP20 |
| Ambient temperature (operation) | -20 °C ... 65 °C |
| Ambient temperature (storage/transport) | -40 °C ... 85 °C |
| Maximum altitude | ≤ 2000 m |
| Permissible humidity (operation) | 5 % ... 95 % (non-condensing) |

Approvals

CE

| | |
|-------------|--------------|
| Certificate | CE-compliant |
|-------------|--------------|

UKCA

| | |
|-------------|----------------|
| Certificate | UKCA-compliant |
|-------------|----------------|

UL, USA/Canada

| | |
|----------------|---------------|
| Identification | UL 508 Listed |
|----------------|---------------|

Shipbuilding approval

| | |
|-------------|-------------------|
| Certificate | DNV GL TAA000020N |
|-------------|-------------------|

DNV GL data

| | |
|-------------|---|
| Temperature | B |
| Humidity | B |
| Vibration | B |
| EMC | A |
| Enclosure | Required protection according to the Rules shall be provided upon installation on board |

EMC data

| | |
|-------------------------------|--|
| Noise immunity | EN 61000-6-2 |
| Note | When being exposed to interference, there may be minimal deviations. |
| Electromagnetic compatibility | Conformance with EMC directive |
| Noise emission | EN 61000-6-4 |

MINI MCR-SL-PTB - Power terminal block



2864134

<https://www.phoenixcontact.com/us/products/2864134>

Electrostatic discharge

| | |
|-----------------------|--------------|
| Standards/regulations | EN 61000-4-2 |
|-----------------------|--------------|

Electrostatic discharge

| | |
|----------|---|
| Comments | Safety measures must be taken to prevent electrostatic discharge. |
|----------|---|

Electromagnetic HF field

| | |
|-----------------------|--------------------------|
| Designation | Electromagnetic RF field |
| Standards/regulations | EN 61000-4-3 |
| Evaluation criterion | A |

Fast transients (burst)

| | |
|-----------------------|-------------------------|
| Designation | Fast transients (burst) |
| Standards/regulations | EN 61000-4-4 |
| Evaluation criterion | B |

Surge current load (surge)

| | |
|-----------------------|--------------|
| Standards/regulations | EN 61000-4-5 |
|-----------------------|--------------|

Surge current load (surge)

| | |
|----------|-------------|
| Comments | Criterion B |
|----------|-------------|

Conducted interference

| | |
|-----------------------|-------------------------|
| Designation | Conducted interferences |
| Standards/regulations | EN 61000-4-6 |
| Evaluation criterion | A |

Mounting

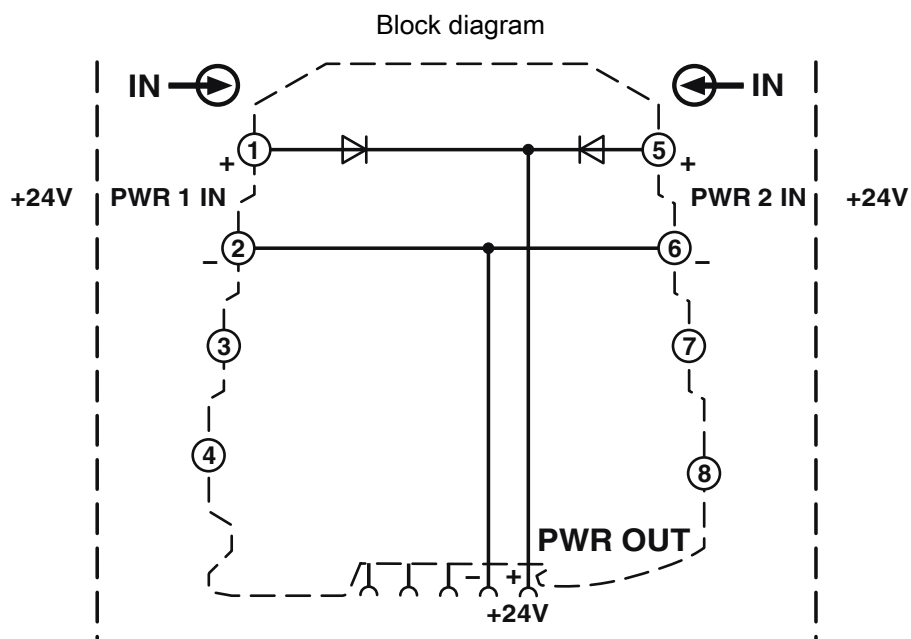
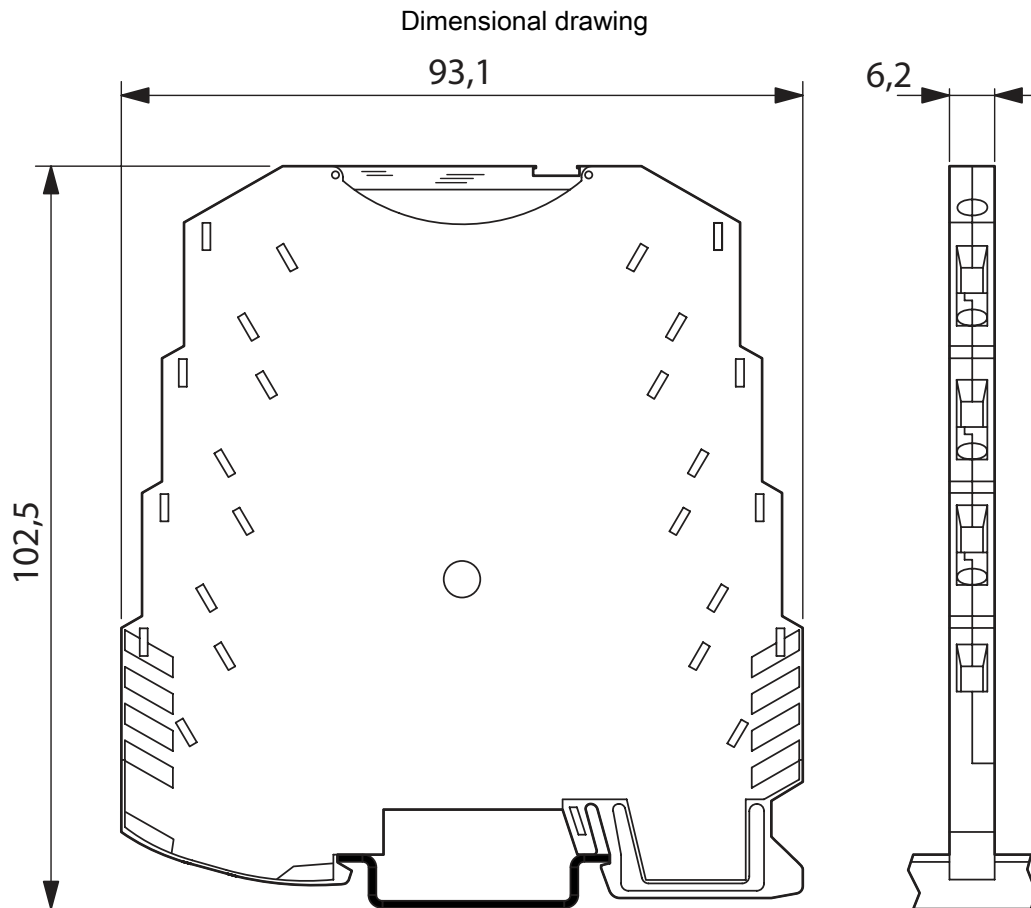
| | |
|-----------------------|---|
| Mounting type | DIN rail mounting |
| Assembly instructions | The DIN rail connector can be used for bridging the supply voltage. It can be snapped onto a 35 mm EN 60715 DIN rail. |
| Mounting position | any |

MINI MCR-SL-PTB - Power terminal block

2864134

<https://www.phoenixcontact.com/us/products/2864134>

Drawings



MINI MCR-SL-PTB - Power terminal block



2864134

<https://www.phoenixcontact.com/us/products/2864134>

Approvals

To download certificates, visit the product detail page: <https://www.phoenixcontact.com/us/products/2864134>



cUL Recognized
Approval ID: FILE E 238705



UL Recognized
Approval ID: FILE E 238705



DNV GL
Approval ID: TAA00002R0



cUL Listed
Approval ID: FILE E 199827



UL Listed
Approval ID: FILE E 199827

cULus Recognized

cULus Listed

MINI MCR-SL-PTB - Power terminal block



2864134

<https://www.phoenixcontact.com/us/products/2864134>

Classifications

ECLASS

| | |
|-------------|----------|
| ECLASS-11.0 | 27371392 |
| ECLASS-12.0 | 27371392 |
| ECLASS-13.0 | 27371392 |

ETIM

| | |
|----------|----------|
| ETIM 8.0 | EC002498 |
|----------|----------|

UNSPSC

| | |
|-------------|----------|
| UNSPSC 21.0 | 39121100 |
|-------------|----------|

MINI MCR-SL-PTB - Power terminal block



2864134

<https://www.phoenixcontact.com/us/products/2864134>

Environmental product compliance

| | |
|------------|--|
| REACH SVHC | Lead 7439-92-1 |
| China RoHS | Environmentally Friendly Use Period = 50 years |
| | For information on hazardous substances, refer to the manufacturer's declaration available under "Downloads" |

MINI MCR-SL-PTB - Power terminal block



2864134

<https://www.phoenixcontact.com/us/products/2864134>

Accessories

ME 6,2 TBUS-2 1,5/5-ST-3,81 GN - DIN rail bus connectors

2869728

<https://www.phoenixcontact.com/us/products/2869728>



DIN rail connector for DIN rail mounting. Universal for TBUS housing. Gold-plated contacts, 5-pos.

TC-D37SUB-AIO16-M-PS-UNI - Module carrier

2902934

<https://www.phoenixcontact.com/us/products/2902934>



Universal termination carrier for connecting 16 MINI Analog signal conditioners to digital or analog I/O cards, via D-SUB connector, 37-pos. (1:1 connection), with HART multiplexer connection

MINI MCR-SL-PTB - Power terminal block

2864134

<https://www.phoenixcontact.com/us/products/2864134>



TC-D37SUB-ADIO16-M-P-UNI - Module carrier

2902933

<https://www.phoenixcontact.com/us/products/2902933>



Universal termination carrier for connecting 16 MINI Analog signal conditioners to digital or analog I/O cards, via D-SUB connector, 37-pos. (1:1 connection)

MINI MCR DKL - Transparent cover

2308111

<https://www.phoenixcontact.com/us/products/2308111>



Fold up transparent cover for MINI MCR modules with additional labeling option using insert strips and flat Zack marker strip 6.2 mm

MINI MCR-SL-PTB - Power terminal block

2864134

<https://www.phoenixcontact.com/us/products/2864134>



MINI MCR-DKL-LABEL - Marking label

2810272

<https://www.phoenixcontact.com/us/products/2810272>

Label for extended marking of MINI MCR modules in connection with the MINI MCR-DKL



Phoenix Contact 2023 © - all rights reserved

<https://www.phoenixcontact.com>

Phoenix Contact USA
586 Fulling Mill Road
Middletown, PA 17057, United States
(+717) 944-1300
info@phoenixcon.com