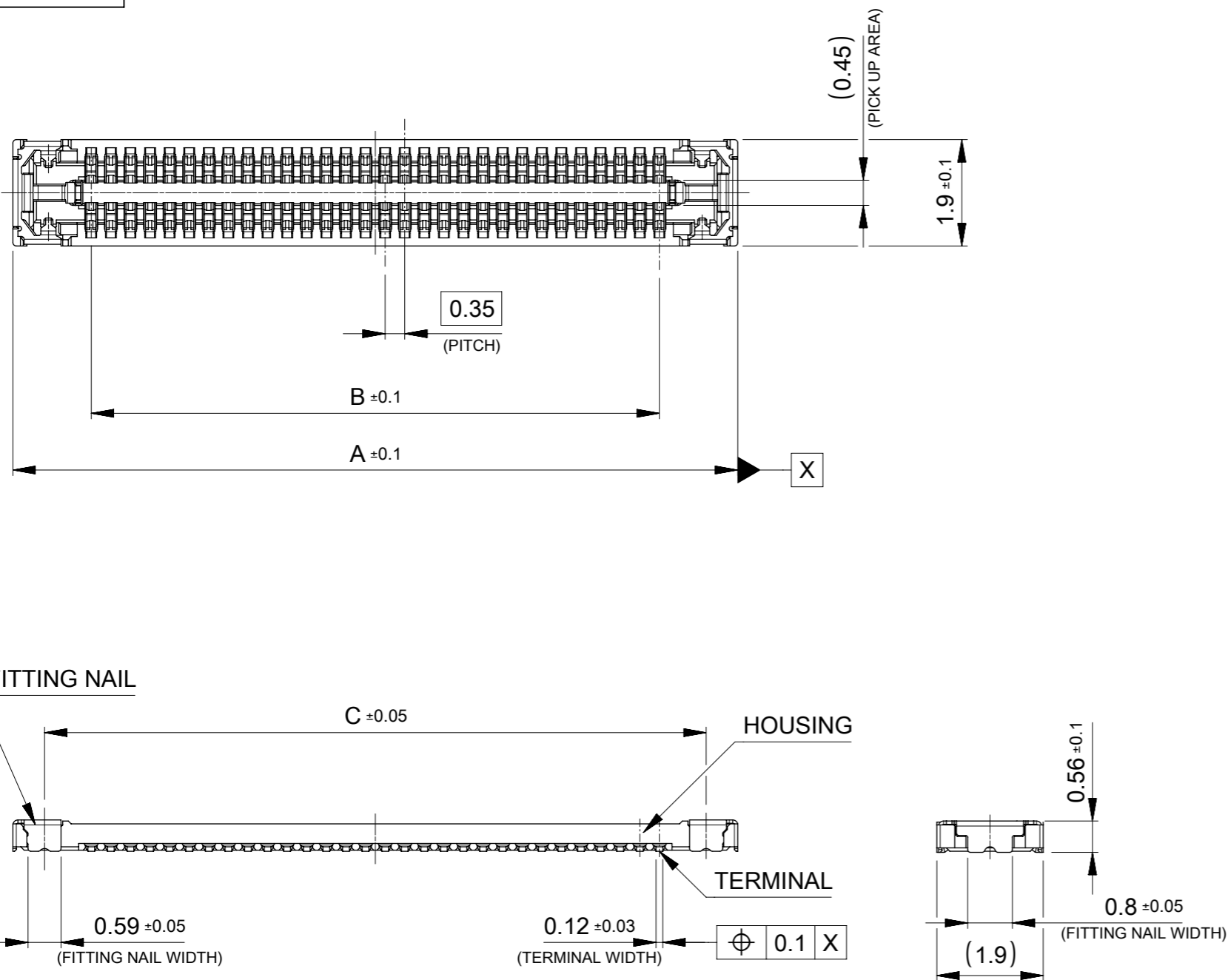


GENERAL DRAWING



NOTES

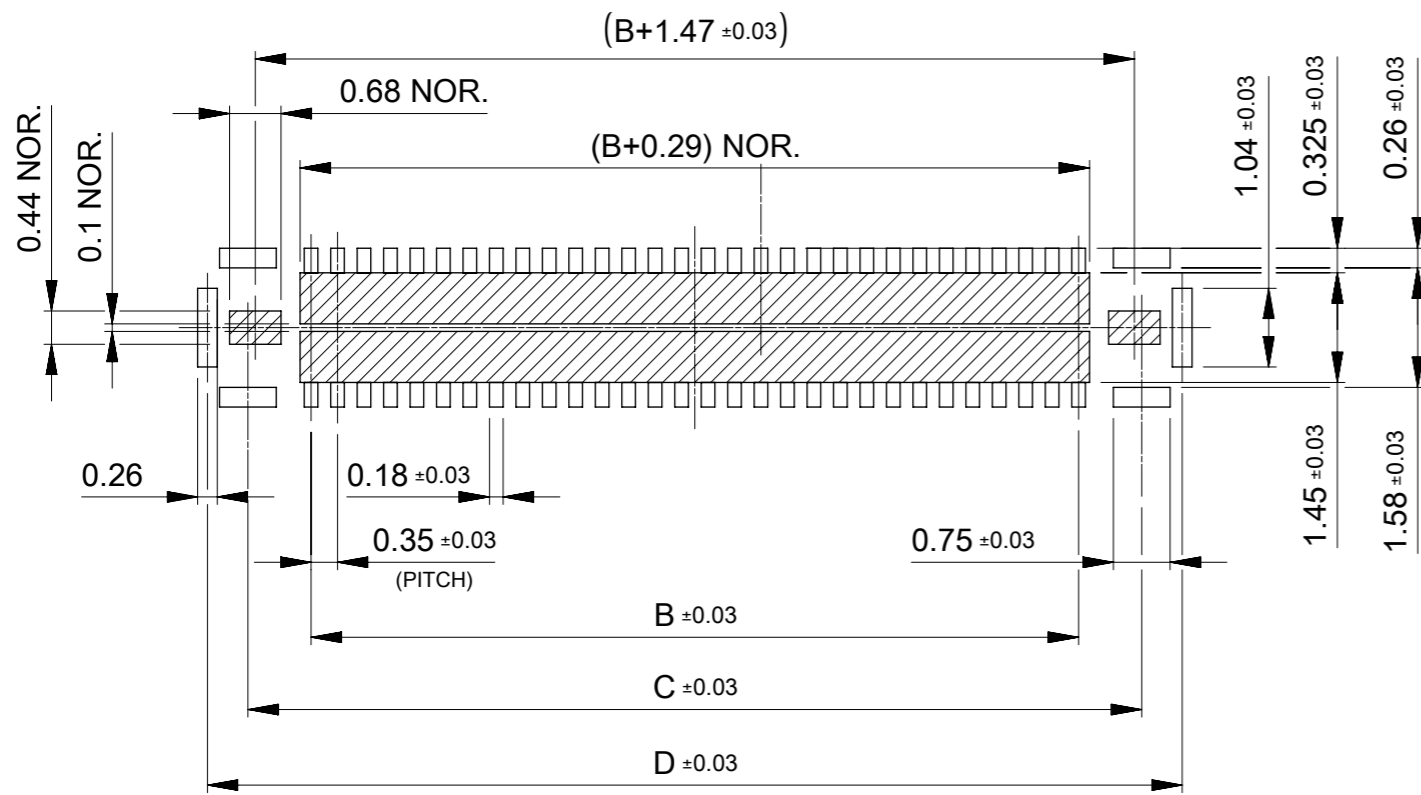
- MATERIAL**
 HOUSING : LIQUID CRYSTAL POLIMER UL94V-0 (COLOR : BLACK)
 TERMINAL : COPPER ALLOY
 FITTING NAIL : COPPER ALLOY
- PLATING**
TERMINAL :
 CONTACT AREA : GOLD PLATING(0.1µm MINIMUM)
 SOLDER TAIL AREA : GOLD PLATING(0.05µm MINIMUM)
 UNDER PLATING : NICKEL OVERALL(1.0µm MINIMUM)
 * DIVIED INTO PARTS THE GOLD PLATING OF THE CONTACT AND THE TAIL PART BY THE NICKEL PLATING.

FITTING NAIL :
 CONTACT AREA : GOLD PLATING(0.1µm MINIMUM)
 SOLDER TAIL AREA : GOLD PLATING(0.05µm MINIMUM)
 UNDER PLATING : NICKEL OVERALL(1.0µm MINIMUM)
 * DIVIED INTO PARTS THE GOLD PLATING OF THE CONTACT AND THE TAIL PART BY THE NICKEL PLATING.
- MATE WITH : 216701******
- COPLANARITY :** SHALL BE 0.08MAX. ON BOTH OF TERMINAL AND NAIL.
 AND 0.1 MAX AFTER REFLOW
- PROHIBITED AREA OF PATTERN WIRING AND SOLDER.**
 (FOR EACH AREA, THE WIRING THAT TOUCHES ON THE SOLDER CAN BE ATTACHED, THEN COVERED WITH A FILM TO KEEP SOLDER OUT)


12.89	11.82	10.15	12.95	2167000609	---	O	60
11.84	10.77	9.10	11.90	2167000549	O	---	54
11.14	10.07	8.40	11.20	2167000509	O	---	50
9.39	8.32	6.65	9.45	2167000409	O	---	40
7.64	6.57	4.90	7.70	2167000309	---	O	30
6.59	5.52	3.85	6.65	2167000249	---	O	24
5.89	4.82	3.15	5.95	2167000209	O	---	20
4.14	3.07	1.40	4.20	2167000109	---	O	10

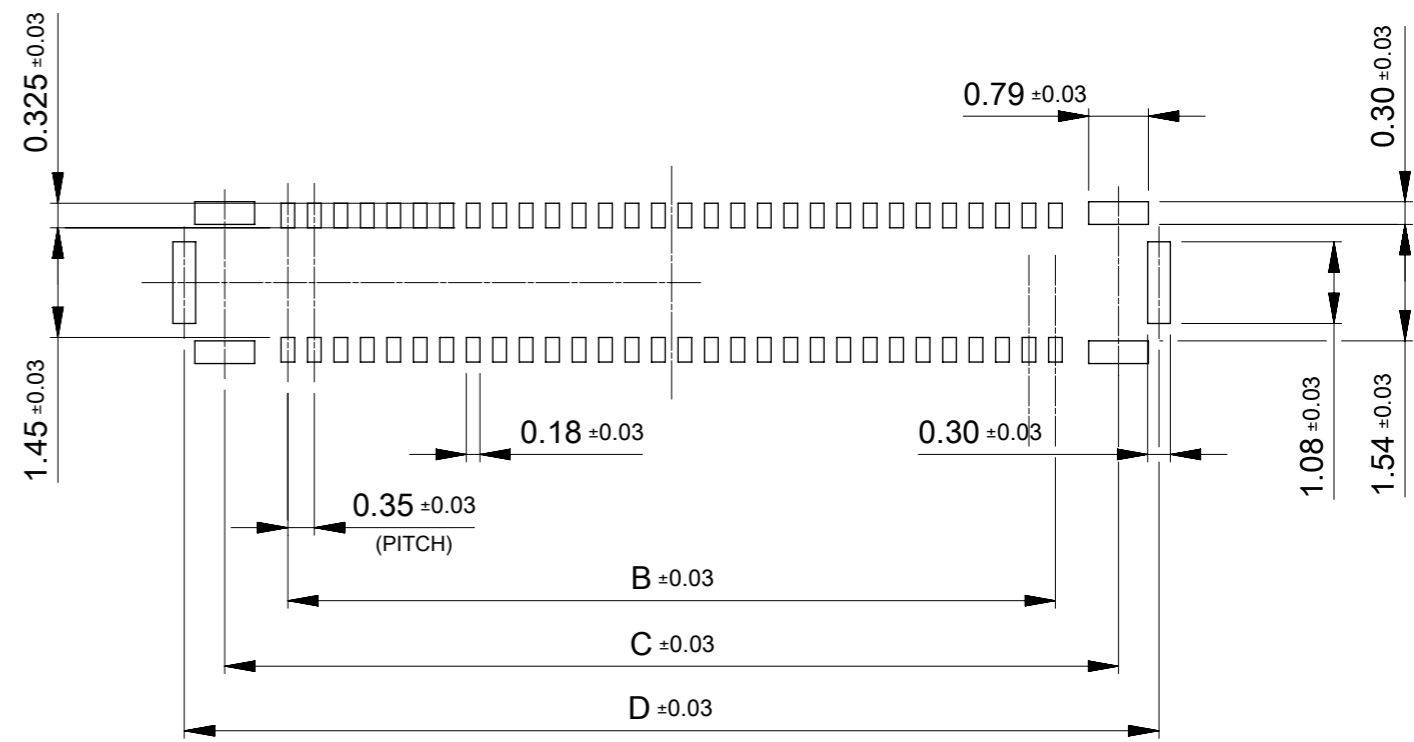
D	C	B	A	EMBOSSSED TAPE PACKAGE	HIGH VOL. TOOL	LOW VOL. TOOL	Ckts
				SAMPLE PREPARATION			
ORDER No.				O : TOOLED □ : WORK PROCESS --- : TOOLING TO BE CONFIRMED			
CONNECTOR SERIES No. : 216700****							

FUNCTIONAL SYMBOLS	THIS DRAWING CONTAINS INFORMATION THAT IS PROPRIETARY TO MOLEX ELECTRONIC TECHNOLOGIES, LLC AND SHOULD NOT BE USED WITHOUT WRITTEN PERMISSION		CURRENT REV DESC:		molex	
	mm	10:1				
DIVISIONAL SYMBOLS	GENERAL TOLERANCES (UNLESS SPECIFIED)		EC NO: 746141		PRODUCT CUSTOMER DRAWING	
	4 PLACES	± 0.05	DRWN: DWLEE02 2023/04/14			
DIVISIONAL SYMBOLS	3 PLACES	± 0.05	CHK'D: JHCHANG 2023/04/14		DOCUMENT NUMBER: 2167000000-SD	
	2 PLACES	± 0.05	APPR: JBJIN 2023/04/17			DOC TYPE: PSD
	1 PLACE	± 0.1	INITIAL REVISION:			
0 PLACES	± 0.2	DRWN: JHCHANG 2023/04/13		REVISION: A		
DRAFT WHERE APPLICABLE MUST REMAIN WITHIN DIMENSIONS		THIRD ANGLE PROJECTION	DRAWING: A3-SIZE		SERIES: 216700	MATERIAL NUMBER: SEE SHEET 1
				CUSTOMER: GENERAL	SHEET NUMBER: 1 OF 2	



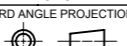
RECOMMENDED P.C.BOARD PATTERN LAYOUT
(FOR REFERENCE)

 SOLDER PROHIBITED AREA.
WHEN WIRING IS LOCATED,
THE WIRING MUST BE MASKED BY COVER LAY OR RESIST FILM.

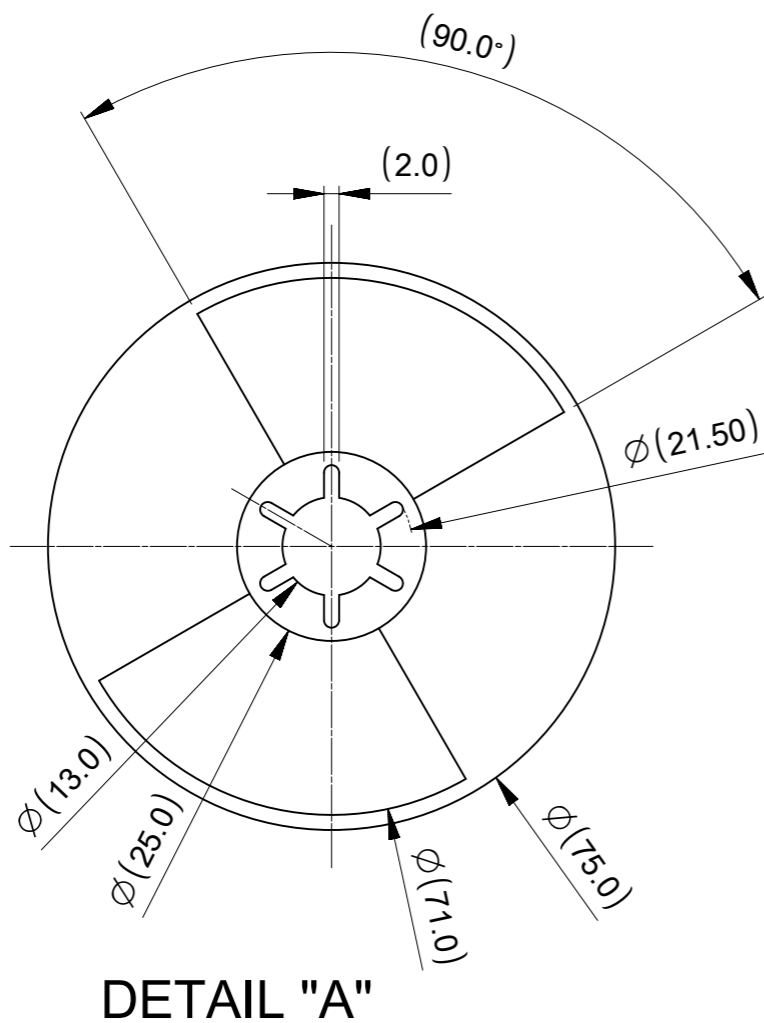
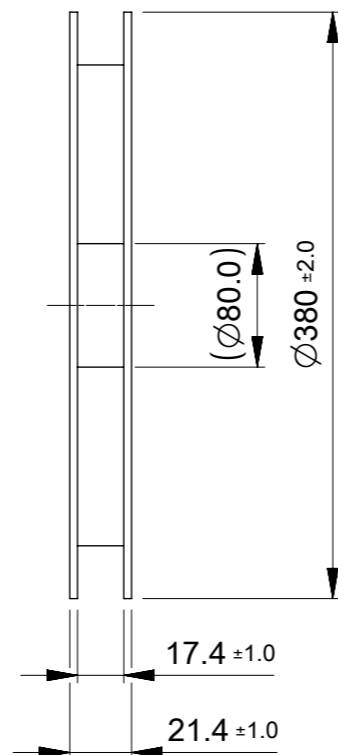
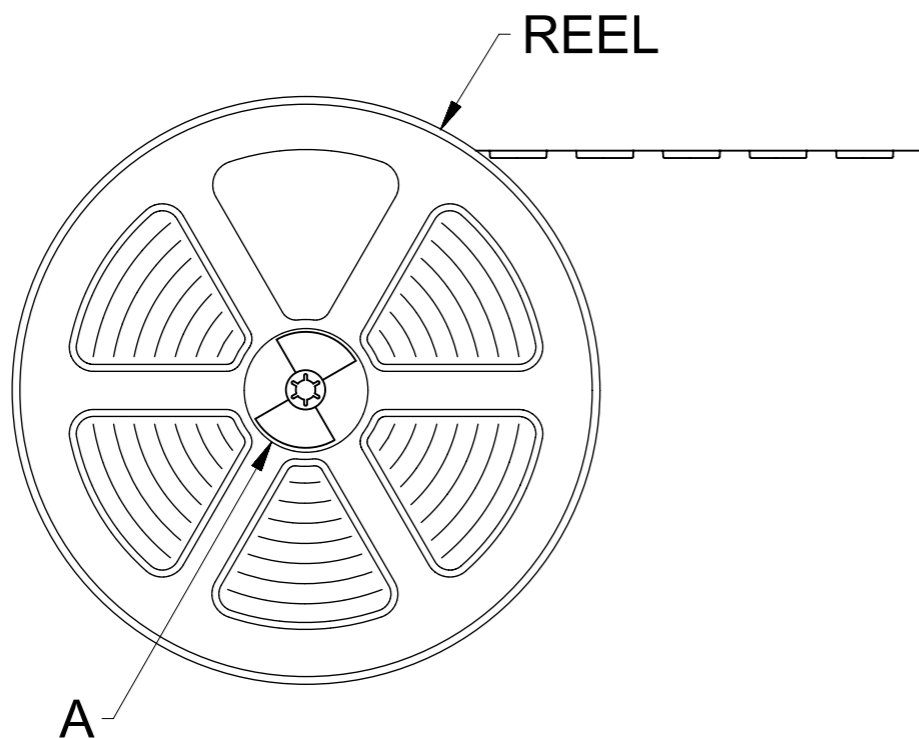


RECOMMENDED METAL MASK LAYOUT
(FOR REFERENCE)

RECOMMENDED THICKNESS : 0.08mm
RECOMMENDED APERTURE DIMENSION IS JUST SAME AS SHOWN FIGURE ABOVE.
FOR THIS DIMENSION, APERTURE RATIO ARE SIGNAL TERMINAL 100% AND
FITTING NAIL ALL 120%.

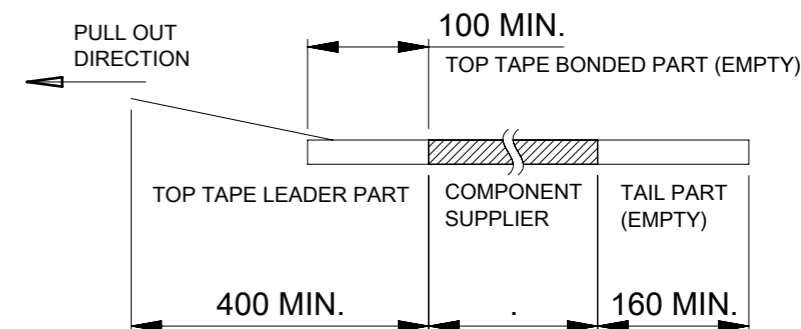
FUNCTIONAL SYMBOLS	THIS DRAWING CONTAINS INFORMATION THAT IS PROPRIETARY TO MOLEX ELECTRONIC TECHNOLOGIES, LLC AND SHOULD NOT BE USED WITHOUT WRITTEN PERMISSION		CURRENT REV DESC:			molex		
	△/A = 0	mm						
DIVISIONAL SYMBOLS	GENERAL TOLERANCES (UNLESS SPECIFIED)		EC NO: 746141			PRODUCT CUSTOMER DRAWING		
	ANGULAR TOL ± 1.0 °		DRWN: DWLEE02 2023/04/14					
	4 PLACES ± 0.05	CHK'D: JHCHANG 2023/04/14			DOCUMENT NUMBER			
	3 PLACES ± 0.05	APPR: JBJIN 2023/04/17			2167000000-SD			
	2 PLACES ± 0.05	INITIAL REVISION:			DOC TYPE DOC PART REVISION			
1 PLACE ± 0.1	DRWN: JHCHANG 2023/04/13			PSD 002 A				
0 PLACES ± 0.2	APPR: JBJIN 2023/04/17			SHEET NUMBER				
DRAFT WHERE APPLICABLE MUST REMAIN WITHIN DIMENSIONS		THIRD ANGLE PROJECTION	DRAWING	SERIES	MATERIAL NUMBER	CUSTOMER	SEE SHEET 1 GENERAL 2 OF 2	
			A3-SIZE	216700	SEE SHEET 1	GENERAL		

⇒ PULL OUT DIRECTION



NOTES

1. RE DETAILED DIMENSION, SEE PRODUCT DRAWING.
2. NUMBER OF CONNECTORS : 20,000PCS/REEL
3. LEAD TAPE LENGTH :



4. PEEL OFF FORCE OF THE TOP TAPE IS DEFINDED BY IEC 60286-3.
5. MATERIAL
 - CARRIER TAPE : POLYSTYRENE OR PET
 - TOP TAPE : PET, OTHER
 - REEL : POLYSTYRENE(PS) [RECYCLE MATERIAL CONTAINED]

FUNCTIONAL SYMBOLS	THIS DRAWING CONTAINS INFORMATION THAT IS PROPRIETARY TO MOLEX ELECTRONIC TECHNOLOGIES, LLC AND SHOULD NOT BE USED WITHOUT WRITTEN PERMISSION		CURRENT REV DESC:		molex		
	▽A = 0	mm	SCALE 1:1				
▽E = 0	GENERAL TOLERANCES (UNLESS SPECIFIED)				0.35 BB H=0.6 ACB6 PLUS REC ASSY PKG		
▽F = 0	ANGULAR TOL ± 1.0°						
DIVISIONAL SYMBOLS	4 PLACES	± 0.05	EC NO: 746141	2023/04/14	PRODUCT CUSTOMER DRAWING		
	3 PLACES	± 0.05	DRWN: DWLEE02	2023/04/14			
	2 PLACES	± 0.05	CHK'D: JHCHANG	2023/04/17			
	1 PLACE	± 0.1	APPR: JBJIN	2023/04/17			
	0 PLACES	± 0.2	INITIAL REVISION:				
DRAFT WHERE APPLICABLE MUST REMAIN WITHIN DIMENSIONS		THIRD ANGLE PROJECTION	DRAWING	SERIES	MATERIAL NUMBER	CUSTOMER	SHEET NUMBER
			A3-SIZE	216700	SEE SHEET2	GENERAL	1 OF 2

PULL OUT DIRECTION →

EMBOSS CARRIER TAPE

TOP TAPE

H ±0.10

0.30 ±0.05

(0.73)

(1.13)

SECTION A-A

0.73 ±0.05

2.10 ±0.05

SECTION C-C

∅ 1.55 ±0.05

4.00 ±0.10


2.00 ±0.10

1.75 ±0.10

G ±0.10

J ±0.10

13.08	11.50	24.00	2167000609	---	O	60
12.03			2167000549	O	---	54
11.33			2167000509	O	---	50
9.58	9.25	16.00	2167000409	O	---	40
7.83			2167000309	---	O	30
6.78			2167000249	---	O	24
6.08			2167000209	O	---	20
4.33			2167000109	---	O	10
H	J	G	EMBOSSED TAPE PACKAGE	HIGH VOL. TOOL	LOW VOL. TOOL	Ckts
ORDER No.			SAMPLE PREPARATION			
			O : TOOLED □ : WORK PROCESS --- : TOOLING TO BE CONFIRMED			
CONNECTOR SERIES No. : 216700****						

FUNCTIONAL SYMBOLS	THIS DRAWING CONTAINS INFORMATION THAT IS PROPRIETARY TO MOLEX ELECTRONIC TECHNOLOGIES, LLC AND SHOULD NOT BE USED WITHOUT WRITTEN PERMISSION		CURRENT REV DESC:		
	$\nabla_A = 0$ $\nabla_E = 0$ $\nabla_V = 0$	DIMENSION UNITS mm	SCALE 5:1	EC NO: 746141 DRWN: DWLEE02 CHK'D: JHCHANG APPR: JBJIN	
DIVISIONAL SYMBOLS	GENERAL TOLERANCES (UNLESS SPECIFIED)		INITIAL REVISION:		DOCUMENT NUMBER 2167000001-SD
	ANGULAR TOL ± 1.0°		4 PLACES ± 0.05 3 PLACES ± 0.05 2 PLACES ± 0.05 1 PLACE ± 0.1 0 PLACES ± 0.2		DOC TYPE PSD
	DRAFT WHERE APPLICABLE MUST REMAIN WITHIN DIMENSIONS		DRWN: JHCHANG APPR: JBJIN		DOC PART 001
	THIRD ANGLE PROJECTION		DRAWING A3-SIZE		REVISION A
		SERIES 216700		SHEET NUMBER 2 OF 2	
		MATERIAL NUMBER SEE SHEET2		CUSTOMER GENERAL	