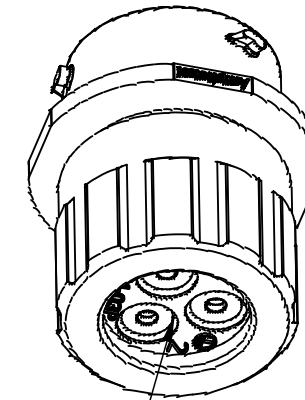
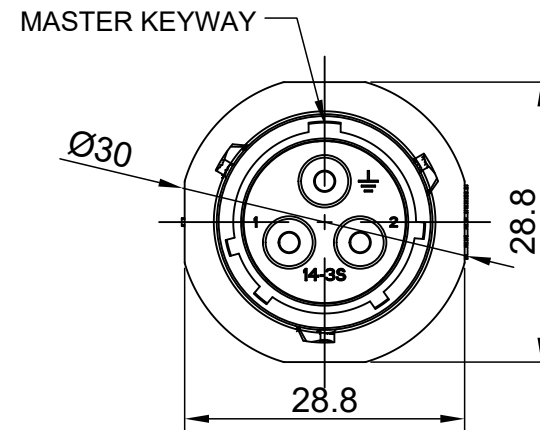
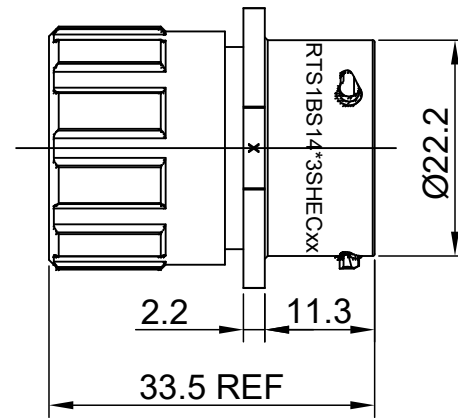


| REVISIONS | | | | | |
|-----------|-----|------------------|-------------|-------|-------|
| REV | ECO | DESCRIPTION | DATE | BY | APPR |
| A1 | -- | RELEASED DRAWING | Oct-25-2018 | Blink | Tommy |



SEALING PLUGS CAN BE PURCHASED SEPARATELY

NOTES: (UNLESS OTHERWISE SPECIFIED)

1. MATERIAL:

- SHELL: THERMOPLASTIC, UL94 V-0.
- INSERT: THERMOPLASTIC, UL94 V-0.
- O-RING: NBR OR SILICONE RUBBER.
- SEAL GASKET: NBR OR SILICONE RUBBER.
- END CAP: THERMOPLASTIC, UL94 V-0.
- PLASTIC RING:THERMOPLASTIC, UL94 V-0.
- WIRE SEAL: SILICONE RUBBER.

2. SPECIFICATIONS:

- 2.1 RATED CURRENT: 45A (MAX).
- 2.2 RATED VOLTAGE: 600V(AC/DC).
- 2.3 OPERATING TEMPERATURE: SEE TABLE.
- 2.4 DIELECTRIC WITHSTANDING VOLTAGE: LESS THAN 2 MILLIAMPS CURRENT LEAKAGE@2500 VOLTS AC.
- 2.5 INSULATION RESISTANCE: 5000 MEGOHMS MIN.
- 2.6 IP CLASS: IP67 AND IP69K IN THE MATED CONDITION, WIRE SEALS FULLY POPULATED.
- 2.7 MATING CYCLES DURABILITY: 500 CYCLES MIN.
- 2.8 RoHS COMPLIANT.

3. SUITABLE CONTACTS : 8# CONTACT.

| CONTACT SIZE | CONTACT PN | WIRE RANGE |
|--------------|------------|------------|
| 8# | MS10A23x | 12-10AWG |

IN THE CONTACT PN,"x" DENOTE DIFFERENT PLATING.

4. ALL DIMENSIONS ARE FOR REFERENCE USE ONLY.

| KEY | PART NUMBER | |
|-----|----------------|------------------|
| | -40°C ~ 105°C | -40°C ~ 125°C |
| N | RTS1BS14N3SHEC | RTS1BS14N3SHEC03 |

| QUANTITY | PART NUMBER | DESCRIPTION | ITEM |
|---|-------------|---|----------------------------------|
| MATERIALS LIST | | | |
| <small>UNLESS OTHERWISE SPECIFIED</small> 1) All dimensions are in metric(mm). 2) Tolerances are as follows: 1 PL DEC ±0.30 2 PL DEC ±0.15 3 PL DEC ±0.08 Fractions ±1/64 Angles ±1° 3) Note reference = | | Amphenol Sine Systems - www.amphenol-sine.com 44724 Morley Drive Clinton Township, MI 48036 | |
| <small>SIGNATURES</small> DRAWN: Blink CHECKED: Tod ENGINEER: APPROVAL: Tommy | | <small>DATE</small> Oct-25-2018 Oct-25-2018 Oct-18-2018 | |
| <small>MATERIAL SPECIFICATIONS:</small> THIS DRAWING IS SUPPLIED FOR INFORMATION ONLY. DESIGN FEATURES, SPECIFICATIONS AND PERFORMANCE DATA SHOWN HEREON ARE THE PROPERTY OF THE AMPHENOL CORPORATION. NO RIGHTS OF REPRODUCTION ARE IMPLIED. ALL DIMENSIONS ARE SUBJECT TO NORMAL MANUFACTURING VARIATIONS. | | <small>CUSTOMER:</small> ECO-MATE, RECEPTACLE, END CAP FLANGE, SIZE 14, 3 POS, SOCKET | |
| <small>PROCESS SPECIFICATIONS:</small> NEXT ASSY: | | <small>SIZE</small> B | <small>TYPE</small> C- |
| <small>DWG NO:</small> RTS1BS14*3SHECxx | | <small>REVISION</small> A1 | |
| <small>SCALE:</small> NONE | | <small>SHEET</small> 1 <small>OF</small> 1 | |

TITLE: ECO-MATE, RECEPTACLE, END CAP, FLANGE, SIZE 14, 3 POS, SOCKET

DWG NO: RTS1BS14*3SHECxx

REV: A1

SH: 1

OF: 1

ecomate® RM/RSSM/Aquarius™ - Contact Size 3.6mm (1403 Insert Arrangement) Options

| Crimp Contacts, 1403 Insert Arrangement, Machined | | | | | |
|---|---------------|-------|-------------------------------|------------------|------------|
| Part Number | | AWG | Wire Range (mm ²) | For Use w Endcap | Plating |
| Male | Female | | | | |
| MP10A23T-10 | MS10A23T-10 | 8 | 10.0 | No | Tin |
| MP10A23S-10 | MS10A23S-10 | 8 | 10.0 | No | Silver |
| MP10A23F-10 | MS10A23F-10 | 8 | 10.0 | No | Gold Flash |
| MP10A23G5-10 | MS10A23G5-10 | 8 | 10.0 | No | Gold 5μ" |
| MP10A23G10-10 | MS10A23G10-10 | 8 | 10.0 | No | Gold 10μ" |
| MP10A23G15-10 | MS10A23G15-10 | 8 | 10.0 | No | Gold 15μ" |
| MP10A23G30-10 | MS10A23G30-10 | 8 | 10.0 | No | Gold 30μ" |
| MP10A23S-63 | MS10A23S-63 | 12-10 | 4.0 - 6.0 | No | Silver |
| MP10A23F-63 | MS10A23F-63 | 12-10 | 4.0 - 6.0 | No | Gold Flash |
| MP10A23TL | MS10A23T | 12-10 | 3.0 - 6.0 | Yes | Tin |
| MP10A23SL | MS10A23S | 12-10 | 3.0 - 6.0 | Yes | Silver |
| MP10A23FL | MS10A23F | 12-10 | 3.0 - 6.0 | Yes | Gold Flash |
| MP10A23G5L | MS10A23G5 | 12-10 | 3.0 - 6.0 | Yes | Gold 5μ" |
| MP10A23G10L | MS10A23G10 | 12-10 | 3.0 - 6.0 | Yes | Gold 10μ" |
| MP10A23G15L | MS10A23G15 | 12-10 | 3.0 - 6.0 | Yes | Gold 15μ" |
| MP10A23G30L | MS10A23G30 | 12-10 | 3.0 - 6.0 | Yes | Gold 30μ" |
| MP10A23S-25 | MS10A23S-25 | 16-14 | 1.5 - 2.5 | No | Silver |
| MP10A23F-25 | MS10A23F-25 | 16-14 | 1.5 - 2.5 | No | Gold Flash |

| Tooling, Machined | |
|-------------------|--|
| Part Number | Description |
| QXRT08 | Contact Extraction Tool, # 8 (Ø 3.6mm) Contact |
| M300BT | Hand Crimper |
| WA27-300BT-EP | Pneumatic Crimper |
| TP968 | Locator M3200BT and WA27-300BT-EP |

| Plating Options | |
|-----------------|------------------------------|
| Symbol | Plating |
| T | Tin Plating Over Nickel |
| S | Silver Plating Over Nickel |
| F | Gold Plated |
| G5 | Gold Plated (Thickness 5μ") |
| G10 | Gold Plated (Thickness 10μ") |
| G15 | Gold Plated (Thickness 15μ") |
| G30 | Gold Plated (Thickness 30μ") |