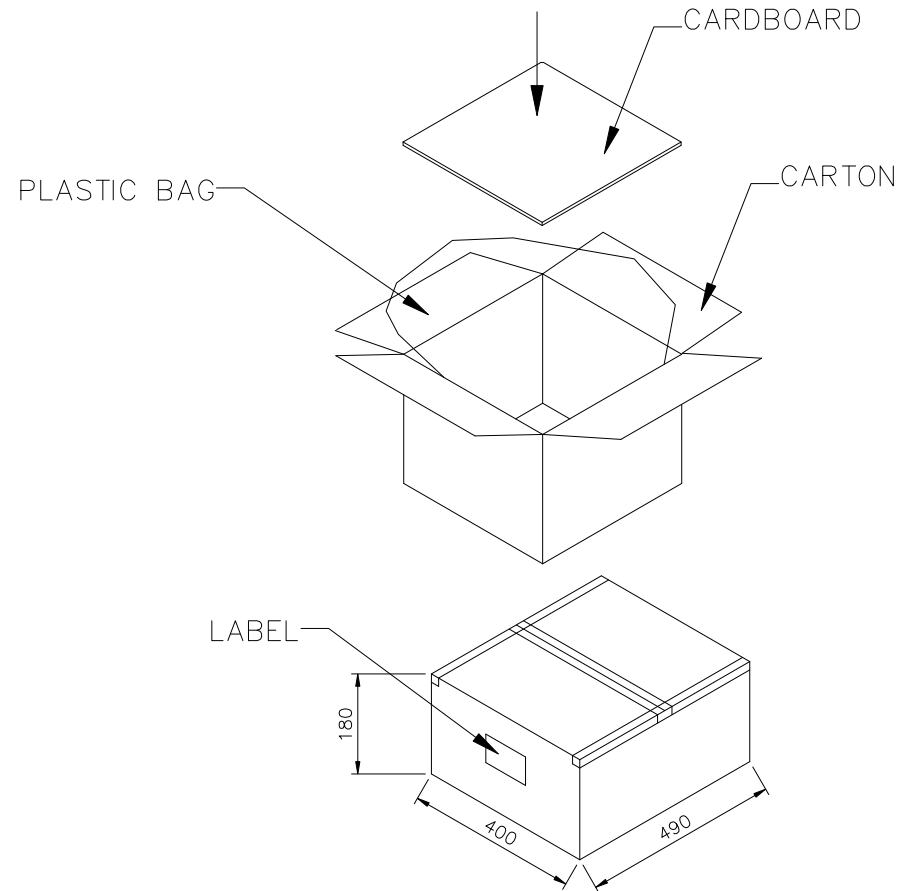
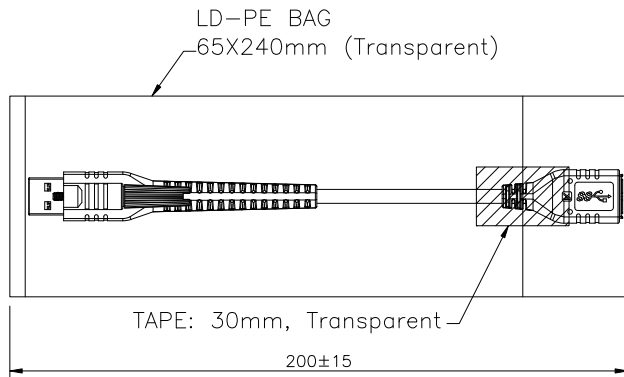
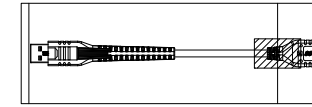


PRODUCT NUMBER
10132951-000XXLF



NOTE:

1. PUT 4 DESICCANTS INTO THE PLASTIC BAG.
2. PACKAGE Q'TY:

PE BAG	CARTON	Net Wt.	Gross Wt.
1 CABLE	500 CABLES	14.0 Kg	15.2 Kg

mat'l. code		surface	tolerance	projection	product family						
ltr		tolerances unless otherwise specified			USB 3.0						
ecn no	dr	date	angles		title						
			<table border="1"> <tr> <td>16<L≤63</td> <td>±0.4</td> </tr> <tr> <td>4<L≤16</td> <td>±0.3</td> </tr> <tr> <td>L≤4</td> <td>±0.2</td> </tr> </table>	16<L≤63	±0.4	4<L≤16	±0.3	L≤4	±0.2	MM	CABLE ASS'Y, USB 3.0 A PLUG TO USB 3.0 A RECEPTACLE
16<L≤63	±0.4										
4<L≤16	±0.3										
L≤4	±0.2										
			X°±5°	scale							
dr	KENNY TAI	2014-11-27			dwg no						
enr	KENNY TAI	2014-11-27			sheet 2 of 2						
chr	KENNY TAI	2014-11-27			size						
appd	PM ZHENG	2014-12-30			10132951						
					A4						
					type						
					CUSTOMER Drawing						
sheet index	revision sheet	A	A								
		1	2								