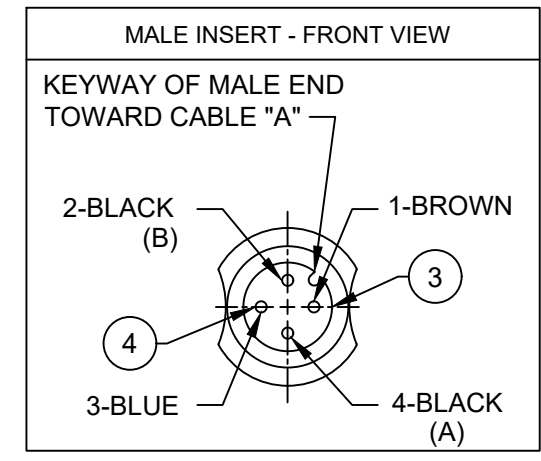


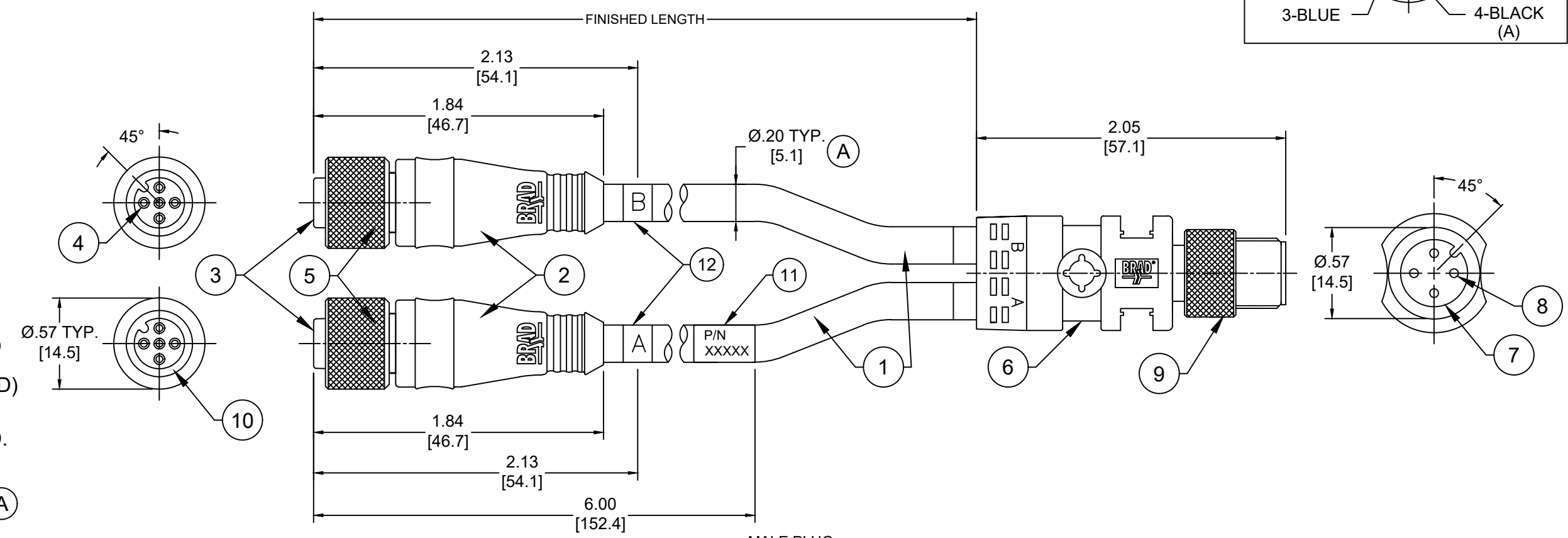
PART NO	ENGINEERING NO.	FINISHED LENGTH
1200680175	884A30A09M003	0.3M [1 FT]
1200680176	884A30A09M006	0.6M [2 FT]
1200680177	884A30A09M010	1M [3 FT 3 IN]

(A) PART NO. MATRIX
884A30A09M003

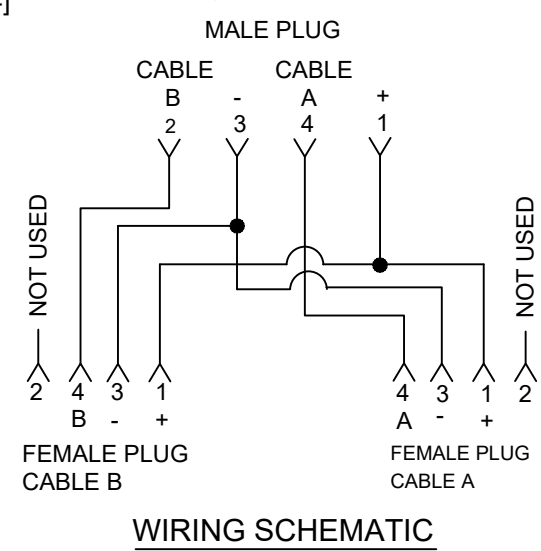
FINISHED LENGTH:
M005= 0.5 METER
M010= 1 METER
M100= 10 METER



- NOTES:
- MATERIAL: AS NOTED
 - FINISH: AS NOTED
 - ELECTRICAL:
VOLTAGE: 250V (A)
CURRENT: 4A
 - TEMP RATING: -20°TO +105°C (A)
 - PROTECTION: IP67 (WHEN MATED)
 - COUPLING THREAD:
FEMALE: M12 X 1 INTERNAL THD.
MALE: M12 X 1 EXTERNAL THD.
 - UL RECOGNIZED FILE: E152210 (A)
CSA CERTIFIED FILE: LR6837
 - ALL DIMENSIONS ARE FOR REFERENCE UNLESS TOLERANCED OR NOTED OTHERWISE



ITEM	DESCRIPTION	MATERIAL	FINISH
12	ID LABEL	VINYL	BLACK/WHITE (A)
11	WRAP LABEL	VINYL	BLACK/YELLOW (A)
10	O-RING	VITON	RED
9	MALE COUPLING NUT	BRASS	NICKEL PLATED
8	CONTACT PIN	COPPER ALLOY	GOLD OVER NICKEL
7	MALE INSERT	PUR	BLACK
6	MALE OVERMOLD	PUR	YELLOW (A)
5	FEMALE COUPLING NUT	BRASS	NICKEL PLATED
4	CONTACT SOCKET	COPPER ALLOY	GOLD OVER NICKEL
3	FEMALE INSERT	PUR	BLACK
2	FEMALE OVERMOLD	PUR	YELLOW (A)
1	CABLE #22-3	PVC	YELLOW
ITEM	DESCRIPTION	MATERIAL	FINISH



(A) CABLE LENGTH TOLERANCES

<.3M [1FT]	+19mm-0 [+ .75in-0]
.3 - .9M [1 - 3FT]	+44.5mm-0 [+1.75in-0]
.9 - 1.8M [3 - 6FT]	+55.6mm-0 [+2.19in-0]
1.8 - 3.7M [6 - 12FT]	+88.9mm-0 [+3.50in-0]
3.7 - 7.3M [12 - 24FT]	+165.1mm-0 [+6.50in-0]
7.3-14.6M [24 - 48FT]	+317.5mm-0 [+12.50in-0]
14.6 - 30.5M [48-100FT]	+622.3mm-0 [+24.50in-0]
OVER 30M [100FT]	+2% OF FINISHED LENGTH

THIS DRAWING CONTAINS INFORMATION THAT IS PROPRIETARY TO MOLEX ELECTRONIC TECHNOLOGIES, LLC AND SHOULD NOT BE USED WITHOUT WRITTEN PERMISSION

FUNCTIONAL SYMBOLS	DIMENSION UNITS	SCALE	CURRENT REV DESC: ITEM 2 & 6 WAS TPU & 11 WAS MYLAR. ADDED ITEM-12, UL, CSA, CABLE DIA, TOL CHART & PN MATRIX. UPDATED TEMP RATING AND VOLTAGE WAS 30VDC
$F_A=0$	INCH/MM	NTS	EC NO: 669893 DRWN: ABENJAMINLW 2021/03/23 CHK'D: RSTONE 2021/07/12 APPR: BWOODMAN 2021/07/14
$F_P=0$	GENERAL TOLERANCES (UNLESS SPECIFIED)		
$F_D=0$	mm INCH		
DIVISIONAL SYMBOLS	4 PLACES ±----	±----	INITIAL REVISION:
	3 PLACES ±----	±----	DRWN: BBRAUCH 2010/02/08
	2 PLACES ±----	±----	APPR: NSTAUDIG 2010/02/15
	1 PLACE ±----	±----	DRAFT WHERE APPLICABLE MUST REMAIN WITHIN DIMENSIONS
	0 PLACES ±----	±----	THIRD ANGLE PROJECTION
	ANGULAR TOL ± --- °		DRAWING A3-SIZE
			SERIES 120068
			MATERIAL NUMBER SEE CHART
			CUSTOMER GENERAL MARKET
			SHEET NUMBER 1 OF 1

molex

MICRO-CHANGE CORDSET-SPLITTER
M12, 4-3 POLE, MALE-FEMALE, STRAIGHT,
SINGLE KEY, 22 AWG

PRODUCT CUSTOMER DRAWING

DOCUMENT NUMBER SD-120068-024 DOC TYPE PSD DOC PART 001 REVISION A