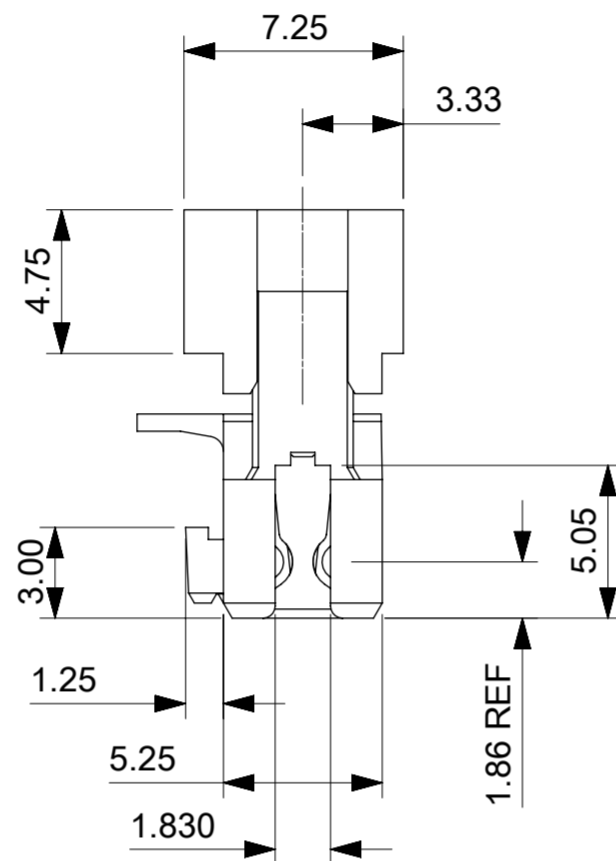


4000012662

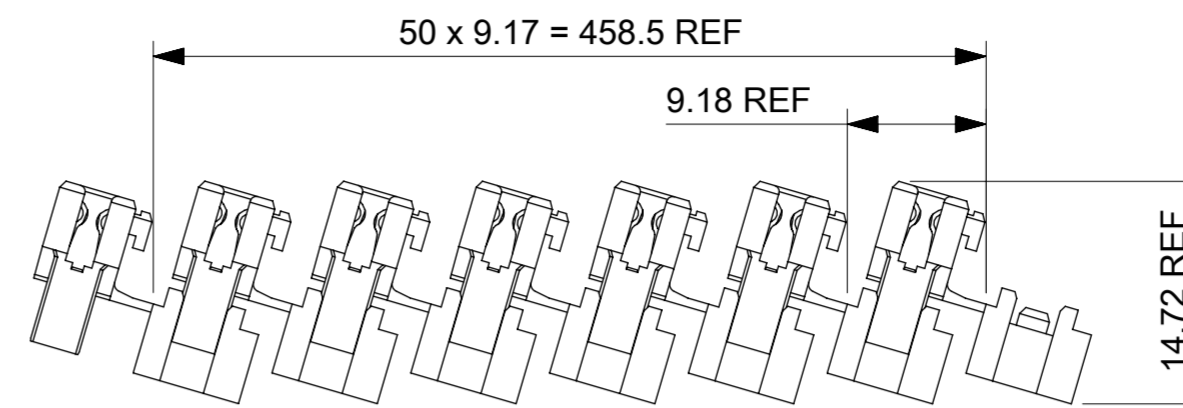
POSITION OF COLOUR STRIPE (see note 3)



POSITION KEYS



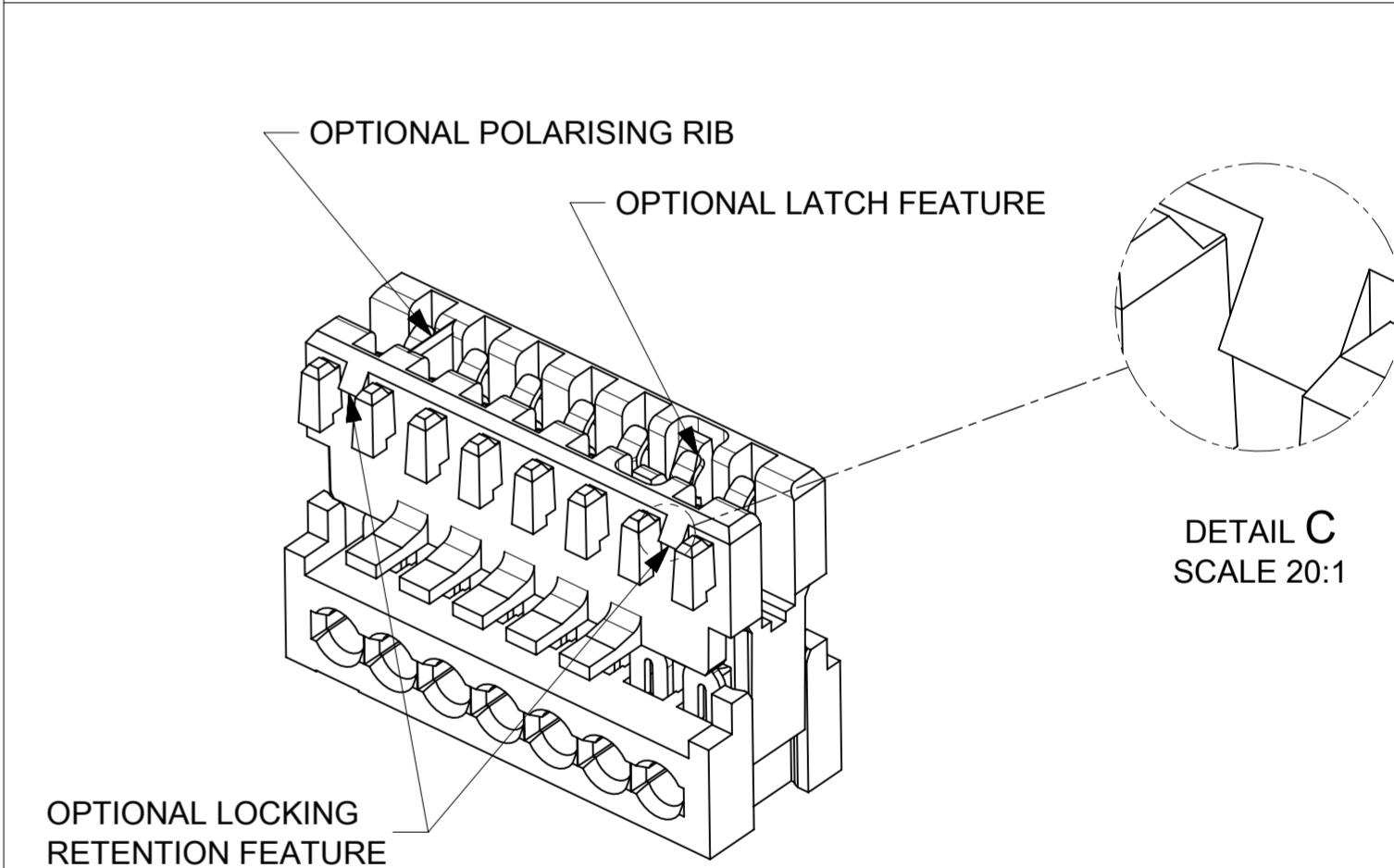
CIRCUIT 1



SHIPPING ARRANGEMENT

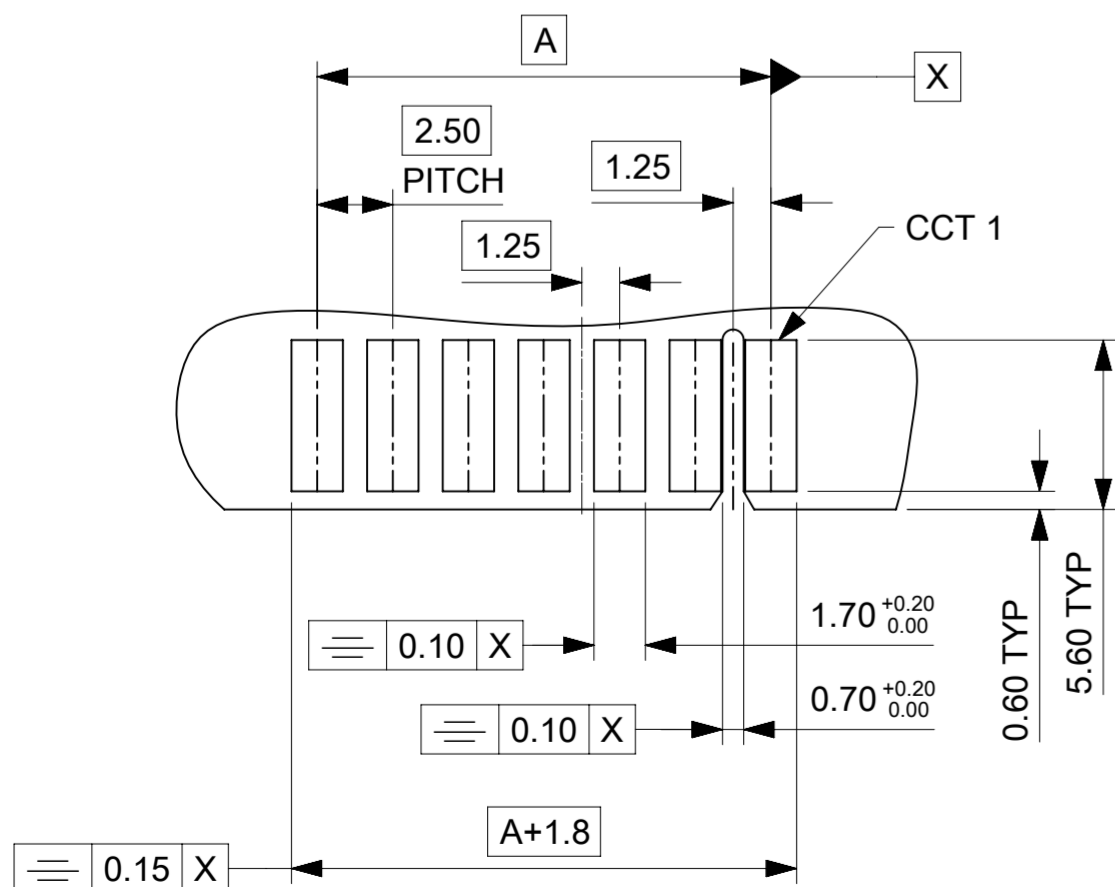
| CCT | A    | B      |
|-----|------|--------|
| 3   | 5.0  | 9.875  |
| 4   | 7.5  | 12.375 |
| 5   | 10.0 | 14.875 |
| 6   | 12.5 | 17.375 |
| 7   | 15.0 | 19.875 |
| 8   | 17.5 | 22.375 |
| 9   | 20.0 | 24.875 |
| 10  | 22.5 | 27.375 |
| 11  | 25.0 | 29.875 |
| 12  | 27.5 | 32.375 |
| 13  | 30.0 | 34.875 |
| 14  | 32.5 | 37.375 |
| 15  | 35.0 | 39.875 |
| 16  | 37.5 | 42.375 |
| 17  | 40.0 | 44.875 |
| 18  | 42.5 | 47.375 |
| 19  | 45.0 | 49.875 |
| 20  | 47.5 | 52.375 |

OPTIONAL PART FEATURES



SEE SUBSEQUENT SHEETS FOR RELEVANT PART NUMBERS.  
\*LOCKING RETENTION FEATURE AVAILABLE FIRST AND LAST CIRCUIT ONLY  
SMALLEST CIRCUIT SIZE AVAILABLE WITH LOCKING RETENTION FEATURE IS 5 CKT

- NOTES:
- REFER TO PRODUCT SPECIFICATION: PS-99020-0040.
  - MATERIAL: HOUSING - NYLON PA6 UL94-VO, COLOUR: NATURAL (WHITE).  
TERMINAL: PHOSPHOR BRONZE 0.30 REF. THICK - PLATING HOT TIN DIP.
  - COLOUR STRIPE IS OPTIONAL. AVAILABLE IN THE FOLLOWING COLOURS: RED, GREEN, BLUE, PURPLE (BOLD SIGNIFIES CUSTOMER SPECIFIC CONFIGURATION).
  - REFER TO PACKAGING SPEC (PK-90871-001)
  - REFER TO APPLICATION SPEC (990330008 AS)
  - RIB THICKNESS = 0.38mm



- PCB LAYOUT FOR 7CCT (2.5mm) CONNECTOR  
(WITH OPTIONAL POSITIONAL RIB SLOT BETWEEN CCT 1 & 2)  
- RECOMMENDED PCB THICKNESS 1.5±0.14

|   |              |                        |                |
|---|--------------|------------------------|----------------|
| THIS DRAWING CONTAINS INFORMATION THAT IS PROPRIETARY TO MOLEX ELECTRONIC TECHNOLOGIES, LLC AND SHOULD NOT BE USED WITHOUT WRITTEN PERMISSION |              |                        |                |
| DIMENSION UNITS   | SCALE        | CURRENT REV DESC:      |                |
| mm  | NTS          |                        |                |
| GENERAL TOLERANCES (UNLESS SPECIFIED)   |              |                        |                |
| ANGULAR TOL   | ± 0.5°       | EC NO: 743071          |                |
| 4 PLACES  | ±            | DRWN: RAHULH3          | 2023/03/21     |
| 3 PLACES  | ± 0.05       | CHK'D: RAHULH3         | 2023/03/21     |
| 2 PLACES  | ± 0.1        | APPR: MRAMAKRISHNA     | 2023/03/21     |
| 1 PLACE   | ± 0.2        | INITIAL REVISION:      |                |
| 0 PLACES  | ±            | DRWN: CFISHER01        | 2016/05/06     |
|   |              | APPR: BRUTTLE          | 2016/07/01     |
| DRAFT WHERE APPLICABLE MUST REMAIN WITHIN DIMENSIONS  |              | THIRD ANGLE PROJECTION | DRAWING        |
|   |              |                        | SERIES         |
|   |              | A2-SIZE                | 91716          |
| DOCUMENT STATUS   |              | MATERIAL NUMBER        | CUSTOMER       |
| P1  | RELEASE DATE | SEE TABLE              | GENERAL MARKET |
| 2023/03/21  | 09:38:20     |                        |                |
| DOCUMENT NUMBER   |              | DOC TYPE               | DOC PART       |
| 917160001   |              | PSD                    | 000            |
|   |              | REVISION               | N4             |
| SHEET NUMBER  |              | 1 OF 10                |                |

| 2 CIRCUIT   |              |                        |                |                       |               |               |              |                        |               |
|-------------|--------------|------------------------|----------------|-----------------------|---------------|---------------|--------------|------------------------|---------------|
| PART NUMBER | HOUSING USED | TERMINAL VOID POSITION | LATCH POSITION | REMOVED POSITION KEYS | CONFIGURATION | FIRST ENDWALL | LAST ENDWALL | POLARIZING RIB BETWEEN | COLOUR STRIPE |
| 91716-9001  | 91715-0002   | NONE                   | NONE           | NONE                  |               | OPEN          | OPEN         | NONE                   | NONE          |
| 91716-9002  | 91715-0042   | NONE                   | NONE           | a                     |               | OPEN          | CLOSED       | NONE                   | NONE          |
| 91716-9004  | 91715-0002   | NONE                   | NONE           | c                     |               | OPEN          | OPEN         | NONE                   | NONE          |
| 91716-9005  | 91715-0102   | NONE                   | NONE           | NONE                  |               | OPEN          | OPEN         | 1&2                    | NONE          |

| 3 CIRCUIT   |              |                        |                |                       |               |               |              |                        |               |
|-------------|--------------|------------------------|----------------|-----------------------|---------------|---------------|--------------|------------------------|---------------|
| PART NUMBER | HOUSING USED | TERMINAL VOID POSITION | LATCH POSITION | REMOVED POSITION KEYS | CONFIGURATION | FIRST ENDWALL | LAST ENDWALL | POLARIZING RIB BETWEEN | COLOUR STRIPE |
| 91716-0001  | 91715-0003   | NONE                   | NONE           | NONE                  |               | OPEN          | OPEN         | NONE                   | NONE          |
| 91716-0002  | 91715-0003   | NONE                   | NONE           | a d                   |               | OPEN          | OPEN         | NONE                   | RED           |
| 91716-0013  | 91715-0003   | NONE                   | NONE           | a                     |               | OPEN          | OPEN         | NONE                   | NONE          |
| 91716-0014  | 91715-0003   | NONE                   | NONE           | b                     |               | OPEN          | OPEN         | NONE                   | NONE          |
| 91716-0015  | 91715-0003   | NONE                   | NONE           | c                     |               | OPEN          | OPEN         | NONE                   | NONE          |
| 91716-0016  | 91715-0003   | NONE                   | NONE           | d                     |               | OPEN          | OPEN         | NONE                   | NONE          |
| 91716-0017  | 91715-0003   | NONE                   | NONE           | b d                   |               | OPEN          | OPEN         | NONE                   | NONE          |
| 91716-0018  | 91715-0003   | NONE                   | NONE           | a c                   |               | OPEN          | OPEN         | NONE                   | NONE          |
| 91716-0019  | 91715-0003   | NONE                   | NONE           | a d                   |               | OPEN          | OPEN         | NONE                   | NONE          |
| 91716-0020  | 91715-0003   | NONE                   | NONE           | a b                   |               | OPEN          | OPEN         | NONE                   | NONE          |
| 91716-0021  | 91715-0003   | NONE                   | NONE           | b c                   |               | OPEN          | OPEN         | NONE                   | NONE          |
| 91716-0022  | 91715-0003   | NONE                   | NONE           | c d                   |               | OPEN          | OPEN         | NONE                   | NONE          |
| 91716-0023  | 91715-0003   | CCT 2                  | NONE           | b d                   |               | OPEN          | OPEN         | NONE                   | NONE          |
| 91716-0024  | 91715-0003   | CCT 3                  | NONE           | c                     |               | OPEN          | OPEN         | NONE                   | BLUE          |
| 91716-0034  | 91715-0103   | NONE                   | NONE           | NONE                  |               | OPEN          | OPEN         | 1&2                    | NONE          |
| 91716-0041  | 91715-0203   | NONE                   | NONE           | NONE                  |               | OPEN          | OPEN         | 2&3                    | NONE          |
| 91716-0042  | 91715-0003   | CCT 1                  | NONE           | NONE                  |               | OPEN          | OPEN         | NONE                   | NONE          |
| 91716-0043  | 91715-0003   | CCT 1                  | NONE           | c                     |               | OPEN          | OPEN         | NONE                   | NONE          |
| 91716-0044  | 91715-0003   | NONE                   | NONE           | b d                   |               | OPEN          | OPEN         | NONE                   | BLUE          |
| 91716-0045  | 91715-0003   | NONE                   | NONE           | b                     |               | OPEN          | OPEN         | NONE                   | BLUE          |
| 91716-0046  | 91715-0003   | CCT 1                  | NONE           | d                     |               | OPEN          | OPEN         | NONE                   | NONE          |

3CCT CONTINUED ON NEXT SHEET

NOTES

- + DENOTES TERMINAL VOIDED POSITION
  - ⊕ DENOTES TERMINAL LOADED POSITION
  - | DENOTES POLARIZING RIB POSITION
2. MOLEX HOUSING NO. FOR REFERENCE ONLY

|   |  |                        |  |                               |  |        |  |                 |  |   |  |              |  |
|---|--|------------------------|--|-------------------------------|--|--------|--|-----------------|--|---|--|--------------|--|
| THIS DRAWING CONTAINS INFORMATION THAT IS PROPRIETARY TO MOLEX ELECTRONIC TECHNOLOGIES, LLC AND SHOULD NOT BE USED WITHOUT WRITTEN PERMISSION |  |                        |  |                               |  |        |  |                 |  |   |  |              |  |
| DIMENSION UNITS   |  | SCALE                  |  | CURRENT REV DESC:             |  |        |  |                 |  |   |  |              |  |
| mm  |  | NTS                    |  |                               |  |        |  |                 |  |   |  |              |  |
| GENERAL TOLERANCES (UNLESS SPECIFIED)   |  |                        |  | EC NO: 743071                 |  |        |  |                 |  | <b>APPLI-MATE 2.5 FEMALE</b><br>(MATL: NYLON PA6) |  |              |  |
| ANGULAR TOL ± 0.5°  |  |                        |  | DRWN: RAHULH3 2023/03/21      |  |        |  |                 |  |   |  |              |  |
| 4 PLACES ±  |  |                        |  | CHK'D: RAHULH3 2023/03/21     |  |        |  |                 |  | <b>PRODUCT CUSTOMER DRAWING</b>                   |  |              |  |
| 3 PLACES ± 0.05   |  |                        |  | APPR: MRAMAKRISHNA 2023/03/21 |  |        |  |                 |  |   |  |              |  |
| 2 PLACES ± 0.1  |  |                        |  | INITIAL REVISION:             |  |        |  |                 |  | DOCUMENT NUMBER<br><b>917160001</b>               |  |              |  |
| 1 PLACE ± 0.2   |  |                        |  | DRWN: CFISHER01 2016/05/06    |  |        |  |                 |  |   |  |              |  |
| 0 PLACES ±  |  |                        |  | APPR: BRUTTLE 2016/07/01      |  |        |  |                 |  | DOC TYPE   DOC PART   REVISION<br>PSD   000   N4  |  |              |  |
| DRAFT WHERE APPLICABLE MUST REMAIN WITHIN DIMENSIONS  |  | THIRD ANGLE PROJECTION |  | DRAWING                       |  | SERIES |  | MATERIAL NUMBER |  | CUSTOMER  |  | SHEET NUMBER |  |
|   |  |                        |  | A2-SIZE                       |  | 91716  |  | SEE TABLE       |  | GENERAL MARKET                                    |  | 2 OF 10      |  |

|                 |    |              |            |          |
|-----------------|----|--------------|------------|----------|
| DOCUMENT STATUS | P1 | RELEASE DATE | 2023/03/21 | 09:38:20 |
|-----------------|----|--------------|------------|----------|

### 3 CIRCUIT

| PART NUMBER | HOUSING USED | TERMINAL VOID POSITION | LATCH POSITION | REMOVED POSITION KEYS | CONFIGURATION | FIRST ENDWALL | LAST ENDWALL | POLARIZING RIB BETWEEN | COLOUR STRIPE |
|-------------|--------------|------------------------|----------------|-----------------------|---------------|---------------|--------------|------------------------|---------------|
| 91716-0047  | 91715-0003   | NONE                   | NONE           | b d                   |               | OPEN          | OPEN         | NONE                   | RED           |
| 91716-0048  | 91715-0003   | NONE                   | NONE           | b c d                 |               | OPEN          | OPEN         | NONE                   | NONE          |
| 91716-0049  | 91715-0003   | NONE                   | NONE           | c                     |               | OPEN          | OPEN         | NONE                   | PURPLE        |
| 91716-0050  | 91715-9903   | NONE                   | NONE           | NONE                  |               | OPEN          | NARROW       | NONE                   | NONE          |
| 91716-0051  | 91715-0003   | NONE                   | NONE           | d                     |               | OPEN          | OPEN         | NONE                   | BLACK         |
| 91716-0053  | 91715-0043   | NONE                   | NONE           | d                     |               | OPEN          | CLOSED       | NONE                   | NONE          |
| 91716-0054  | 91715-0243   | NONE                   | NONE           | NONE                  |               | OPEN          | CLOSED       | 2&3                    | NONE          |
| 91716-0055  | 91715-0043   | NONE                   | NONE           | a                     |               | OPEN          | CLOSED       | NONE                   | NONE          |
| 91716-0056  | 91715-0063   | NONE                   | NONE           | c                     |               | CLSIED        | OPEN         | NONE                   | NONE          |
| 91716-0058  | 91715-0003   | CCT 3                  | NONE           | d                     |               | OPEN          | OPEN         | NONE                   | NONE          |
| 91716-0059  | 91715-0003   | CCT 3                  | NONE           | c d                   |               | OPEN          | OPEN         | NONE                   | NONE          |

### 4 CIRCUIT

| PART NUMBER | HOUSING USED | TERMINAL VOID POSITION | LATCH POSITION | REMOVED POSITION KEYS | CONFIGURATION | FIRST ENDWALL | LAST ENDWALL | POLARIZING RIB BETWEEN | COLOUR STRIPE |
|-------------|--------------|------------------------|----------------|-----------------------|---------------|---------------|--------------|------------------------|---------------|
| 91716-0501  | 91715-0004   | NONE                   | NONE           | NONE                  |               | OPEN          | OPEN         | NONE                   | NONE          |
| 91716-0502  | 91715-0004   | NONE                   | NONE           | d                     |               | OPEN          | OPEN         | NONE                   | NONE          |
| 91716-0503  | 91715-0004   | NONE                   | NONE           | a d                   |               | OPEN          | OPEN         | NONE                   | NONE          |
| 91716-0504  | 91715-0004   | NONE                   | NONE           | c e                   |               | OPEN          | OPEN         | NONE                   | NONE          |
| 91716-0505  | 91715-0004   | NONE                   | NONE           | a                     |               | OPEN          | OPEN         | NONE                   | NONE          |
| 91716-0506  | 91715-0204   | NONE                   | NONE           | NONE                  |               | OPEN          | OPEN         | 2&3                    | NONE          |
| 91716-0538  | 91715-0004   | NONE                   | NONE           | b                     |               | OPEN          | OPEN         | NONE                   | NONE          |
| 91716-0530  | 91715-0004   | NONE                   | NONE           | b c                   |               | OPEN          | OPEN         | NONE                   | NONE          |
| 91716-0539  | 91715-0004   | NONE                   | NONE           | a b                   |               | OPEN          | OPEN         | NONE                   | NONE          |
| 91716-0540  | 91715-0004   | NONE                   | NONE           | d e                   |               | OPEN          | OPEN         | NONE                   | NONE          |
| 91716-0541  | 91715-0004   | NONE                   | NONE           | ALL                   |               | OPEN          | OPEN         | NONE                   | NONE          |
| 91716-0542  | 91715-0004   | NONE                   | NONE           | a b e                 |               | OPEN          | OPEN         | NONE                   | NONE          |
| 91716-0507  | 91715-0004   | CCT 1                  | NONE           | NONE                  |               | OPEN          | OPEN         | NONE                   | NONE          |
| 91716-0543  | 91715-0304   | NONE                   | NONE           | NONE                  |               | OPEN          | OPEN         | 3&4                    | RED           |
| 91716-0544  | 91715-0204   | NONE                   | NONE           | NONE                  |               | OPEN          | OPEN         | 2&3                    | BLUE          |
| 91716-0545  | 91715-0004   | NONE                   | NONE           | d                     |               | OPEN          | OPEN         | NONE                   | BLUE          |

### 4 CIRCUIT

| PART NUMBER | HOUSING USED | TERMINAL VOID POSITION | LATCH POSITION | REMOVED POSITION KEYS | CONFIGURATION | FIRST ENDWALL | LAST ENDWALL | POLARIZING RIB BETWEEN | COLOUR STRIPE |
|-------------|--------------|------------------------|----------------|-----------------------|---------------|---------------|--------------|------------------------|---------------|
| 91716-0546  | 91715-0004   | NONE                   | NONE           | b                     |               | OPEN          | OPEN         | NONE                   | RED           |
| 91716-0547  | 91715-0004   | NONE                   | NONE           | b c                   |               | OPEN          | OPEN         | NONE                   | GREEN         |
| 91716-0548  | 91715-0004   | NONE                   | NONE           | c d                   |               | OPEN          | OPEN         | NONE                   | RED           |
| 91716-0549  | 91715-0004   | NONE                   | NONE           | a c e                 |               | OPEN          | OPEN         | NONE                   | NONE          |
| 91716-0550  | 91715-0104   | NONE                   | NONE           | NONE                  |               | OPEN          | OPEN         | 1&2                    | NONE          |
| 91716-0551  | 91715-0004   | NONE                   | NONE           | NONE                  |               | OPEN          | OPEN         | NONE                   | GREEN         |
| 91716-0552  | 91715-0004   | NONE                   | NONE           | b c d                 |               | OPEN          | OPEN         | NONE                   | NONE          |
| 91716-0553  | 91715-0004   | NONE                   | NONE           | b d                   |               | OPEN          | OPEN         | NONE                   | NONE          |
| 91716-0554  | 91715-0004   | NONE                   | NONE           | a b d                 |               | OPEN          | OPEN         | NONE                   | NONE          |
| 91716-0555  | 91715-0004   | NONE                   | NONE           | a c e                 |               | OPEN          | OPEN         | NONE                   | BLACK         |
| 91716-0556  | 91715-0004   | NONE                   | NONE           | a e                   |               | OPEN          | OPEN         | NONE                   | NONE          |
| 91716-0557  | 91715-0104   | NONE                   | NONE           | a b d e               |               | OPEN          | OPEN         | 1&2                    | NONE          |
| 91716-0558  | 91715-0004   | NONE                   | NONE           | a c                   |               | OPEN          | OPEN         | NONE                   | NONE          |
| 91716-0559  | 91715-0004   | NONE                   | NONE           | b e                   |               | OPEN          | OPEN         | NONE                   | NONE          |
| 91716-0560  | 91715-0004   | NONE                   | NONE           | a d e                 |               | OPEN          | OPEN         | NONE                   | NONE          |

#### NOTES

- + DENOTES TERMINAL VOIDED POSITION  
⊕ DENOTES TERMINAL LOADED POSITION  
| DENOTES POLARIZING RIB POSITION
- MOLEX HOUSING NO. FOR REFERENCE ONLY

|   |  |                        |  |   |  |          |  |                 |  |
|---|--|------------------------|--|---|--|----------|--|-----------------|--|
| THIS DRAWING CONTAINS INFORMATION THAT IS PROPRIETARY TO MOLEX ELECTRONIC TECHNOLOGIES, LLC AND SHOULD NOT BE USED WITHOUT WRITTEN PERMISSION |  |                        |  |   |  |          |  |                 |  |
| DIMENSION UNITS   |  | SCALE                  |  | CURRENT REV DESC:   |  |          |  |                 |  |
| mm  |  | NTS                    |  |   |  |          |  |                 |  |
| GENERAL TOLERANCES (UNLESS SPECIFIED)   |  |                        |  | EC NO: 743071<br>DRWN: RAHULH3<br>CHK'D: RAHULH3<br>APPR: MRAMAKRISHNA<br>INITIAL REVISION:<br>DRWN: CFISHER01<br>APPR: BRUTTLE |  |          |  |                 |  |
| ANGULAR TOL ± 0.5°  |  |                        |  |   |  |          |  |                 |  |
| 4 PLACES ±  |  | 2023/03/21             |  |   |  |          |  |                 |  |
| 3 PLACES ± 0.05   |  | 2023/03/21             |  |   |  |          |  |                 |  |
| 2 PLACES ± 0.1  |  | 2023/03/21             |  |   |  |          |  |                 |  |
| 1 PLACE ± 0.2   |  | 2016/05/06             |  | DOCUMENT NUMBER   |  |          |  |                 |  |
| 0 PLACES ±  |  | 2016/07/01             |  | 917160001   |  |          |  |                 |  |
| DRAFT WHERE APPLICABLE MUST REMAIN WITHIN DIMENSIONS  |  | THIRD ANGLE PROJECTION |  | DRAWING   |  | SERIES   |  | MATERIAL NUMBER |  |
|   |  |                        |  | A2-SIZE   |  | 91716    |  | SEE TABLE       |  |
|   |  |                        |  | CUSTOMER  |  | REVISION |  | SHEET NUMBER    |  |
|   |  |                        |  | GENERAL MARKET  |  | N4       |  | 3 OF 10         |  |

**molex**

APPLI-MATE 2.5 FEMALE  
(MATL: NYLON PA6)

PRODUCT CUSTOMER DRAWING

917160001

PSD 000 N4

# 5 CIRCUIT

| PART NUMBER | HOUSING USED | TERMINAL VOID POSITION | LATCH POSITION | REMOVED POSITION KEYS | CONFIGURATION | FIRST ENDWALL | LAST ENDWALL | POLARIZING RIB BETWEEN | COLOUR STRIPE |                           |
|-------------|--------------|------------------------|----------------|-----------------------|---------------|---------------|--------------|------------------------|---------------|---------------------------|
| 91716-1001  | 91715-0005   | NONE                   | NONE           | NONE                  |               | OPEN          | OPEN         | NONE                   | NONE          |                           |
| 91716-1002  | 91715-0305   | NONE                   | NONE           | ALL                   |               | OPEN          | OPEN         | 3&4                    | NONE          |                           |
| 91716-1003  | 91715-0405   | NONE                   | NONE           | NONE                  |               | OPEN          | OPEN         | 4&5                    | NONE          |                           |
| 91716-1004  | 91715-0005   | NONE                   | NONE           | c d                   |               | OPEN          | OPEN         | NONE                   | NONE          |                           |
| 91716-1005  | 91715-0005   | NONE                   | NONE           | a                     |               | OPEN          | OPEN         | NONE                   | NONE          |                           |
| 91716-1006  | 91715-0005   | NONE                   | NONE           | b                     |               | OPEN          | OPEN         | NONE                   | NONE          |                           |
| 91716-1007  | 91715-0005   | NONE                   | NONE           | a b e f               |               | OPEN          | OPEN         | NONE                   | NONE          |                           |
| 91716-1008  | 91715-0205   | NONE                   | NONE           | NONE                  |               | OPEN          | OPEN         | 2&3                    | NONE          |                           |
| 91716-1009  | 91715-0005   | CCT 2,3,4              | NONE           | NONE                  |               | OPEN          | OPEN         | NONE                   | NONE          |                           |
| 91716-1010  | 91715-0005   | CCT 2                  | NONE           | c                     |               | OPEN          | OPEN         | NONE                   | NONE          |                           |
| 91716-1011  | 91715-0005   | CCT 2                  | NONE           | d                     |               | OPEN          | OPEN         | NONE                   | NONE          |                           |
| 91716-1012  | 91715-0005   | CCT 2                  | NONE           | b                     |               | OPEN          | OPEN         | NONE                   | NONE          |                           |
| 91716-1013  | 91715-0005   | CCT 2                  | NONE           | a                     |               | OPEN          | OPEN         | NONE                   | NONE          |                           |
| 91716-1014  | 91715-0005   | NONE                   | NONE           | b c d e               |               | OPEN          | OPEN         | NONE                   | NONE          |                           |
| 91716-1015  | 91715-0305   | CCT 2,3,4              | NONE           | NONE                  |               | OPEN          | OPEN         | 3&4                    | RED           |                           |
| 91716-1016  | 91715-0005   | CCT 2                  | NONE           | b                     |               | OPEN          | OPEN         | NONE                   | RED           |                           |
| 91716-1017  | 91715-0005   | NONE                   | NONE           | d e                   |               | OPEN          | OPEN         | NONE                   | NONE          |                           |
| 91716-1018  | 91715-0005   | NONE                   | NONE           | a d f                 |               | OPEN          | OPEN         | NONE                   | NONE          |                           |
| 91716-1019  | 91715-0105   | NONE                   | NONE           | NONE                  |               | OPEN          | OPEN         | 1&2                    | NONE          |                           |
| 91716-1020  | 91715-0005   | CCT 2,3,4              | NONE           | b                     |               | OPEN          | OPEN         | NONE                   | NONE          |                           |
| 91716-1021  | 91715-0005   | NONE                   | NONE           | d                     |               | OPEN          | OPEN         | NONE                   | NONE          |                           |
| 91716-1022  | 91715-0005   | NONE                   | NONE           | b f                   |               | OPEN          | OPEN         | NONE                   | RED           |                           |
| 91716-1023  | 91715-0005   | CCT 2,3,4              | NONE           | c e                   |               | OPEN          | OPEN         | NONE                   | NONE          |                           |
| 91716-1024  | 91715-0205   | NONE                   | NONE           | a b e f               |               | OPEN          | OPEN         | 2&3                    | NONE          |                           |
| 91716-1025  | 91715-0005   | CCT 2,3,4              | NONE           | c f                   |               | OPEN          | OPEN         | NONE                   | NONE          |                           |
| 91716-1026  | 93473-0205   | NONE                   | NONE           | ALL                   |               | OPEN          | OPEN         | 2&3                    | NONE          | LOCKING RETENTION FEATURE |
| 91716-1027  | 91715-0205   | NONE                   | NONE           | ALL                   |               | OPEN          | OPEN         | 2&3                    | NONE          | LOCKING RETENTION FEATURE |
| 91716-1028  | 93473-0005   | NONE                   | NONE           | NONE                  |               | OPEN          | OPEN         | NONE                   | NONE          | LOCKING RETENTION FEATURE |
| 91716-1029  | 91715-0005   | NONE                   | NONE           | b c d                 |               | OPEN          | OPEN         | NONE                   | NONE          |                           |
| 91716-1030  | 91715-0085   | NONE                   | NONE           | NONE                  |               | NARROW        | OPEN         | NONE                   | NONE          |                           |

# 5 CIRCUIT

| PART NUMBER | HOUSING USED | TERMINAL VOID POSITION | LATCH POSITION | REMOVED POSITION KEYS | CONFIGURATION | FIRST ENDWALL | LAST ENDWALL | POLARIZING RIB BETWEEN | COLOUR STRIPE |
|-------------|--------------|------------------------|----------------|-----------------------|---------------|---------------|--------------|------------------------|---------------|
| 91716-1031  | 91715-0305   | NONE                   | NONE           | b c d e f             |               | OPEN          | OPEN         | 3 & 4                  | NONE          |
| 91716-1032  | 91715-0405   | NONE                   | NONE           | b c d e f             |               | OPEN          | OPEN         | 4 & 5                  | NONE          |

(N3)

(N3)

### NOTES

- + DENOTES TERMINAL VOIDED POSITION  
⊕ DENOTES TERMINAL LOADED POSITION  
| DENOTES POLARIZING RIB POSITION
- MOLEX HOUSING NO. FOR REFERENCE ONLY

|   |        |   |            |  |  |  |  |  |  |        |                 |                |              |
|---|--------|---|------------|--|--|--|--|--|--|--------|-----------------|----------------|--------------|
| THIS DRAWING CONTAINS INFORMATION THAT IS PROPRIETARY TO MOLEX ELECTRONIC TECHNOLOGIES, LLC AND SHOULD NOT BE USED WITHOUT WRITTEN PERMISSION |        |   |            |  |  |  |  |  |  |        |                 |                |              |
| DIMENSION UNITS   | SCALE  | CURRENT REV DESC:   |            |  |  |  |  |  |  |        |                 |                |              |
| mm  | NTS    | <br>APPLI-MATE 2.5 FEMALE (MATL: NYLON PA6)<br>PRODUCT CUSTOMER DRAWING |            |  |  |  |  |  |  |        |                 |                |              |
| GENERAL TOLERANCES (UNLESS SPECIFIED)   |        |   |            |  |  |  |  |  |  |        |                 |                |              |
| ANGULAR TOL   | ± 0.5° |   |            |  |  |  |  |  |  |        |                 |                |              |
| 4 PLACES  | ±      |   |            |  |  |  |  |  |  |        |                 |                |              |
| 3 PLACES  | ± 0.05 |   |            |  |  |  |  |  |  |        |                 |                |              |
| 2 PLACES  | ± 0.1  | EC NO: 743071   | 2023/03/21 | DRWN: RAHULH3<br>CHK'D: RAHULH3<br>APPR: MRAMAKRISHNA<br>INITIAL REVISION:<br>DRWN: CFISHER01<br>APPR: BRUTTLE |  |  |  |  |  |        |                 |                |              |
| 1 PLACE   | ± 0.2  | 2016/05/06  |            |  |  |  |  |  |  |        |                 |                |              |
| 0 PLACES  | ±      | 2016/07/01  |            |  |  |  |  |  |  |        |                 |                |              |
| DRAFT WHERE APPLICABLE MUST REMAIN WITHIN DIMENSIONS  |        | THIRD ANGLE PROJECTION  | DRAWING    |  |  |  |  |  |  | SERIES | MATERIAL NUMBER | CUSTOMER       | SHEET NUMBER |
|   |        |   | A2-SIZE    |  |  |  |  |  |  | 91716  | SEE TABLE       | GENERAL MARKET | 4 OF 10      |

| 6 CIRCUIT   |              |                        |                |                       |               |               |              |                        |               |
|-------------|--------------|------------------------|----------------|-----------------------|---------------|---------------|--------------|------------------------|---------------|
| PART NUMBER | HOUSING USED | TERMINAL VOID POSITION | LATCH POSITION | REMOVED POSITION KEYS | CONFIGURATION | FIRST ENDWALL | LAST ENDWALL | POLARIZING RIB BETWEEN | COLOUR STRIPE |
| 91716-1501  | 91715-0006   | NONE                   | NONE           | NONE                  |               | OPEN          | OPEN         | NONE                   | NONE          |
| 91716-1502  | 91715-0306   | NONE                   | NONE           | ALL                   |               | OPEN          | OPEN         | 3&4                    | NONE          |
| 91716-1503  | 91715-0006   | NONE                   | NONE           | c e f g               |               | OPEN          | OPEN         | NONE                   | NONE          |
| 91716-1504  | 91715-0206   | NONE                   | NONE           | ALL                   |               | OPEN          | OPEN         | 2&3                    | NONE          |
| 91716-1505  | 91715-0006   | CCT 2,5                | NONE           | d f                   |               | OPEN          | OPEN         | NONE                   | NONE          |
| 91716-1506  | 91715-0006   | NONE                   | NONE           | a b f g               |               | OPEN          | OPEN         | NONE                   | NONE          |
| 91716-1507  | 91715-0006   | NONE                   | NONE           | e f                   |               | OPEN          | OPEN         | NONE                   | NONE          |
| 91716-1509  | 91715-0006   | NONE                   | NONE           | g                     |               | OPEN          | OPEN         | NONE                   | NONE          |
| 91716-1510  | 91715-0006   | CCT 2                  | NONE           | c f                   |               | OPEN          | OPEN         | NONE                   | NONE          |
| 91716-1511  | 91715-0006   | CCT 2,5                | NONE           | NONE                  |               | OPEN          | OPEN         | NONE                   | NONE          |
| 91716-1512  | 91715-0006   | CCT 3,5                | NONE           | NONE                  |               | OPEN          | OPEN         | NONE                   | NONE          |
| 91716-1513  | 91715-0006   | CCT 2,4                | NONE           | b d e f               |               | OPEN          | OPEN         | NONE                   | NONE          |
| 91716-1514  | 91715-0106   | CCT 3,5                | NONE           | NONE                  |               | OPEN          | OPEN         | 1&2                    | NONE          |
| 91716-1515  | 91715-0206   | CCT 2,5                | NONE           | NONE                  |               | OPEN          | OPEN         | 2&3                    | NONE          |
| 91716-1516  | 91715-0306   | NONE                   | NONE           | c f                   |               | OPEN          | OPEN         | 3&4                    | NONE          |
| 91716-1517  | 91715-0006   | NONE                   | NONE           | c e                   |               | OPEN          | OPEN         | NONE                   | NONE          |
| 91716-1518  | 91715-0006   | CCT 2,4                | NONE           | NONE                  |               | OPEN          | OPEN         | NONE                   | NONE          |
| 91716-1519  | 91715-0006   | NONE                   | NONE           | a c e                 |               | OPEN          | OPEN         | NONE                   | NONE          |
| 91716-1520  | 91715-0006   | CCT 5                  | NONE           | c e                   |               | OPEN          | OPEN         | NONE                   | NONE          |
| 91716-1521  | 91715-0006   | CCT 2,4,5,6            | NONE           | c e                   |               | OPEN          | OPEN         | NONE                   | NONE          |
| 91716-1522  | 91715-0006   | CCT 2,6                | NONE           | c e                   |               | OPEN          | OPEN         | NONE                   | NONE          |
| 91716-1523  | 91715-0406   | NONE                   | NONE           | NONE                  |               | OPEN          | OPEN         | 4&5                    | NONE          |
| 91716-1524  | 91715-0006   | CCT 2,4,5,6            | NONE           | NONE                  |               | OPEN          | OPEN         | NONE                   | NONE          |
| 91716-1525  | 91715-0006   | CCT 2,6                | NONE           | NONE                  |               | OPEN          | OPEN         | NONE                   | NONE          |
| 91716-1526  | 91715-0006   | CCT 2,5                | NONE           | NONE                  |               | OPEN          | OPEN         | NONE                   | NONE          |
| 91716-1527  | 91715-0006   | CCT 2,5                | NONE           | c e                   |               | OPEN          | OPEN         | NONE                   | NONE          |
| 91716-1528  | 91715-0006   | CCT 2,5                | NONE           | a b d f g             |               | OPEN          | OPEN         | NONE                   | GREEN         |
| 91716-1529  | 91715-0006   | NONE                   | NONE           | d                     |               | OPEN          | OPEN         | NONE                   | NONE          |
| 91716-1531  | 91715-0006   | CCT 1,2,3,5            | NONE           | NONE                  |               | OPEN          | OPEN         | NONE                   | NONE          |
| 91716-1532  | 91715-0006   | CCT 1,2,3,5            | NONE           | d f                   |               | OPEN          | OPEN         | NONE                   | NONE          |

| 6 CIRCUIT   |              |                        |                |                       |               |               |              |                        |               |
|-------------|--------------|------------------------|----------------|-----------------------|---------------|---------------|--------------|------------------------|---------------|
| PART NUMBER | HOUSING USED | TERMINAL VOID POSITION | LATCH POSITION | REMOVED POSITION KEYS | CONFIGURATION | FIRST ENDWALL | LAST ENDWALL | POLARIZING RIB BETWEEN | COLOUR STRIPE |
| 91716-1534  | 91715-0006   | CCT 3,4                | NONE           | b d f                 |               | OPEN          | OPEN         | NONE                   | NONE          |
| 91716-1535  | 91715-0006   | CCT 4,5                | NONE           | b d f                 |               | OPEN          | OPEN         | NONE                   | NONE          |
| 91716-1536  | 91715-0206   | NONE                   | NONE           | NONE                  |               | OPEN          | OPEN         | 2&3                    | NONE          |
| 91716-1537  | 91715-0006   | NONE                   | NONE           | d                     |               | OPEN          | OPEN         | NONE                   | BLUE          |
| 91716-1538  | 91715-0006   | CCT 2,5                | NONE           | b d                   |               | OPEN          | OPEN         | NONE                   | NONE          |
| 91716-1539  | 91715-0006   | CCT 5,6                | NONE           | c f                   |               | OPEN          | OPEN         | NONE                   | NONE          |
| 91716-1540  | 91715-0006   | CCT 2,4                | NONE           | d e                   |               | OPEN          | OPEN         | NONE                   | GREEN         |
| 91716-1541  | 91715-0006   | NONE                   | NONE           | a f g                 |               | OPEN          | OPEN         | NONE                   | NONE          |
| 91716-1542  | 91715-0006   | NONE                   | NONE           | NONE                  |               | OPEN          | OPEN         | NONE                   | RED           |
| 91716-1543  | 91715-0506   | NONE                   | NONE           | NONE                  |               | OPEN          | OPEN         | 5&6                    | NONE          |
| 91716-1544  | 91715-0006   | NONE                   | NONE           | c e g                 |               | OPEN          | OPEN         | NONE                   | RED           |
| 91716-1545  | 91715-0006   | NONE                   | NONE           | d f                   |               | OPEN          | OPEN         | NONE                   | BLACK         |
| 91716-1546  | 91715-0006   | NONE                   | NONE           | a d                   |               | OPEN          | OPEN         | NONE                   | NONE          |
| 91716-1547  | 91715-0006   | NONE                   | NONE           | b e f                 |               | OPEN          | OPEN         | NONE                   | NONE          |
| 91716-1548  | 91715-0006   | NONE                   | NONE           | c d e                 |               | OPEN          | OPEN         | NONE                   | NONE          |
| 91716-1549  | 91715-0406   | NONE                   | NONE           | NONE                  |               | OPEN          | OPEN         | 4&5                    | NONE          |
| 91716-1550  | 91715-0006   | NONE                   | NONE           | b d f                 |               | OPEN          | OPEN         | NONE                   | NONE          |
| 91716-1551  | 91715-0006   | NONE                   | NONE           | a c e g               |               | OPEN          | OPEN         | NONE                   | NONE          |
| 91716-1552  | 91715-0006   | NONE                   | NONE           | a b d f               |               | OPEN          | OPEN         | NONE                   | NONE          |
| 91716-1553  | 91715-0006   | CCT 2,5                | NONE           | c d                   |               | OPEN          | OPEN         | NONE                   | BLACK         |
| 91716-1554  | 91715-0006   | CCT 2,4                | NONE           | b                     |               | OPEN          | OPEN         | NONE                   | RED           |
| 91716-1555  | 91715-0006   | NONE                   | NONE           | c f                   |               | OPEN          | OPEN         | NONE                   | NONE          |
| 91716-1556  | 91715-0006   | NONE                   | NONE           | b d e g               |               | OPEN          | OPEN         | NONE                   | NONE          |
| 91716-1557  | 91715-0006   | CCT 2,4                | NONE           | b g                   |               | OPEN          | OPEN         | NONE                   | RED           |
| 91716-1558  | 91715-0006   | NONE                   | NONE           | d f                   |               | OPEN          | OPEN         | NONE                   | NONE          |

6CCT CONTINUED ON NEXT SHEET

- NOTES
- + DENOTES TERMINAL VOIDED POSITION
  - ⊕ DENOTES TERMINAL LOADED POSITION
  - | DENOTES POLARIZING RIB POSITION
2. MOLEX HOUSING NO. FOR REFERENCE ONLY

THIS DRAWING CONTAINS INFORMATION THAT IS PROPRIETARY TO MOLEX ELECTRONIC TECHNOLOGIES, LLC AND SHOULD NOT BE USED WITHOUT WRITTEN PERMISSION

|  |       |                    |  |   |  |                                |  |
|--|-------|--------------------|--|---|--|--------------------------------|--|
| DIMENSION UNITS                                      | SCALE | CURRENT REV DESC:  |  |   |  |                                |  |
| mm   | NTS   |                    |  |   |  |                                |  |
| GENERAL TOLERANCES (UNLESS SPECIFIED)                |       | EC NO: 743071      |  | APPLI-MATE 2.5 FEMALE (MATL: NYLON PA6) |  |                                |  |
| ANGULAR TOL ± 0.5°                                   |       | DRWN: RAHULH3      |  | 2023/03/21                              |  |                                |  |
| 4 PLACES ±   |       | CHK'D: RAHULH3     |  | 2023/03/21                              |  |                                |  |
| 2 PLACES ± 0.05                                      |       | APPR: MRAMAKRISHNA |  | 2023/03/21                              |  |                                |  |
| 1 PLACE ± 0.1  |       | INITIAL REVISION:  |  | PRODUCT CUSTOMER DRAWING                |  |                                |  |
| 0 PLACES ±   |       | DRWN: CFISHER01    |  | DOCUMENT NUMBER                         |  |                                |  |
| DRAFT WHERE APPLICABLE MUST REMAIN WITHIN DIMENSIONS |       | APPR: BRUTTLE      |  | 2016/05/06                              |  | 917160001                      |  |
| THIRD ANGLE PROJECTION                               |       | DRAWING            |  | SERIES                                  |  | DOC TYPE   DOC PART   REVISION |  |
|  |       | A2-SIZE            |  | 91716                                   |  | PSD   000   N4                 |  |
|  |       | MATERIAL NUMBER    |  | CUSTOMER                                |  | SHEET NUMBER                   |  |
|  |       | SEE TABLE          |  | GENERAL MARKET                          |  | 5 OF 10                        |  |

# 6 CIRCUIT

| PART NUMBER | HOUSING USED | TERMINAL VOID POSITION | LATCH POSITION | REMOVED POSITION KEYS | CONFIGURATION | FIRST ENDWALL | LAST ENDWALL | POLARIZING RIB BETWEEN | COLOUR STRIPE |                           |
|-------------|--------------|------------------------|----------------|-----------------------|---------------|---------------|--------------|------------------------|---------------|---------------------------|
| 91716-1559  | 91715-0006   | CCT 1                  | NONE           | NONE                  |               | OPEN          | OPEN         | NONE                   | NONE          |                           |
| 91716-1560  | 91715-0006   | NONE                   | NONE           | a c e f g             |               | OPEN          | OPEN         | NONE                   | NONE          |                           |
| 91716-1561  | 91715-0006   | NONE                   | NONE           | a d g                 |               | OPEN          | OPEN         | NONE                   | NONE          |                           |
| 91716-1562  | 91715-0006   | NONE                   | NONE           | a c d e f g           |               | OPEN          | OPEN         | NONE                   | NONE          |                           |
| 91716-1563  | 91715-0006   | CCT 5                  | NONE           | a c d e f g           |               | OPEN          | OPEN         | NONE                   | NONE          |                           |
| 91716-1564  | 91715-0006   | CCT 6                  | NONE           | a c d e f g           |               | OPEN          | OPEN         | NONE                   | NONE          |                           |
| 91716-1565  | 91715-0006   | CCT 5                  | NONE           | NONE                  |               | OPEN          | OPEN         | NONE                   | NONE          |                           |
| 91716-1566  | 93473-0006   | NONE                   | NONE           | NONE                  |               | OPEN          | OPEN         | NONE                   | NONE          | LOCKING RETENTION FEATURE |
| 91716-1567  | 93473-0006   | NONE                   | NONE           | d f                   |               | OPEN          | OPEN         | NONE                   | NONE          | LOCKING RETENTION FEATURE |
| 91716-1568  | 93473-0006   | CCT 1                  | NONE           | NONE                  |               | OPEN          | OPEN         | NONE                   | NONE          | LOCKING RETENTION FEATURE |
| 91716-1569  | 93473-0006   | NONE                   | NONE           | a c d e f g           |               | OPEN          | OPEN         | NONE                   | NONE          | LOCKING RETENTION FEATURE |
| 91716-1570  | 93473-0006   | CCT 5                  | NONE           | a c d e f g           |               | OPEN          | OPEN         | NONE                   | NONE          | LOCKING RETENTION FEATURE |
| 91716-1571  | 93473-0006   | CCT 5                  | NONE           | NONE                  |               | OPEN          | OPEN         | NONE                   | NONE          | LOCKING RETENTION FEATURE |
| 91716-1572  | 93473-0006   | NONE                   | NONE           | d                     |               | OPEN          | OPEN         | NONE                   | PURPLE        | LOCKING RETENTION FEATURE |
| 91716-1573  | 91715-0006   | CCT 2,5                | NONE           | c e g                 |               | OPEN          | OPEN         | NONE                   | RED           |                           |
| 91716-1574  | 91715-0406   | NONE                   | NONE           | a c e g               |               | OPEN          | OPEN         | 4&5                    | NONE          |                           |
| 91716-1575  | 91715-0106   | NONE                   | NONE           | a g                   |               | OPEN          | OPEN         | 1&2                    | NONE          |                           |
| 91716-1576  | 91715-0106   | CCT 3                  | NONE           | b                     |               | OPEN          | OPEN         | 1&2                    | NONE          |                           |
| 91716-1577  | 91715-9006   | CCT 3                  | CCT 3          | c d                   |               | OPEN          | OPEN         | 1&2                    | BLUE          |                           |

### NOTES

- + DENOTES TERMINAL VOIDED POSITION  
⊕ DENOTES TERMINAL LOADED POSITION  
| DENOTES POLARIZING RIB POSITION
- MOLEX HOUSING NO. FOR REFERENCE ONLY

|   |        |                        |         |        |   |  |  |  |  |
|---|--------|------------------------|---------|--------|---|--|--|--|--|
| THIS DRAWING CONTAINS INFORMATION THAT IS PROPRIETARY TO MOLEX ELECTRONIC TECHNOLOGIES, LLC AND SHOULD NOT BE USED WITHOUT WRITTEN PERMISSION |        |                        |         |        |   |  |  |  |  |
| DIMENSION UNITS   | SCALE  | CURRENT REV DESC:      |         |        |   |  |  |  |  |
| mm  | NTS    |                        |         |        |   |  |  |  |  |
| GENERAL TOLERANCES (UNLESS SPECIFIED)   |        | EC NO: 743071          |         |        | APPLI-MATE 2.5 FEMALE (MATL: NYLON PA6)   |  |  |  |  |
| ANGULAR TOL   | ± 0.5° | DRWN: RAHULH3          |         |        |   |  |  |  |  |
| 4 PLACES  | ±      | CHK'D: RAHULH3         |         |        | PRODUCT CUSTOMER DRAWING  |  |  |  |  |
| 3 PLACES  | ± 0.05 | APPR: MRAMAKRISHNA     |         |        |   |  |  |  |  |
| 2 PLACES  | ± 0.1  | INITIAL REVISION:      |         |        | DOCUMENT NUMBER: 917160001<br>DOC TYPE: PSD<br>DOC PART: 000<br>REVISION: N4    |  |  |  |  |
| 1 PLACE   | ± 0.2  | DRWN: CFISHER01        |         |        |   |  |  |  |  |
| 0 PLACES  | ±      | APPR: BRUTTLE          |         |        | MATERIAL NUMBER: SEE TABLE<br>CUSTOMER: GENERAL MARKET<br>SHEET NUMBER: 6 OF 10 |  |  |  |  |
| DRAFT WHERE APPLICABLE MUST REMAIN WITHIN DIMENSIONS  |        | THIRD ANGLE PROJECTION | DRAWING | SERIES |   |  |  |  |  |
|   |        |                        | A2-SIZE | 91716  |   |  |  |  |  |

| 7 CIRCUIT   |              |                        |                |                       |               |               |              |                        |               |                           |
|-------------|--------------|------------------------|----------------|-----------------------|---------------|---------------|--------------|------------------------|---------------|---------------------------|
| PART NUMBER | HOUSING USED | TERMINAL VOID POSITION | LATCH POSITION | REMOVED POSITION KEYS | CONFIGURATION | FIRST ENDWALL | LAST ENDWALL | POLARIZING RIB BETWEEN | COLOUR STRIPE |                           |
| 91716-2001  | 91715-0007   | NONE                   | NONE           | NONE                  |               | OPEN          | OPEN         | NONE                   | NONE          |                           |
| 91716-2002  | 91715-0207   | NONE                   | NONE           | ALL                   |               | OPEN          | OPEN         | 2&3                    | NONE          |                           |
| 91716-2004  | 91715-0007   | NONE                   | NONE           | a                     |               | OPEN          | OPEN         | NONE                   | NONE          |                           |
| 91716-2005  | 91715-0007   | CCT 2                  | NONE           | h                     |               | OPEN          | OPEN         | NONE                   | NONE          |                           |
| 91716-2006  | 91715-0007   | CCT 4                  | NONE           | a                     |               | OPEN          | OPEN         | NONE                   | NONE          |                           |
| 91716-2007  | 91715-0007   | CCT 2                  | NONE           | NONE                  |               | OPEN          | OPEN         | NONE                   | NONE          |                           |
| 91716-2008  | 91715-0007   | CCT 6                  | NONE           | NONE                  |               | OPEN          | OPEN         | NONE                   | NONE          |                           |
| 91716-2009  | 91715-0007   | CCT 2                  | NONE           | b c e g               |               | OPEN          | OPEN         | NONE                   | BLUE          |                           |
| 91716-2010  | 91715-0007   | CCT 4,6                | NONE           | b d f                 |               | OPEN          | OPEN         | NONE                   | RED           |                           |
| 91716-2011  | 91715-0007   | CCT 4,6                | NONE           | b d f                 |               | OPEN          | OPEN         | NONE                   | BLUE          |                           |
| 91716-2012  | 91715-0007   | CCT 2                  | NONE           | NONE                  |               | OPEN          | OPEN         | NONE                   | BLUE          |                           |
| 91716-2013  | 91715-0007   | CCT 2                  | NONE           | b d e f h             |               | OPEN          | OPEN         | NONE                   | BLUE          |                           |
| 91716-2014  | 91715-0007   | CCT 4,6                | NONE           | NONE                  |               | OPEN          | OPEN         | NONE                   | BLUE          |                           |
| 91716-2015  | 91715-0007   | CCT 4,6                | NONE           | c d e f h             |               | OPEN          | OPEN         | NONE                   | BLUE          |                           |
| 91716-2016  | 91715-0007   | CCT 6                  | NONE           | c d e f h             |               | OPEN          | OPEN         | NONE                   | BLUE          |                           |
| 91716-2017  | 91715-0007   | CCT 6                  | NONE           | c d e f               |               | OPEN          | OPEN         | NONE                   | BLUE          |                           |
| 91716-2018  | 91715-0007   | CCT 6                  | NONE           | NONE                  |               | OPEN          | OPEN         | NONE                   | BLUE          |                           |
| 91716-2019  | 91715-0007   | CCT 2                  | NONE           | NONE                  |               | OPEN          | OPEN         | NONE                   | BLACK         |                           |
| 91716-2020  | 91715-0007   | NONE                   | NONE           | a c e f h             |               | OPEN          | OPEN         | NONE                   | NONE          |                           |
| 91716-2021  | 91715-0007   | NONE                   | NONE           | a                     |               | OPEN          | OPEN         | NONE                   | BLACK         |                           |
| 91716-2022  | 91715-0007   | NONE                   | NONE           | b c d f               |               | OPEN          | OPEN         | NONE                   | NONE          |                           |
| 91716-2023  | 91715-0007   | NONE                   | NONE           | a d                   |               | OPEN          | OPEN         | NONE                   | NONE          |                           |
| 91716-2024  | 91715-0007   | NONE                   | NONE           | a b e f               |               | OPEN          | OPEN         | NONE                   | NONE          |                           |
| 91716-2025  | 91715-0507   | NONE                   | NONE           | NONE                  |               | OPEN          | OPEN         | 5&6                    | NONE          |                           |
| 91716-2026  | 91715-0007   | NONE                   | NONE           | ALL                   |               | OPEN          | OPEN         | NONE                   | NONE          |                           |
| 91716-2027  | 91715-0007   | CCT 6                  | NONE           | a c d e f             |               | OPEN          | OPEN         | NONE                   | BLUE          |                           |
| 91716-2028  | 91715-0007   | CCT 1,2,3,4,6          | NONE           | a c f                 |               | OPEN          | OPEN         | NONE                   | NONE          |                           |
| 91716-2029  | 91715-0007   | CCT 4                  | NONE           | a                     |               | OPEN          | OPEN         | NONE                   | RED           |                           |
| 91716-2030  | 93473-0307   | NONE                   | NONE           | ALL                   |               | OPEN          | OPEN         | 3&4                    | NONE          | LOCKING RETENTION FEATURE |
| 91716-2031  | 91715-0307   | NONE                   | NONE           | ALL                   |               | OPEN          | OPEN         | 3&4                    | NONE          |                           |

| 7 CIRCUIT   |              |                        |                |                       |               |               |              |                        |               |                           |
|-------------|--------------|------------------------|----------------|-----------------------|---------------|---------------|--------------|------------------------|---------------|---------------------------|
| PART NUMBER | HOUSING USED | TERMINAL VOID POSITION | LATCH POSITION | REMOVED POSITION KEYS | CONFIGURATION | FIRST ENDWALL | LAST ENDWALL | POLARIZING RIB BETWEEN | COLOUR STRIPE |                           |
| 91716-2032  | 93473-0007   | NONE                   | NONE           | NONE                  |               | OPEN          | OPEN         | NONE                   | NONE          | LOCKING RETENTION FEATURE |
| 91716-2033  | 91715-0627   | NONE                   | NONE           | NONE                  |               | CLOSED        | CLOSED       | 6&7                    | NONE          |                           |
| 91716-2034  | 91715-0007   | NONE                   | NONE           | b c d e f g           |               | OPEN          | OPEN         | NONE                   | NONE          |                           |

N4  
N4

- NOTES
- + DENOTES TERMINAL VOIDED POSITION  
⊕ DENOTES TERMINAL LOADED POSITION  
| DENOTES POLARIZING RIB POSITION
  - MOLEX HOUSING NO. FOR REFERENCE ONLY

|   |  |                        |  |  |  |                |  |                 |  |                    |  |            |  |
|---|--|------------------------|--|--|--|----------------|--|-----------------|--|--------------------|--|------------|--|
| THIS DRAWING CONTAINS INFORMATION THAT IS PROPRIETARY TO MOLEX ELECTRONIC TECHNOLOGIES, LLC AND SHOULD NOT BE USED WITHOUT WRITTEN PERMISSION |  |                        |  |  |  |                |  |                 |  |                    |  |            |  |
| DIMENSION UNITS   |  | SCALE                  |  | CURRENT REV DESC:  |  |                |  |                 |  |                    |  |            |  |
| mm  |  | NTS                    |  |  |  |                |  |                 |  |                    |  |            |  |
| GENERAL TOLERANCES (UNLESS SPECIFIED)   |  |                        |  | <p><b>molex</b></p> <p>APPLI-MATE 2.5 FEMALE (MATL: NYLON PA6)</p> <p>PRODUCT CUSTOMER DRAWING</p> |  |                |  |                 |  |                    |  |            |  |
| ANGULAR TOL   |  | ± 0.5°                 |  |  |  |                |  |                 |  | EC NO: 743071      |  | 2023/03/21 |  |
| 4 PLACES  |  | ±                      |  |  |  |                |  |                 |  | DRWN: RAHULH3      |  | 2023/03/21 |  |
| 3 PLACES  |  | ± 0.05                 |  |  |  |                |  |                 |  | CHK'D: RAHULH3     |  | 2023/03/21 |  |
| 2 PLACES  |  | ± 0.1                  |  |  |  |                |  |                 |  | APPR: MRAMAKRISHNA |  | 2023/03/21 |  |
| 1 PLACE   |  | ± 0.2                  |  | INITIAL REVISION:  |  |                |  | DOCUMENT NUMBER |  |                    |  |            |  |
| 0 PLACES  |  | ±                      |  | DRWN: CFISHER01  |  | 2016/05/06     |  | 917160001       |  |                    |  |            |  |
| DRAFT WHERE APPLICABLE MUST REMAIN WITHIN DIMENSIONS  |  | THIRD ANGLE PROJECTION |  | DRAWING  |  | SERIES         |  | MATERIAL NUMBER |  |                    |  |            |  |
|   |  |                        |  | A2-SIZE  |  | 91716          |  | SEE TABLE       |  |                    |  |            |  |
|   |  |                        |  | CUSTOMER   |  | GENERAL MARKET |  | SHEET NUMBER    |  |                    |  |            |  |
|   |  |                        |  |  |  |                |  | 7 OF 10         |  |                    |  |            |  |

# 8 CIRCUIT

| PART NUMBER | HOUSING USED | TERMINAL VOID POSITION | LATCH POSITION | REMOVED POSITION KEYS | CONFIGURATION | FIRST ENDWALL | LAST ENDWALL | POLARIZING RIB BETWEEN | COLOUR STRIPE |
|-------------|--------------|------------------------|----------------|-----------------------|---------------|---------------|--------------|------------------------|---------------|
| 91716-2501  | 91715-0008   | NONE                   | NONE           | NONE                  |               | OPEN          | OPEN         | NONE                   | NONE          |
| 91716-2502  | 91715-0308   | NONE                   | NONE           | NONE                  |               | OPEN          | OPEN         | 3&4                    | NONE          |
| 91716-2503  | 91715-0008   | NONE                   | NONE           | cfhi                  |               | OPEN          | OPEN         | NONE                   | NONE          |
| 91716-2504  | 91715-0008   | NONE                   | NONE           | bcdhi                 |               | OPEN          | OPEN         | NONE                   | NONE          |
| 91716-2505  | 91715-0008   | NONE                   | NONE           | bcgh                  |               | OPEN          | OPEN         | NONE                   | BLUE          |
| 91716-2506  | 91715-0008   | NONE                   | NONE           | cf                    |               | OPEN          | OPEN         | NONE                   | NONE          |
| 91716-2507  | 91715-0008   | NONE                   | NONE           | cfhi                  |               | OPEN          | OPEN         | NONE                   | BLUE          |
| 91716-2508  | 91715-0008   | NONE                   | NONE           | NONE                  |               | OPEN          | OPEN         | NONE                   | BLUE          |
| 91716-2509  | 91715-0008   | NONE                   | NONE           | acdegi                |               | OPEN          | OPEN         | NONE                   | BLUE          |
| 91716-2510  | 91715-0008   | NONE                   | NONE           | cdef                  |               | OPEN          | OPEN         | NONE                   | BLUE          |
| 91716-2511  | 91715-0008   | NONE                   | NONE           | NONE                  |               | OPEN          | OPEN         | NONE                   | BLACK         |
| 91716-2512  | 91715-0008   | NONE                   | NONE           | cfhi                  |               | OPEN          | OPEN         | NONE                   | BLACK         |
| 91716-2513  | 91715-0008   | NONE                   | NONE           | cdgh                  |               | OPEN          | OPEN         | NONE                   | NONE          |
| 91716-2514  | 91715-0008   | NONE                   | NONE           | acdefghi              |               | OPEN          | OPEN         | NONE                   | BLUE          |
| 91716-2515  | 91715-0008   | NONE                   | NONE           | abdfhi                |               | OPEN          | OPEN         | NONE                   | NONE          |
| 91716-2516  | 91715-0008   | NONE                   | NONE           | bcdhi                 |               | OPEN          | OPEN         | NONE                   | BLUE          |
| 91716-2517  | 91715-2008   | NONE                   | NONE           | NONE                  |               | OPEN          | OPEN         | 1&2, 7&8               | NONE          |
| 91716-2518  | 91715-0008   | NONE                   | NONE           | bcdphi                |               | OPEN          | OPEN         | NONE                   | NONE          |
| 91716-2519  | 91715-0008   | NONE                   | NONE           | acephi                |               | OPEN          | OPEN         | NONE                   | NONE          |
| 91716-2520  | 91715-0008   | NONE                   | NONE           | ALL                   |               | OPEN          | OPEN         | NONE                   | NONE          |
| 91716-2521  | 91715-0008   | CCT 7 & 8              | NONE           | abdfhi                |               | OPEN          | OPEN         | NONE                   | NONE          |
| 91716-2522  | 91715-0008   | NONE                   | NONE           | bcdphi                |               | OPEN          | OPEN         | NONE                   | BLUE          |
| 91716-2523  | 91715-0008   | CCT 2, 4 & 6           | NONE           | acdefg                |               | OPEN          | OPEN         | NONE                   | NONE          |
| 91716-2524  | 91715-0068   | CCT 2, 4 & 6           | NONE           | acdefg                |               | CLOSED        | OPEN         | NONE                   | BROWN         |
| 91716-2525  | 91715-2108   | NONE                   | NONE           | ai                    |               | OPEN          | OPEN         | 1&2, 6&7               | NONE          |

# 9 CIRCUIT

| PART NUMBER | HOUSING USED | TERMINAL VOID POSITION | LATCH POSITION | REMOVED POSITION KEYS | CONFIGURATION | FIRST ENDWALL | LAST ENDWALL | POLARIZING RIB BETWEEN | COLOUR STRIPE |
|-------------|--------------|------------------------|----------------|-----------------------|---------------|---------------|--------------|------------------------|---------------|
| 91716-3001  | 91715-0009   | NONE                   | NONE           | NONE                  |               | OPEN          | OPEN         | NONE                   | NONE          |
| 91716-3002  | 91715-0409   | NONE                   | NONE           | NONE                  |               | OPEN          | OPEN         | 4&5                    | NONE          |
| 91716-3003  | 91715-0009   | CCT 2,5,8              | NONE           | NONE                  |               | OPEN          | OPEN         | NONE                   | NONE          |
| 91716-3004  | 91715-0209   | NONE                   | NONE           | NONE                  |               | OPEN          | OPEN         | 2&3                    | NONE          |
| 91716-3005  | 91715-0009   | CCT 2,5,8              | NONE           | bcegi j               |               | OPEN          | OPEN         | NONE                   | GREEN         |
| 91716-3006  | 91715-0009   | CCT 2,5,8              | NONE           | NONE                  |               | OPEN          | OPEN         | NONE                   | GREEN         |
| 91716-3007  | 91715-0009   | CCT 2,5,8              | NONE           | bcefgij               |               | OPEN          | OPEN         | NONE                   | GREEN         |
| 91716-3008  | 91715-0009   | CCT 2,5,8              | NONE           | bcefgi                |               | OPEN          | OPEN         | NONE                   | GREEN         |
| 91716-3009  | 91715-0009   | CCT 2,5,7              | NONE           | cg                    |               | OPEN          | OPEN         | NONE                   | NONE          |
| 91716-3010  | 91715-0009   | CCT 2,5,8              | NONE           | bchi                  |               | OPEN          | OPEN         | NONE                   | NONE          |
| 91716-3011  | 91715-0709   | NONE                   | NONE           | NONE                  |               | OPEN          | OPEN         | 7&8                    | NONE          |
| 91716-3012  | 91715-0509   | NONE                   | NONE           | NONE                  |               | OPEN          | OPEN         | 5&6                    | NONE          |
| 91716-3013  | 91715-0029   | NONE                   | NONE           | NONE                  |               | CLOSED        | CLOSED       | NONE                   | NONE          |

### NOTES

- + DENOTES TERMINAL VOIDED POSITION  
⊕ DENOTES TERMINAL LOADED POSITION  
| DENOTES POLARIZING RIB POSITION
- MOLEX HOUSING NO. FOR REFERENCE ONLY

THIS DRAWING CONTAINS INFORMATION THAT IS PROPRIETARY TO MOLEX ELECTRONIC TECHNOLOGIES, LLC AND SHOULD NOT BE USED WITHOUT WRITTEN PERMISSION

|  |        |                        |   |                          |                 |                |              |
|--|--------|------------------------|---|--------------------------|-----------------|----------------|--------------|
| DIMENSION UNITS                                      | SCALE  | CURRENT REV DESC:      |   |                          |                 |                |              |
| mm   | NTS    |                        |   |                          |                 |                |              |
| GENERAL TOLERANCES (UNLESS SPECIFIED)                |        |                        | APPLI-MATE 2.5 FEMALE (MATL: NYLON PA6) |                          |                 |                |              |
| ANGULAR TOL  | ± 0.5° | EC NO: 743071          |   |                          |                 |                |              |
| 4 PLACES   | ±      | DRWN: RAHULH3          | 2023/03/21                              | PRODUCT CUSTOMER DRAWING |                 |                |              |
| 3 PLACES   | ± 0.05 | CHK'D: RAHULH3         | 2023/03/21                              |                          |                 |                |              |
| 2 PLACES   | ± 0.1  | APPR: MRAMAKRISHNA     | 2023/03/21                              |                          |                 |                |              |
| 1 PLACE  | ± 0.2  | INITIAL REVISION:      | DOCUMENT NUMBER<br><b>917160001</b>     |                          | DOC TYPE        | DOC PART       | REVISION     |
| 0 PLACES   | ±      | DRWN: CFISHER01        |   |                          | 2016/05/06      | PSD            | 000          |
| DRAFT WHERE APPLICABLE MUST REMAIN WITHIN DIMENSIONS |        | THIRD ANGLE PROJECTION | DRAWING                                 | SERIES                   | MATERIAL NUMBER | CUSTOMER       | SHEET NUMBER |
|  |        |                        | A2-SIZE                                 | 91716                    | SEE TABLE       | GENERAL MARKET | 8 OF 10      |



### 10 CIRCUIT

| PART NUMBER | HOUSING USED | TERMINAL VOID POSITION | LATCH POSITION | REMOVED POSITION KEYS | CONFIGURATION | FIRST ENDWALL | LAST ENDWALL | POLARIZING RIB BETWEEN | COLOUR STRIPE |
|-------------|--------------|------------------------|----------------|-----------------------|---------------|---------------|--------------|------------------------|---------------|
| 91716-3501  | 91715-0010   | NONE                   | NONE           | NONE                  |               | OPEN          | OPEN         | NONE                   | NONE          |
| 91716-3502  | 91715-0210   | NONE                   | NONE           | ALL                   |               | OPEN          | OPEN         | 2&3                    | NONE          |
| 91716-3503  | 91715-0010   | Cct 2,5,7,9            | NONE           | NONE                  |               | OPEN          | OPEN         | NONE                   | NONE          |
| 91716-3504  | 91715-0410   | NONE                   | NONE           | NONE                  |               | OPEN          | OPEN         | 4&5                    | NONE          |
| 91716-3505  | 91715-0010   | NONE                   | NONE           | b c d e f g h i j     |               | OPEN          | OPEN         | NONE                   | NONE          |
| 91716-3506  | 91715-0010   | NONE                   | NONE           | a                     |               | OPEN          | OPEN         | NONE                   | NONE          |

### 11 CIRCUIT

| PART NUMBER | HOUSING USED | TERMINAL VOID POSITION | LATCH POSITION | REMOVED POSITION KEYS | CONFIGURATION | FIRST ENDWALL | LAST ENDWALL | POLARIZING RIB BETWEEN | COLOUR STRIPE |
|-------------|--------------|------------------------|----------------|-----------------------|---------------|---------------|--------------|------------------------|---------------|
| 91716-4001  | 91715-0011   | NONE                   | NONE           | NONE                  |               | OPEN          | OPEN         | NONE                   | NONE          |
| 91716-4002  | 91715-0031   | NONE                   | NONE           | NONE                  |               | CLOSED        | CLOSED       | NONE                   | NONE          |
| 91716-4003  | 91715-0511   | NONE                   | NONE           | NONE                  |               | OPEN          | OPEN         | 5&6                    | NONE          |
| 91716-4004  | 91715-1031   | NONE                   | NONE           | NONE                  |               | CLOSED        | CLOSED       | 10&11                  | NONE          |
| 91716-4005  | 91715-1011   | NONE                   | NONE           | NONE                  |               | OPEN          | OPEN         | 10&11                  | NONE          |
| 91716-4006  | 91715-0011   | CCT 5,6,7              | NONE           | NONE                  |               | OPEN          | OPEN         | NONE                   | NONE          |
| 91716-4007  | 91715-0011   | CCT 5,6,7              | NONE           | a d e f h i j l       |               | OPEN          | OPEN         | NONE                   | NONE          |
| 91716-4008  | 91715-0011   | CCT 5,6,7              | NONE           | a b e f g i j k       |               | OPEN          | OPEN         | NONE                   | NONE          |
| 91716-4009  | 91715-0011   | NONE                   | NONE           | b c d e f g h i j k   |               | OPEN          | OPEN         | NONE                   | NONE          |

### 12 CIRCUIT

| PART NUMBER | HOUSING USED | TERMINAL VOID POSITION | LATCH POSITION | REMOVED POSITION KEYS | CONFIGURATION | FIRST ENDWALL | LAST ENDWALL | POLARIZING RIB BETWEEN | COLOUR STRIPE |
|-------------|--------------|------------------------|----------------|-----------------------|---------------|---------------|--------------|------------------------|---------------|
| 91716-4501  | 91715-0012   | NONE                   | NONE           | NONE                  |               | OPEN          | OPEN         | NONE                   | NONE          |
| 91716-4502  | 91715-0012   | CCT 2,5,8,11           | NONE           | b c d e j k l         |               | OPEN          | OPEN         | NONE                   | GREEN         |
| 91716-4503  | 91715-0012   | CCT 2,5,8,11           | NONE           | NONE                  |               | OPEN          | OPEN         | NONE                   | GREEN         |
| 91716-4504  | 91715-0012   | CCT 2,5,8,11           | NONE           | a c d e g h i k l m   |               | OPEN          | OPEN         | NONE                   | GREEN         |
| 91716-4505  | 91715-0012   | CCT 2,5,8,11           | NONE           | c d e g h i k l m     |               | OPEN          | OPEN         | NONE                   | GREEN         |

#### NOTES

- + DENOTES TERMINAL VOIDED POSITION  
⊕ DENOTES TERMINAL LOADED POSITION  
| DENOTES POLARIZING RIB POSITION
- MOLEX HOUSING NO. FOR REFERENCE ONLY

### 13 CIRCUIT

| PART NUMBER | HOUSING USED | TERMINAL VOID POSITION | LATCH POSITION | REMOVED POSITION KEYS | CONFIGURATION | FIRST ENDWALL | LAST ENDWALL | POLARIZING RIB BETWEEN | COLOUR STRIPE |
|-------------|--------------|------------------------|----------------|-----------------------|---------------|---------------|--------------|------------------------|---------------|
| 91716-5001  | 91715-0013   | NONE                   | NONE           | NONE                  |               | OPEN          | OPEN         | NONE                   | NONE          |
| 91716-5002  | 91715-0013   | CCT 4,6,8,10,12        | NONE           | NONE                  |               | OPEN          | OPEN         | NONE                   | NONE          |
| 91716-5003  | 91715-0013   | NONE                   | NONE           | c f h i k l           |               | OPEN          | OPEN         | NONE                   | NONE          |

### 14 CIRCUIT

| PART NUMBER | HOUSING USED | TERMINAL VOID POSITION | LATCH POSITION | REMOVED POSITION KEYS | CONFIGURATION | FIRST ENDWALL | LAST ENDWALL | POLARIZING RIB BETWEEN | COLOUR STRIPE |
|-------------|--------------|------------------------|----------------|-----------------------|---------------|---------------|--------------|------------------------|---------------|
| 91716-5501  | 91715-0014   | NONE                   | NONE           | NONE                  |               | OPEN          | OPEN         | NONE                   | NONE          |

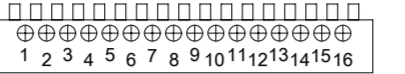
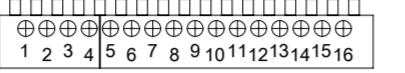
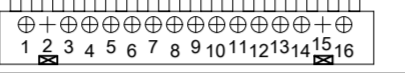
### 15 CIRCUIT

| PART NUMBER | HOUSING USED | TERMINAL VOID POSITION | LATCH POSITION | REMOVED POSITION KEYS | CONFIGURATION | FIRST ENDWALL | LAST ENDWALL | POLARIZING RIB BETWEEN | COLOUR STRIPE |
|-------------|--------------|------------------------|----------------|-----------------------|---------------|---------------|--------------|------------------------|---------------|
| 91716-6001  | 91715-0015   | NONE                   | NONE           | NONE                  |               | OPEN          | OPEN         | NONE                   | NONE          |
| 91716-6002  | 91715-0015   | CCT 4,6,8,10,12,14     | NONE           | o p                   |               | OPEN          | OPEN         | NONE                   | NONE          |
| 91716-6003  | 91715-0515   | NONE                   | NONE           | a p                   |               | OPEN          | OPEN         | 5&6                    | NONE          |

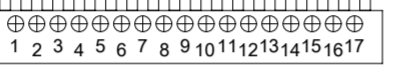
THIS DRAWING CONTAINS INFORMATION THAT IS PROPRIETARY TO MOLEX ELECTRONIC TECHNOLOGIES, LLC AND SHOULD NOT BE USED WITHOUT WRITTEN PERMISSION

|  |        |                               |         |   |                 |                |              |
|--|--------|-------------------------------|---------|---|-----------------|----------------|--------------|
| DIMENSION UNITS                                      | SCALE  | CURRENT REV DESC:             |         |   |                 |                |              |
| mm   | NTS    |                               |         |   |                 |                |              |
| GENERAL TOLERANCES (UNLESS SPECIFIED)                |        |                               |         | APPLI-MATE 2.5 FEMALE (MATL: NYLON PA6)<br><br>PRODUCT CUSTOMER DRAWING<br><br>DOCUMENT NUMBER: <b>917160001</b>   DOC TYPE: PSD   DOC PART: 000   REVISION: <b>N4</b><br><br>MATERIAL NUMBER: SEE TABLE   CUSTOMER: GENERAL MARKET   SHEET NUMBER: 9 OF 10 |                 |                |              |
| ANGULAR TOL  | ± 0.5° | EC NO: 743071                 |         |   |                 |                |              |
| 4 PLACES   | ±      | DRWN: RAHULH3 2023/03/21      |         |   |                 |                |              |
| 3 PLACES   | ± 0.05 | CHK'D: RAHULH3 2023/03/21     |         |   |                 |                |              |
| 2 PLACES   | ± 0.1  | APPR: MRAMAKRISHNA 2023/03/21 |         |   |                 |                |              |
| 1 PLACE  | ± 0.2  | INITIAL REVISION:             |         |   |                 |                |              |
| 0 PLACES   | ±      | DRWN: CFISHER01 2016/05/06    |         |   |                 |                |              |
| DRAFT WHERE APPLICABLE MUST REMAIN WITHIN DIMENSIONS |        | THIRD ANGLE PROJECTION        | DRAWING | SERIES  | MATERIAL NUMBER | CUSTOMER       | SHEET NUMBER |
|  |        |                               | A2-SIZE | 91716   | SEE TABLE       | GENERAL MARKET | 9 OF 10      |

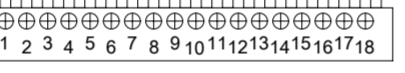
### 16 CIRCUIT

| PART NUMBER | HOUSING USED | TERMINAL VOID POITION | LATCH POSITION | REMOVED POSITION KEYS | CONFIGURATION  | FIRST ENDWALL | LAST ENDWALL | POLARIZING RIB BETWEEN | COLOUR STRIPE |
|-------------|--------------|-----------------------|----------------|-----------------------|--|---------------|--------------|------------------------|---------------|
| 91716-6501  | 91715-0016   | NONE                  | NONE           | NONE                  |  | OPEN          | OPEN         | NONE                   | NONE          |
| 91716-6502  | 91715-0416   | NONE                  | NONE           | NONE                  |  | OPEN          | OPEN         | 4&5                    | NONE          |
| 91716-6503  | 91715-7076   | CCT 2 & 15            | CCT 2 & 15     | NONE                  |  | CLOSED        | OPEN         | NONE                   | NONE          |

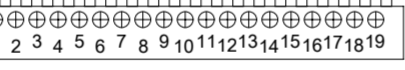
### 17 CIRCUIT

| PART NUMBER | HOUSING USED | TERMINAL VOID POITION | LATCH POSITION | REMOVED POSITION KEYS | CONFIGURATION  | FIRST ENDWALL | LAST ENDWALL | POLARIZING RIB BETWEEN | COLOUR STRIPE |
|-------------|--------------|-----------------------|----------------|-----------------------|--|---------------|--------------|------------------------|---------------|
| 91716-7001  | 91715-0017   | NONE                  | NONE           | NONE                  |  | OPEN          | OPEN         | NONE                   | NONE          |

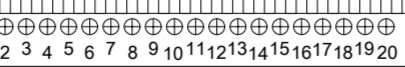
### 18 CIRCUIT

| PART NUMBER | HOUSING USED | TERMINAL VOID POITION | LATCH POSITION | REMOVED POSITION KEYS | CONFIGURATION   | FIRST ENDWALL | LAST ENDWALL | POLARIZING RIB BETWEEN | COLOUR STRIPE |
|-------------|--------------|-----------------------|----------------|-----------------------|---|---------------|--------------|------------------------|---------------|
| 91716-7501  | 91715-0018   | NONE                  | NONE           | NONE                  |  | OPEN          | OPEN         | NONE                   | NONE          |

### 19 CIRCUIT


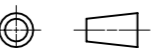
| PART NUMBER | HOUSING USED | TERMINAL VOID POITION | LATCH POSITION | REMOVED POSITION KEYS | CONFIGURATION  | FIRST ENDWALL | LAST ENDWALL | POLARIZING RIB BETWEEN | COLOUR STRIPE |
|-------------|--------------|-----------------------|----------------|-----------------------|--|---------------|--------------|------------------------|---------------|
| 91716-8001  | 91715-0019   | NONE                  | NONE           | NONE                  |  | OPEN          | OPEN         | NONE                   | NONE          |

### 20 CIRCUIT

| PART NUMBER | HOUSING USED | TERMINAL VOID POITION | LATCH POSITION | REMOVED POSITION KEYS | CONFIGURATION  | FIRST ENDWALL | LAST ENDWALL | POLARIZING RIB BETWEEN | COLOUR STRIPE |
|-------------|--------------|-----------------------|----------------|-----------------------|--|---------------|--------------|------------------------|---------------|
| 91716-8501  | 91715-0020   | NONE                  | NONE           | NONE                  |  | OPEN          | OPEN         | NONE                   | NONE          |

#### NOTES

- + DENOTES TERMINAL VOIDED POSITION  
⊕ DENOTES TERMINAL LOADED POSITION  
| DENOTES POLARIZING RIB POSITION
- MOLEX HOUSING NO. FOR REFERENCE ONLY

|   |       |   |  |         |   |                 |  |                |  |
|---|-------|---|--|---------|---|-----------------|--|----------------|--|
| THIS DRAWING CONTAINS INFORMATION THAT IS PROPRIETARY TO MOLEX ELECTRONIC TECHNOLOGIES, LLC AND SHOULD NOT BE USED WITHOUT WRITTEN PERMISSION |       |   |  |         |   |                 |  |                |  |
| DIMENSION UNITS   | SCALE | CURRENT REV DESC:   |  |         | <br>APPLI-MATE 2.5 FEMALE<br>(MATL: NYLON PA6) |                 |  |                |  |
| mm  | NTS   |   |  |         |   |                 |  |                |  |
| GENERAL TOLERANCES (UNLESS SPECIFIED)   |       | EC NO: 743071   |  |         | PRODUCT CUSTOMER DRAWING<br>DOCUMENT NUMBER: <b>917160001</b><br>DOC TYPE: PSD   DOC PART: 000   REVISION: N4                       |                 |  |                |  |
| ANGULAR TOL ± 0.5°  |       | DRWN: RAHULH3 2023/03/21  |  |         |   |                 |  |                |  |
| 4 PLACES ±  |       | CHK'D: RAHULH3 2023/03/21   |  |         | MATERIAL NUMBER: SEE TABLE   CUSTOMER: GENERAL MARKET   SHEET NUMBER: 10 OF 10  |                 |  |                |  |
| 3 PLACES ± 0.05   |       | APPR: MRAMAKRISHNA 2023/03/21   |  |         |   |                 |  |                |  |
| 2 PLACES ± 0.1  |       | INITIAL REVISION:   |  |         | INITIAL REVISION:<br>DRWN: CFISHER01 2016/05/06<br>APPR: BRUTTLE 2016/07/01   |                 |  |                |  |
| 1 PLACE ± 0.2   |       |   |  |         |   |                 |  |                |  |
| 0 PLACES ±  |       |   |  |         |   |                 |  |                |  |
| DRAFT WHERE APPLICABLE MUST REMAIN WITHIN DIMENSIONS  |       | THIRD ANGLE PROJECTION  |  | DRAWING | SERIES  | MATERIAL NUMBER |  | CUSTOMER       |  |
|   |       |  |  | A2-SIZE | 91716   | SEE TABLE       |  | GENERAL MARKET |  |

|                 |    |              |            |          |
|-----------------|----|--------------|------------|----------|
| DOCUMENT STATUS | P1 | RELEASE DATE | 2023/03/21 | 09:38:20 |
|-----------------|----|--------------|------------|----------|