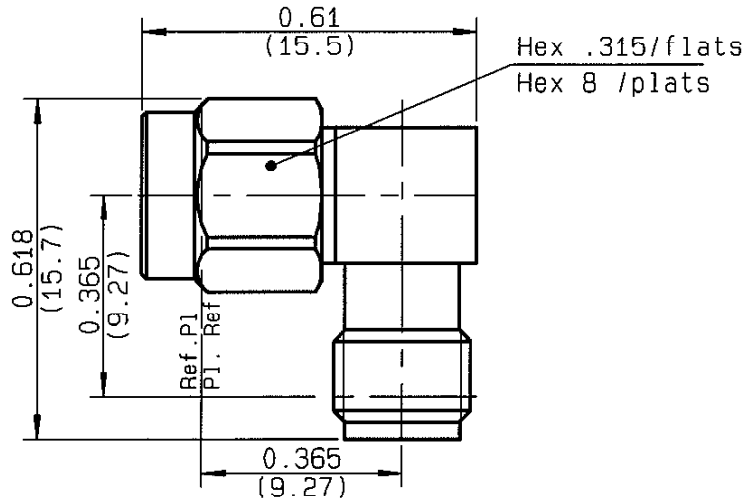


RIGHT ANGLE MALE - FEMALE ADAPTOR	R125.771.000
	SERIES SMA



NOMINAL IMPEDANCE	50 Ω
FREQUENCY RANGE	0-18 GHz
TEMPERATURE RATING	-65/+165 °C
V.S.W.R	1.10 + .006 x F(GHz)Maxi
RF LEAKAGE	- (100 - F(GHz)) dB Maxi
RF INSERTION LOSS	0.07 √F(GHz) dB Maxi
VOLTAGE RATING	500 Veff Maxi
DIELECTRIC WITHSTANDING VOLTAGE	1000 Veff Mini
INSULATION RESISTANCE	5000 MΩMini
HERMETIC SEAL	NA Atm.cm ³ /s
LEAKAGE (pressurized only)	NA
MECHANICAL DURABILITY	500 Cycles
WEIGHT	gr
SPECIFICATION	

CABLES :	
OTHERS CHARACTERISTICS	
CABLE RETENTION	NA N Mini
CENTER CONTACT RETENTION	
Axial force - mating end	27 N Mini
Axial force - opposite end	27 N Mini
Torque	NA cm.N Mini
RECOMMENDED TORQUES	
Mating	110 cm.N
Panel nut	NA cm.N
Clamp nut	NA cm.N

CONNECTOR PARTS	MATERIALS	FINISH <small>(all values are given in micrometers)</small>
BODY	STAINLESS STEEL	GOLD 0.5 OVER NICKEL 2
OUTER CONTACT		
CENTER CONTACT	BERYLLIUM COPPER	GOLD 0.5 OVER NICKEL 2
INSULATOR	PTFE	-
GASKET	SILICONE RUBBER	-
OTHERS PIECES	STAINLESS STEEL	GOLD 0.5 OVER NICKEL 2

AGRI0005

ISSUE 0732.Q04	CREATION DATE 14/03/1991	FILE PART-NUMBER
--------------------------	------------------------------------	------------------



The information given here is subject to change without notice. Design changes may be in order to improve the product.

Connect to the future