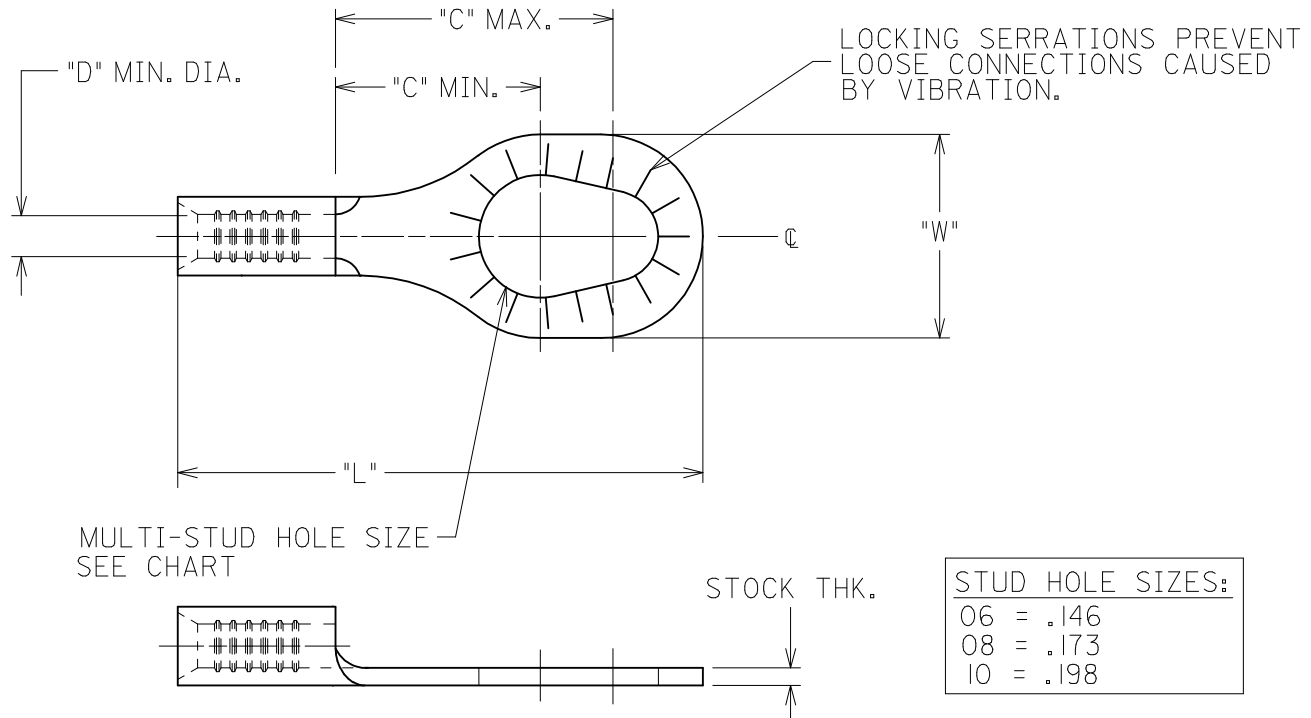


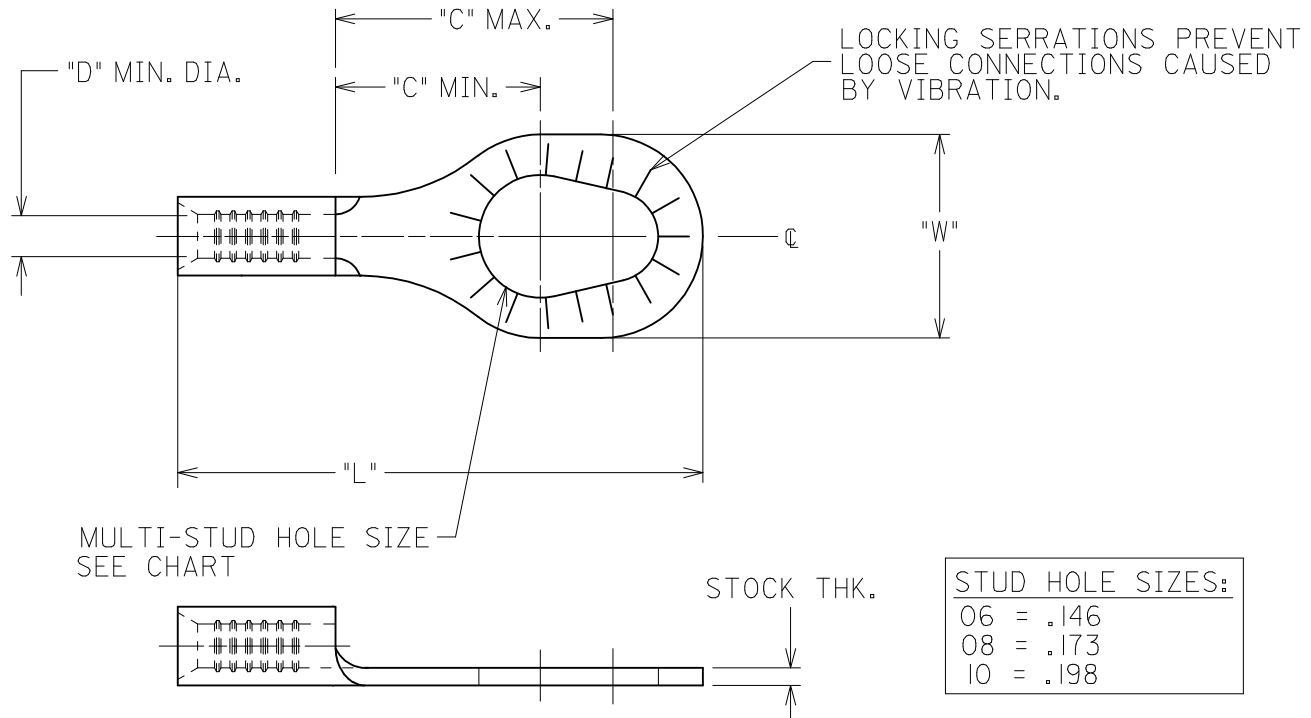
LOOSE PIECE		TAPE MOUNTED		WIRE RANGE (AWG)	"L" MAX.	"W" MAX.	"C" MIN.	"C" MAX.	"D" MIN.	STUD SIZE RANGE FOR EA. PART No.	STOCK THICKNESS
MATERIAL NUMBER	ENG NUMBER	MATERIAL NUMBER	ENG NUMBER								
190790004	A-1006-MS	190790005	A-1006-MST	22-18	.866	.348	.330	.447	.062	6, 8, 10	.028
190790007	B-1006-MS	190790009	B-1006-MST	16-14	.866	.362	.330	.447	.081	6, 8, 10	.031
190790011	C-1006-MS	190790012	C-1006-MST	12-10	.890	.410	.330	.447	.128	6, 8, 10	.040



NOTES:  
 1. MATERIAL: COPPER  
 2. PLATING: TIN  
 3. PART IS RoHS COMPLIANT.

REDRAWN/RELEASED EC NO: IFC2017-0590 DRAWING: G0JAS01 2016/12/14 CHKD: JMACNEIL 2016/12/14 APPR: JMACNEIL 2016/12/16	DESCRIPTION A	QUALITY SYMBOLS ▽=0 ▽7=0	GENERAL TOLERANCES (UNLESS SPECIFIED) <table border="1"> <thead> <tr> <th></th> <th>mm</th> <th>INCH</th> </tr> </thead> <tbody> <tr> <td>4 PLACES</td> <td>± ---</td> <td>± ---</td> </tr> <tr> <td>3 PLACES</td> <td>± ---</td> <td>± ---</td> </tr> <tr> <td>2 PLACES</td> <td>± ---</td> <td>± ---</td> </tr> <tr> <td>1 PLACE</td> <td>± ---</td> <td>± ---</td> </tr> <tr> <td>0 PLACE</td> <td>±</td> <td>±</td> </tr> </tbody> </table>		mm	INCH	4 PLACES	± ---	± ---	3 PLACES	± ---	± ---	2 PLACES	± ---	± ---	1 PLACE	± ---	± ---	0 PLACE	±	±	DIMENSION STYLE INCH ONLY DRAWN BY: EMF DATE: 1993/08/09 CHECKED BY: JMACNEIL DATE: 2016/12/14 APPROVED BY: JMACNEIL DATE: 2016/12/16	SCALE: --- DESIGN UNITS: INCH THIRD ANGLE PROJECTION	TITLE: KRIMPTITE, MULTI-STUD RING TONGUE TERMINAL
			mm	INCH																				
		4 PLACES	± ---	± ---																				
		3 PLACES	± ---	± ---																				
2 PLACES	± ---	± ---																						
1 PLACE	± ---	± ---																						
0 PLACE	±	±																						
ANGULAR ± --- ° DRAFT WHERE APPLICABLE MUST REMAIN WITHIN DIMENSIONS			MATERIAL NO. SEE CHART	DOCUMENT NO. SD-19079-001	SHEET NO. 1 OF 1																			
THIS DRAWING CONTAINS INFORMATION THAT IS PROPRIETARY TO MOLEX INCORPORATED AND SHOULD NOT BE USED WITHOUT WRITTEN PERMISSION																								

10		9		8		7		6		5		4		3		2	
LOOSE PIECE				TAPE MOUNTED				WIRE RANGE (AWG)	"L" MAX.	"W" MAX.	"C" MIN.	"C" MAX.	"D" MIN.	STUD SIZE RANGE FOR EA. PART No.	STOCK THICKNESS		
MATERIAL NUMBER	ENG NUMBER	MATERIAL NUMBER	ENG NUMBER														
190790004	A-1006-MS	190790005	A-1006-MST	22-18	.866	.348	.330	.447	.062	6, 8, 10	.028						
190790007	B-1006-MS	190790009	B-1006-MST	16-14	.866	.362	.330	.447	.081	6, 8, 10	.031						
190790011	C-1006-MS	190790012	C-1006-MST	12-10	.890	.410	.330	.447	.128	6, 8, 10	.040						



- NOTES:
1. MATERIAL: COPPER
  2. PLATING: TIN
  3. PART IS RoHS COMPLIANT.

REDRAWN/RELEASED EC NO: IFC2017-0590 DRAWING: G0JAS01 2016/12/14 CHKD: JMACNEIL 2016/12/14 APPR: JMACNEIL 2016/12/16	DESCRIPTION A	QUALITY SYMBOLS	GENERAL TOLERANCES (UNLESS SPECIFIED)	DIMENSION STYLE INCH ONLY		SCALE ---	DESIGN UNITS INCH	THIRD ANGLE PROJECTION
		▽=0	4 PLACES ± ---	mm	INCH	DRAWN BY EMF	DATE 1993/08/09	TITLE KRIMPTITE, MULTI-STUD RING TONGUE TERMINAL
		▽=0	3 PLACES ± ---	ANGULAR ± ---°		CHECKED BY JMACNEIL	DATE 2016/12/14	
			2 PLACES ± ---	DRAFT WHERE APPLICABLE MUST REMAIN WITHIN DIMENSIONS		APPROVED BY	DATE 2016/12/16	
	1 PLACE ± ---	MATERIAL NO. SEE CHART		DOCUMENT NO. SD-19079-001				
	0 PLACE ±			SIZE B	THIS DRAWING CONTAINS INFORMATION THAT IS PROPRIETARY TO MOLEX INCORPORATED AND SHOULD NOT BE USED WITHOUT WRITTEN PERMISSION			