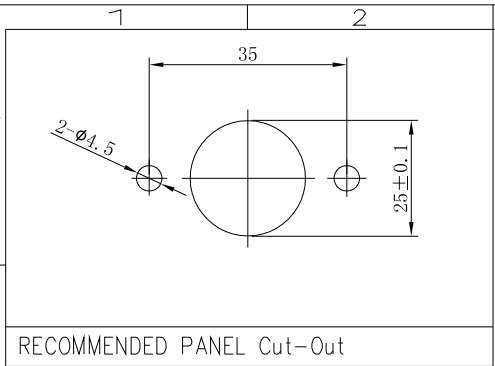
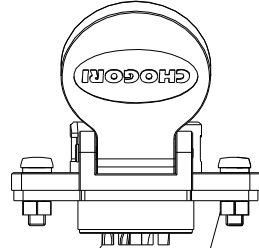
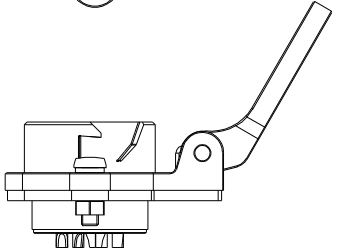
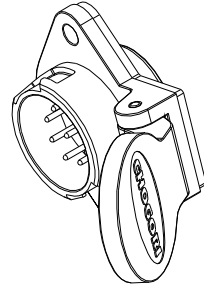
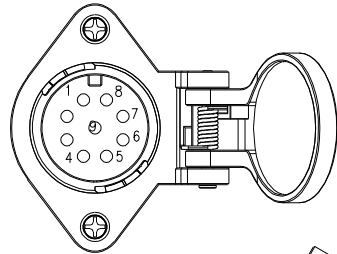


THIS INFORMATION IS CONFIDENTIAL AND IS DISCLOSED TO YOU ON CONDITION THAT NO FURTHER DISCLOSURE IS MADE BY YOU TO OTHER THAN CHOGORI PERSONNEL WITHOUT AUTHORIZATION FROM CHOGORI CORP.

REV.	ECN NO.	DESCRIPTION	SIGN	DATE
C1	N/A	INITIAL DRAWING	Liu	2020/05/20



RECOMMENDED PANEL Cut-Out

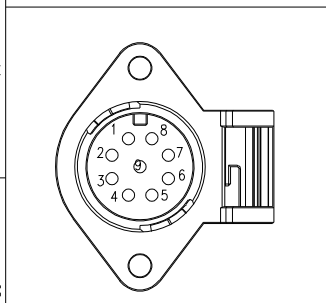


Connector Male Pin

Screw
Washer
Nut
Gasket

- Specification:
- 1.Operation Temperature: -45°C~105°C.
 - 2.Insulation Resistance: 100MΩ at DC500V.
 - 3.Contact Resistance: <10mΩ.
 - 4.Withstand Voltage: 1500V AC
 - 5.Operating Current: 5A
 - 6.Operating Voltage: AC 125V
 - 7.Waterproof Rate: IP67 (Mated)
 - 8.Housing: Nylon, Black
 - 9.Male Pin: Copper Alloy, Gold Plated
 - 10.Gasket: Silicon Gray
 - 11.RoHS Compliant.
 - 12.Mating Cap P/N: 806-00058-00

22XXX536-0X
Pin Number



2 Pin
P/N: 24009536-02
Pin Assignments Front View

UNIT:mm		DESCRIPTION	Large Series Push Lock Female socket With Male Pin	
TOLERANCE	.X ±0.25 .XX ±0.15 .XXX ±0.05 ANGLES ±1°	SCALE	1:1	SHEET 1 OF 1
REV.	C1	SIZE	A4	* :Inspection Item

CHOGORI

PART NO	24009536-02	DRAWN BY	Liu	DATE	2020/05/20
DWG NO		CHECKED BY	Mo	DATE	2020/05/20
CUSTOMER		APPROVED BY	Adley	DATE	2020/05/20