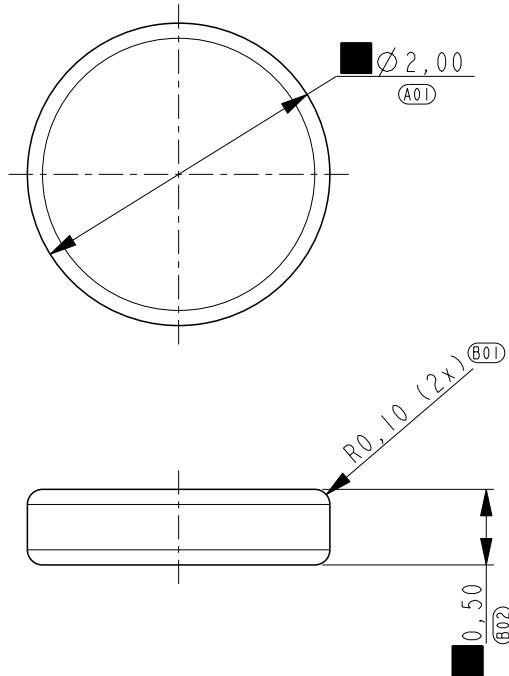
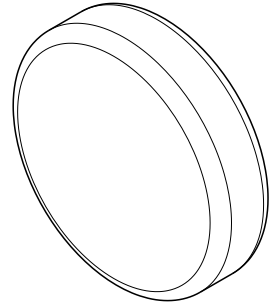


LOC	DIST	REVISIONS					
H	-	P	LTR	DESCRIPTION	DATE	DWN	APVD
			A	ECR-11-016509	25AUG2011	JvH	DH



NOTES:

- 1 PLATING: GOLD 0,1µm MIN. (SPEC. 112-162-5) ALL OVER
OVER 1,2µm MIN. NICKEL (SPEC. 112-25-2) ALL OVER.
- 2 = CRITICAL DIMENSION

20
RELEASED FOR PUBLICATION

ALL RIGHTS RESERVED.

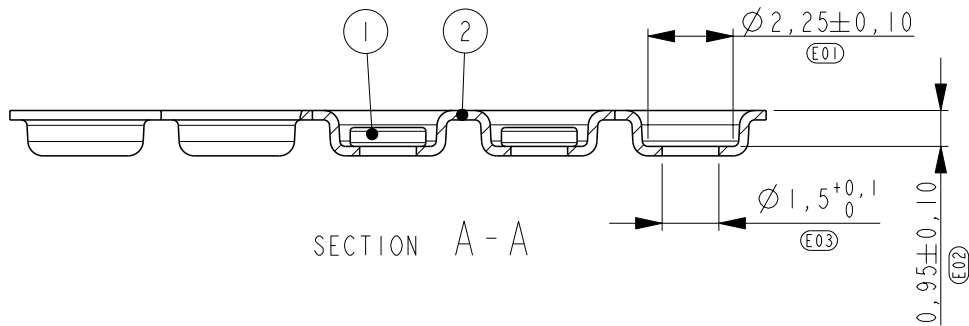
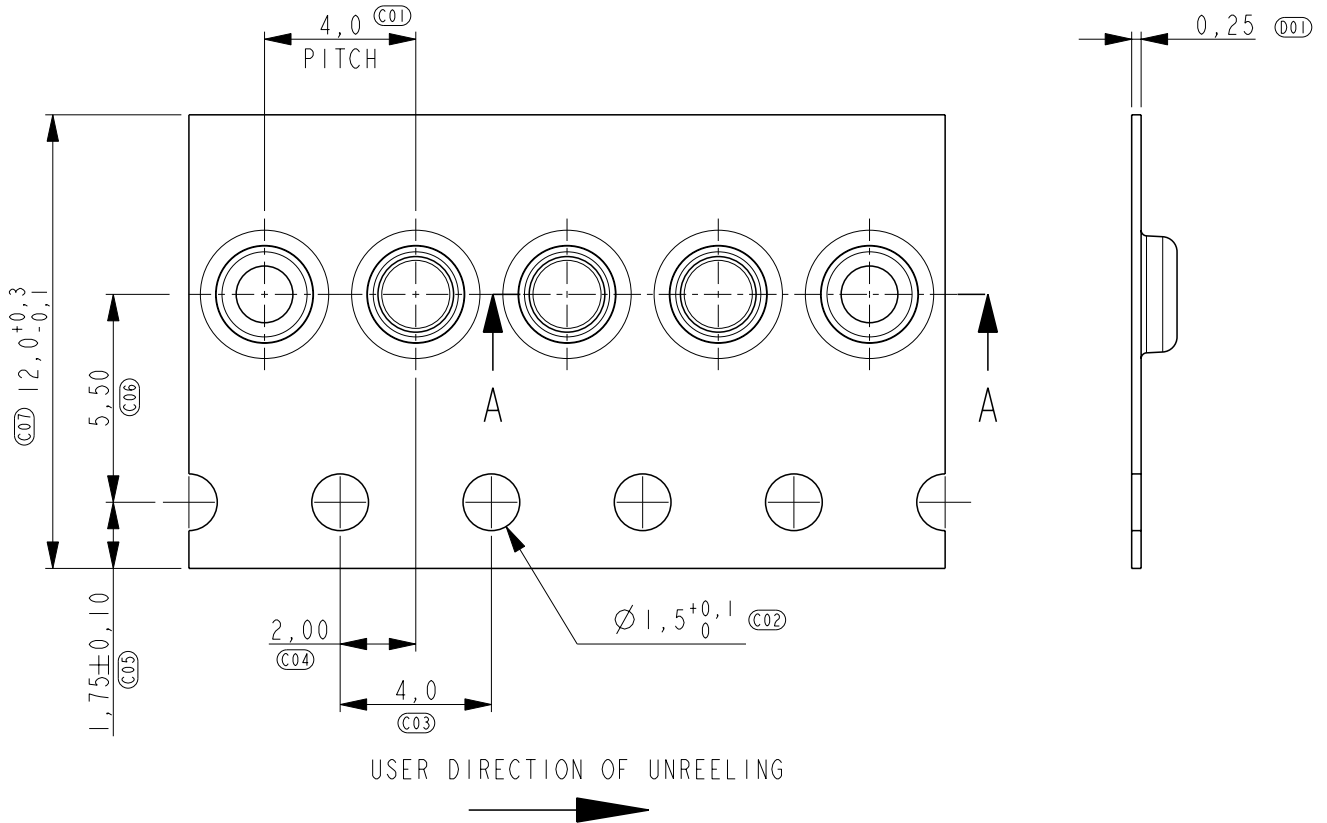
THIS DRAWING IS UNPUBLISHED.

BY -

© COPYRIGHT 20

1551962-3		SPACER		COPPER ALLOY				
PART NUMBER		DESCRIPTION		MATERIAL		FINISH		
DIMENSIONS: mm		DWN J. van Hoek 15DEC2010	MATERIAL -		FINISH -			
TOLERANCES UNLESS OTHERWISE SPECIFIED:		CHK T. Valkenburg 15DEC2010	TE Connectivity					
0 PLC ±0,2 1 PLC ±0,1 2 PLC ±0,05 3 PLC ±0,025 4 PLC ±0,005 ANGLES ±2°		APVD D. Halberstadt 15DEC2010						
PRODUCT SPEC 108-19415		NAME SPACER PAD 0,5mm						
APPLICATION SPEC -		SIZE A 4	CAGE CODE 00779	DRAWING NO C-1551962		RESTRICTED TO -		
WEIGHT -		CUSTOMER DRAWING				SCALE 20:1	SHEET 1 OF 2	REV A

LOC	DIST	REVISIONS					
H	-	P	LTR	DESCRIPTION	DATE	DWN	APVD
		-		SEE SHEET 1	-	-	-



20

RELEASED FOR PUBLICATION

ALL RIGHTS RESERVED.

THIS DRAWING IS UNPUBLISHED.

BY -

© COPYRIGHT 20

2	EMBOSSED CARRIER TAPE
1	SPACER
ITEM NO.	DESCRIPTION

DIMENSIONS:	
mm	
TOLERANCES UNLESS OTHERWISE SPECIFIED:	
0 PLC	±0,2
1 PLC	±0,1
2 PLC	±0,05
3 PLC	±0,025
4 PLC	±0,005
ANGLES	±2°

DWN	J. van Hoek	15DEC2010
CHK	T. Valkenburg	15DEC2010
APVD	D. Halberstadt	15DEC2010
PRODUCT SPEC	108-19415	
APPLICATION SPEC	-	
WEIGHT	-	
CUSTOMER DRAWING		

MATERIAL	-		FINISH	-
TE Connectivity				
NAME				
SPACER PAD 0,5mm				
SIZE	CAGE CODE	DRAWING NO	RESTRICTED TO	
A4	00779	©-1551962	-	
SCALE 20:1			SHEET 2	OF 2
			REV	A