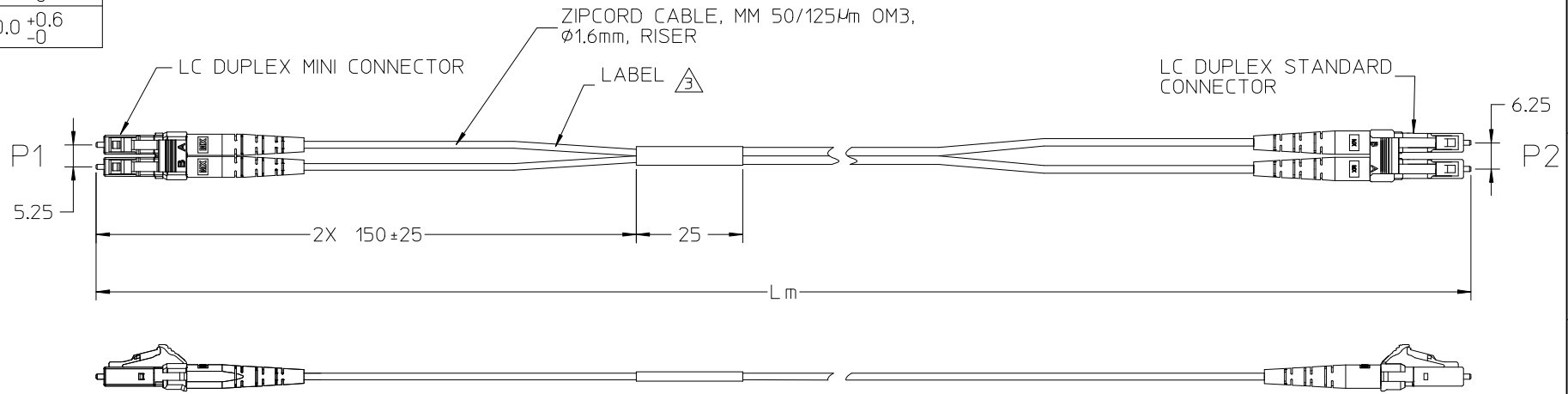


JUMPER P/N	LENGTH L
106273-0525	1.0 ^{+0.2} ₋₀
106273-0526	2.0 ^{+0.2} ₋₀
106273-0527	3.0 ^{+0.2} ₋₀
106273-0528	5.0 ^{+0.2} ₋₀
106273-0529	10.0 ^{+0.3} ₋₀
106273-0693	13.0 ^{+0.3} ₋₀
106273-0708	15.0 ^{+0.3} ₋₀
106273-0554	20.0 ^{+0.4} ₋₀
106273-0709	25.0 ^{+0.5} ₋₀
106273-0683	30.0 ^{+0.6} ₋₀

CONNECTIONS	
FROM	TO
P1-A	P2-B
P1-B	P2-A



NOTES:

1. DUST CAPS ARE NOT SHOWN BUT INCLUDED.
2. MAXIMUM INSERTION LOSS PER CONNECTOR AT 850nm - 0.35dB.
3. LABEL IS PRINTED WITH MOLEX P/N AND SERIAL NUMBER. TEST DATA PER CONNECTOR IS SUPPLIED WITH EACH SHIPMENT.

ENTER DESCRIPTION EC NO: MF2013-0128 DRAWN BY: DRINKPEVZNER CHKD: 2012/08/29 APPR: IGUMIN DESCRIPTION: 2012/08/31	QUALITY SYMBOLS ▼=0 ▽=0	GENERAL TOLERANCES (UNLESS SPECIFIED) <table border="1"> <thead> <tr> <th></th> <th>mm</th> <th>INCH</th> </tr> </thead> <tbody> <tr> <td>4 PLACES</td> <td>± ---</td> <td>± ---</td> </tr> <tr> <td>3 PLACES</td> <td>± ---</td> <td>± ---</td> </tr> <tr> <td>2 PLACES</td> <td>± ---</td> <td>± ---</td> </tr> <tr> <td>1 PLACE</td> <td>± ---</td> <td>± ---</td> </tr> <tr> <td>0 PLACE</td> <td>± ---</td> <td>± ---</td> </tr> </tbody> </table>		mm	INCH	4 PLACES	± ---	± ---	3 PLACES	± ---	± ---	2 PLACES	± ---	± ---	1 PLACE	± ---	± ---	0 PLACE	± ---	± ---	DIMENSION STYLE MM ONLY	SCALE 1:1	DESIGN UNITS INCH	THIRD ANGLE PROJECTION
		mm	INCH																					
	4 PLACES	± ---	± ---																					
	3 PLACES	± ---	± ---																					
2 PLACES	± ---	± ---																						
1 PLACE	± ---	± ---																						
0 PLACE	± ---	± ---																						
DRAWN BY: IGUMIN DATE: 2009/08/05	CHECKED BY: [] DATE: []	APPROVED BY: [] DATE: 2009/08/05	TITLE LCD MINI TO LCD JUMPER, MM 50/125 OM3																					
MATERIAL NO. SEE TABLE	DOCUMENT NO. SD-106273-0525	SHEET NO. 1 OF 1	molex																					
DRAFT WHERE APPLICABLE MUST REMAIN WITHIN DIMENSIONS																								