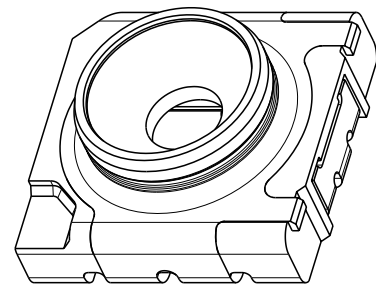


THIS DRAWING IS UNPUBLISHED. RELEASED FOR PUBLICATION  
 © COPYRIGHT - BY - ALL RIGHTS RESERVED.

LOC	DIST	REVISIONS					
H	-	P	LTR	DESCRIPTION	DATE	DWN	APVD
			A3	ECR-12-006671	11APR2012	JvH	DH
			A4	ECR-12-011017	14JUN2012	JvH	DH
			A5	ECR-12-014442	13AUG2012	JHA	DH
			A6	ECR-13-005766	03APR2013	RK	WJ

NOTES:

- 1 COPLANARITY OF SOLDER SURFACES 0,08 MAX.
- 2 MAX FLASH ALLOWED IN THIS AREA (TWO SIDES) 0,08mm.
- 3 DIMENSIONS FOLLOW REQUIREMENTS FOR MATING TO:  
 MASS PRODUCTION PROBE 619361-1.  
 HAND PROBE 619384-1.
- 4 SOLDER BARRIER AREA; Ni PLATING ON CONTACTS.

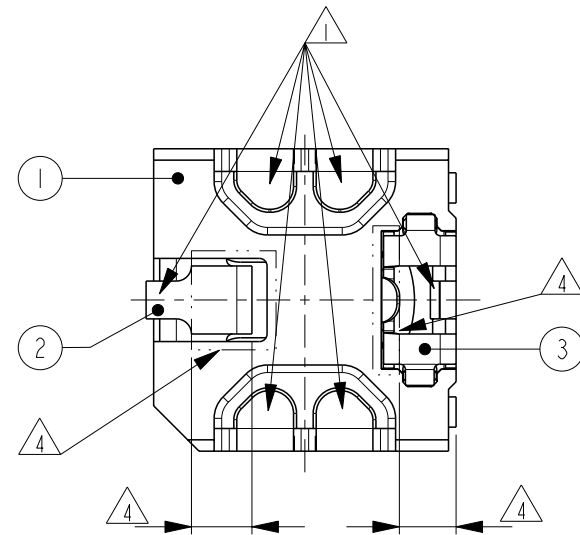
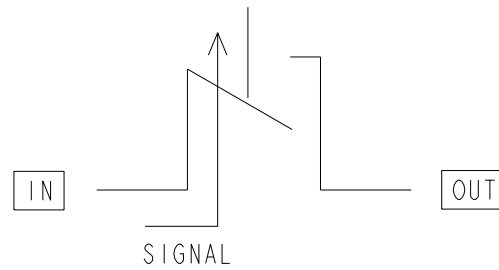
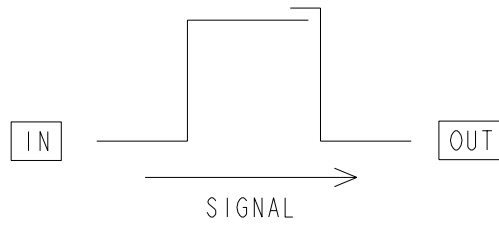
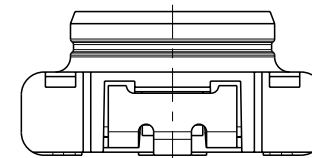
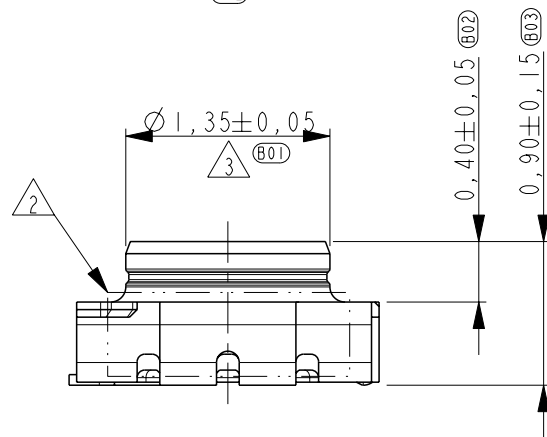
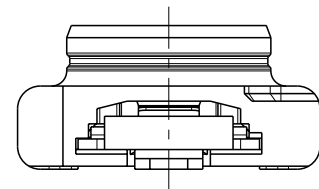
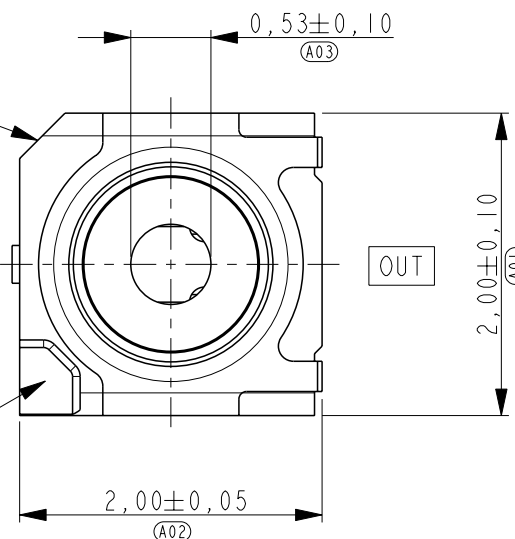


ORIENTATION FEATURE

IN

OUT

INJECTOR GATE LOCATION



1551372-1 AS SHOWN.

ITEM NO.	DESCRIPTION	MATERIAL	FINISH
3	CONTACT CLIP	COPPER ALLOY	0,1 µm GOLD
2	CONTACT SPRING	COPPER ALLOY	0,1 µm GOLD
1	SHIELD OVERMOULD	LCP, 30%GF / COPPER ALLOY	1,2 µm NICKEL

THIS DRAWING IS A CONTROLLED DOCUMENT.

DWN 07 SEP 2009 J. Haans  
 CHK 07 SEP 2009 J. Dittner  
 APVD 08 SEP 2009 D. Halberstadt

TE Connectivity

NAME RF SWITCH

PRODUCT SPEC 108-19355  
 APPLICATION SPEC 114-19113

WEIGHT 0,007 gr

Customer Drawing

SCALE 3:10 SHEET 1 OF 3 REV A6

THIS DRAWING IS UNPUBLISHED.

RELEASED FOR PUBLICATION

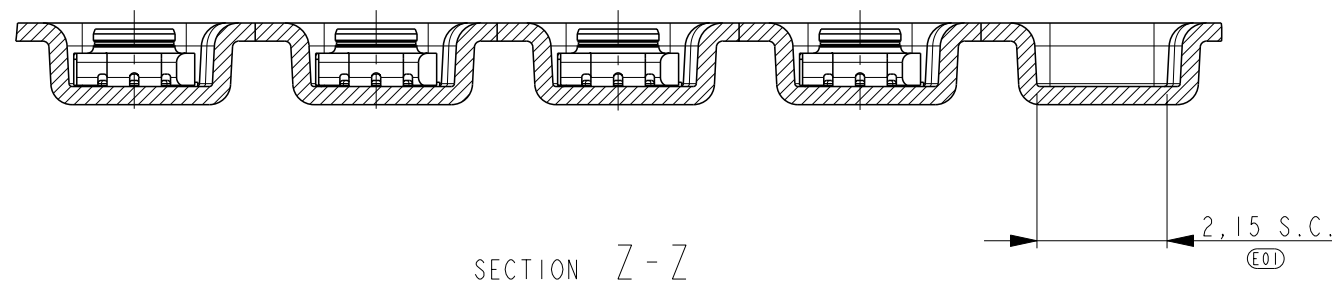
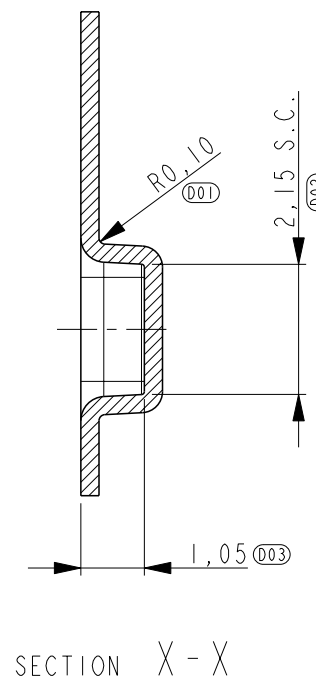
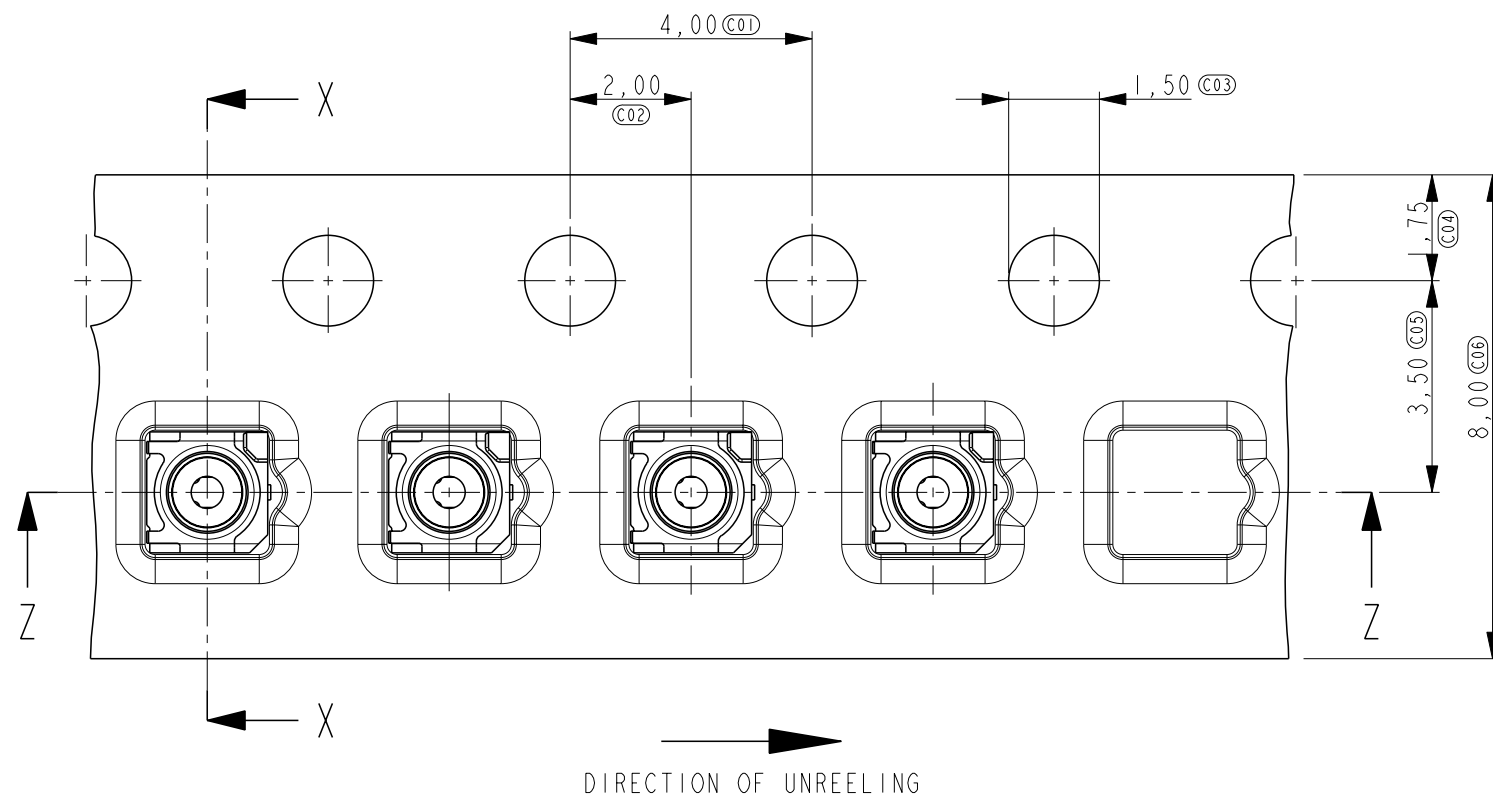
© COPYRIGHT - BY -

ALL RIGHTS RESERVED.

LOC H DIST -

REVISIONS

P	LTR	DESCRIPTION	DATE	DWN	APVD
-	-	SEE SHEET 1	-	-	-



NOTES:

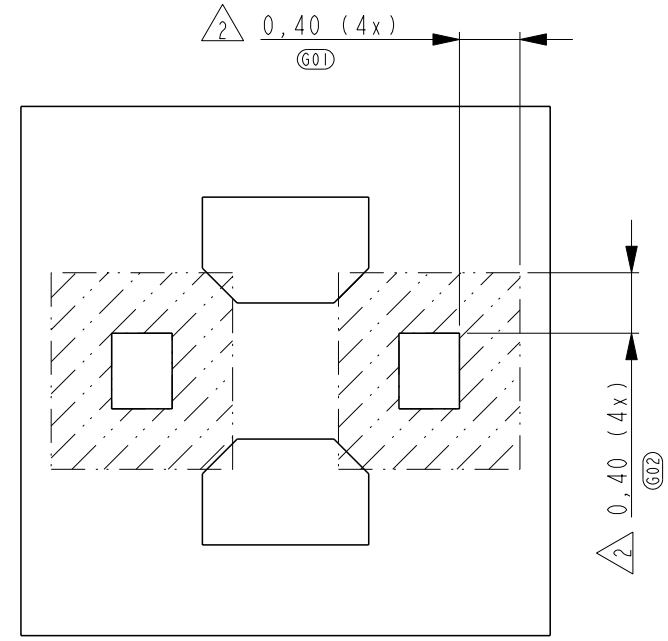
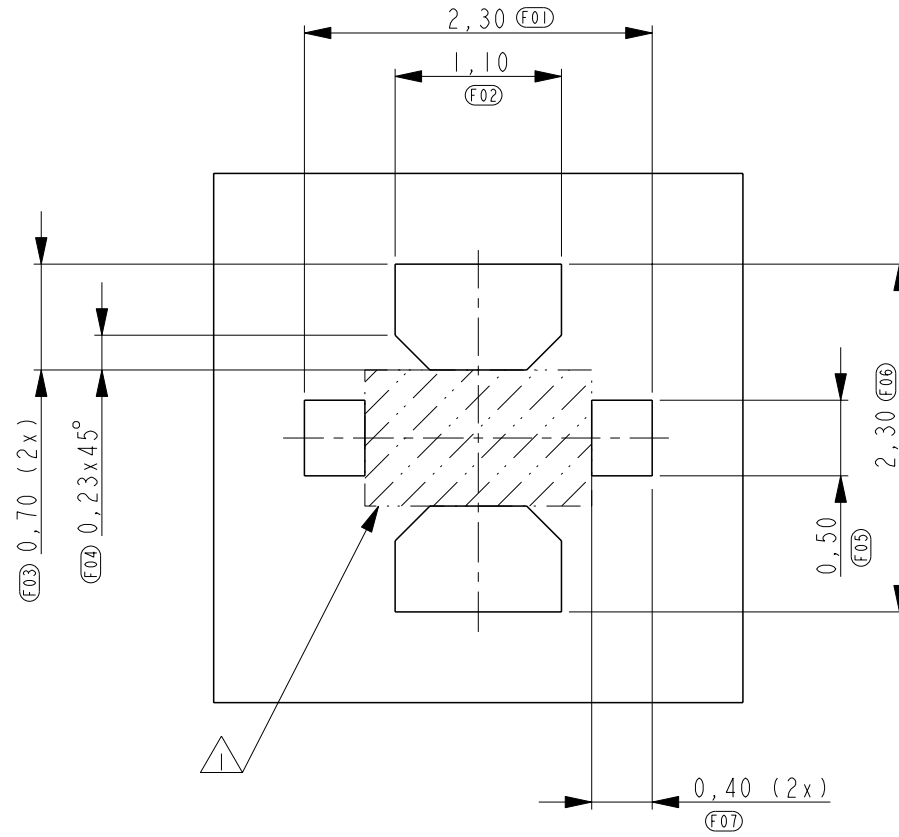
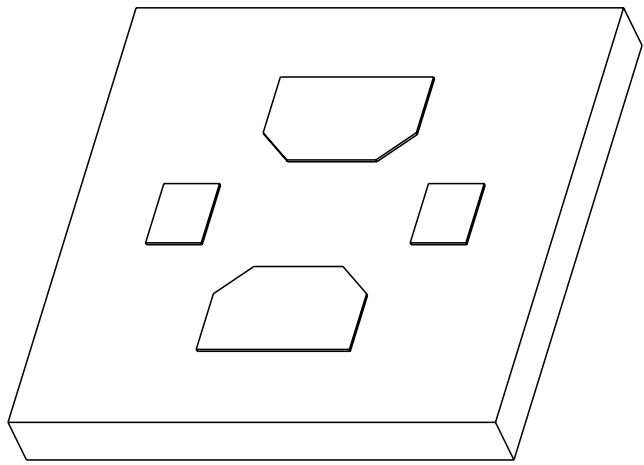
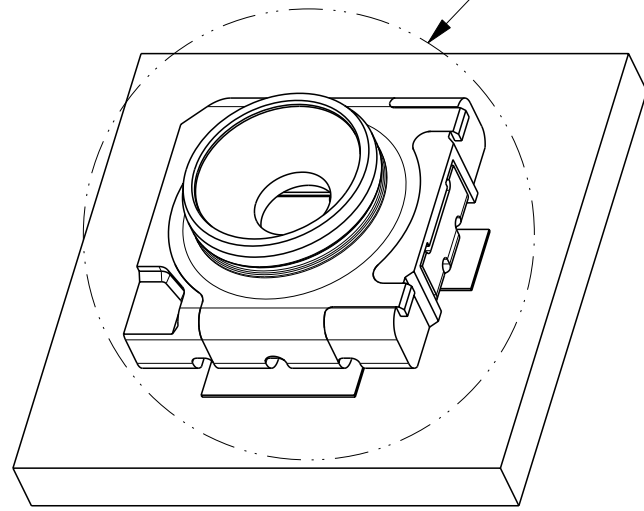
- 1 MATERIAL: PS 0,3 mm. COLOR CLEAR.
- 2 ALL INSIDE RADII 0,2 MAX, UNLESS OTHERWISE SPECIFIED.
- 3 ACCORDING EIA-481.0-B.
- 4 MAXIMUM CAMBER 1mm / 250mm.
- 5 REEL DIAM 330mm. 10000 PIECES/REEL

THIS DRAWING IS A CONTROLLED DOCUMENT.		DWN 07 SEP 2009 J. Haans		
DIMENSIONS: mm		CHK 07 SEP 2009 J. Dittner		
TOLERANCES UNLESS OTHERWISE SPECIFIED:		APVD 08 SEP 2009 D. Halberstadt	NAME RF SWITCH	
0 PLC ±-		PRODUCT SPEC 108-19355	SIZE A3	
1 PLC ±-		APPLICATION SPEC 114-19113	CAGE CODE 00779	DRAWING NO C=1551372
2 PLC ±-		WEIGHT 0,007 gr	RESTRICTED TO -	
3 PLC ±-		Customer Drawing	SCALE 3:10	SHEET 2 OF 3
4 PLC ±-				REV A6
ANGLES ±-				
FINISH SEE TABLE				

THIS DRAWING IS UNPUBLISHED. RELEASED FOR PUBLICATION  
 © COPYRIGHT - BY - ALL RIGHTS RESERVED.

LOC	DIST	REVISIONS			
P	LTR	DESCRIPTION	DATE	DWN	APVD
H	-	SEE SHEET 1	-	-	-

KEEP AREA FREE FROM DUST PARTICLES AS RESULT OF BOARD CUTTING ETC.



- 1 NO COPPER PERMITTED UNDER THE SWITCH AT SPECIFIED DIMENSION. WHEN DEVIATED FROM DIMENSION: SIGNAL AND GROUND CONNECTIONS MUST BE DESIGNED TO MATCH THE 50 OHM IMPEDANCE.
- 2 NO OTHER SIGNAL OR GROUND PATTERN ALLOWED WITHIN SPECIFIED AREA.

RECOMMENDED PCB LAYOUT

THIS DRAWING IS A CONTROLLED DOCUMENT.		DWN 07 SEP 2009 J. Haans			
DIMENSIONS: mm		CHK 07 SEP 2009 J. Dittner			
TOLERANCES UNLESS OTHERWISE SPECIFIED:		APVD 08 SEP 2009 D. Halberstadt	NAME RF SWITCH		
0 PLC ±- 1 PLC ±- 2 PLC ±- 3 PLC ±- 4 PLC ±- ANGLES ±- FINISH SEE TABLE		PRODUCT SPEC 108-19355	RESTRICTED TO		
MATERIAL SEE TABLE		APPLICATION SPEC 114-19113	SIZE A3	CAGE CODE 00779	DRAWING NO C-1551372
		WEIGHT 0,007 gr	SCALE 3:10		SHEET 3 OF 3
		Customer Drawing	REV A6		