

DO NOT SCALE FROM THIS PRINT

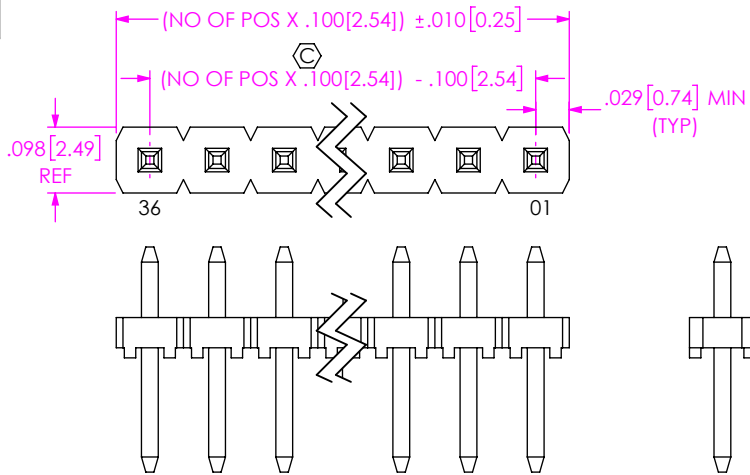
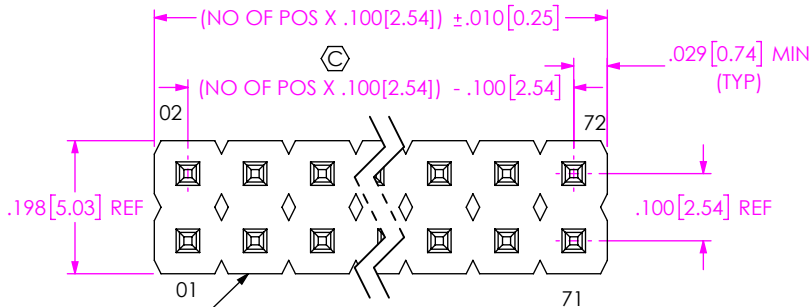


FIG 2  
TLW-136-05-XXX-S SHOWN  
(DIFFERENT AS SHOWN, OTHERWISE SAME AS FIG 1)



TLW-XX-D

"C" REF  
(SEE NOTE 6, TABLE 1)

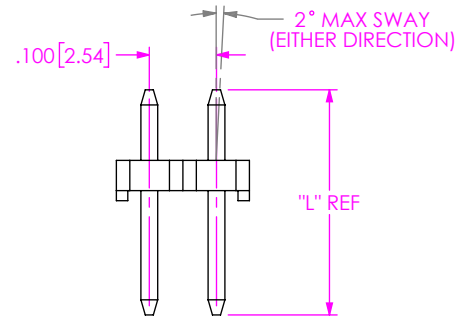
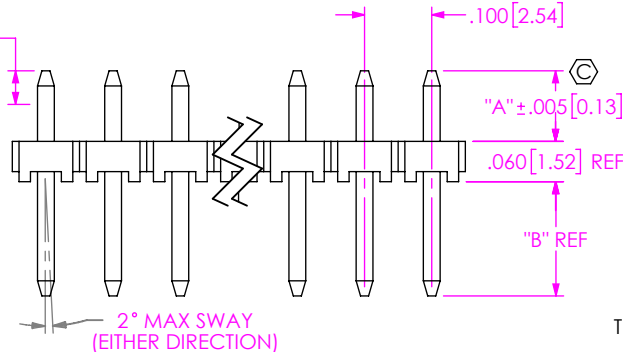


FIG 1  
TLW-136-05-XXX-D SHOWN

TLW-1XX-XX-XXX-X-XX-XXX

No OF POSITIONS  
-01 THRU -40 (SINGLE)  
-01 THRU -36 (DOUBLE)

POLARIZING SPECIFICATION  
XXX INDICATES POS TO BE OMITTED  
(IDENTIFY POSITION WITH FEET DOWN)

LEAD STYLE  
-01: RA (SEE FIG 3, SHT 2)  
-05: TH (SEE TABLE 1)  
-06: TH (SEE TABLE 1)

OPTIONS  
(LEAVE BLANK FOR THROUGH, SEE FIG 1 & 2)  
-RA: RIGHT ANGLE (LEAD STYLE -01 ONLY)  
(SEE FIG 3, SHT 2)  
-LL: TH WITH LOCKING LEADS (SEE FIG 6, SHT 2)  
-LA: RA WITH LOCKING LEADS (SEE FIG 4, SHT 2)

PLATING SPECIFICATION  
-G: GOLD (SPECIFY -G IN TERMINAL SUFFIX -XXX)  
-T: TIN (SPECIFY -T IN TERMINAL SUFFIX -XXX)  
-H: HEAVY GOLD (SPECIFY -H IN TERMINAL SUFFIX -XXX)  
-S: SELECTIVE (SPECIFY -S IN TERMINAL SUFFIX -XXX)  
-F: FLASH SELECTIVE (SPECIFY -F IN TERMINAL SUFFIX -XXX)  
-L: LIGHT SELECTIVE (SPECIFY -L IN TERMINAL SUFFIX -XXX)  
-TM: MATTE TIN (SPECIFY -T IN TERMINAL SUFFIX -XXX)  
-SM: SELECTIVE HEAVY GOLD, MATTE TIN TAIL (SPECIFY -S IN TERMINAL SUFFIX -XXX)  
-FM: FLASH SELECTIVE GOLD, MATTE TIN TAIL (SPECIFY -F IN TERMINAL SUFFIX -XXX)  
-LM: LIGHT SELECTIVE GOLD, MATTE TIN TAIL (SPECIFY -L IN TERMINAL SUFFIX -XXX)  
-STL: SELECTIVE GOLD, TIN/LEAD TAIL (SPECIFY -STL IN TERMINAL SUFFIX -XXX)  
(AVAILABLE IN STRAIGHT THROUGH HOLE VERSION ONLY)

ROW SPECIFICATION  
-S: SINGLE ROW (USE TLW-XX-S)  
-D: DOUBLE ROW (USE TLW-XX-D)

TABLE 1

LEAD STYLE	TERMINAL 1	TERMINAL 2	"L"	"A"	"B"	"C"
-05	T-1S6-21-XXX-2	N/A	.335 [8.51]	.105 [2.67]	.170 [4.32]	.050 [1.27]
-06	T-1S6-18-XXX-2	N/A	.300 [7.62]	.105 [2.67]	.135 [3.43]	.050 [1.27]
-01-S	T-1S6-22-XXX-2	N/A	.495 [12.57]	.230 [5.84]	N/A	.165 [4.19]
-01-D	T-1S6-22-XXX-2	-	.495 [12.57]	.230 [5.84]	N/A	.165 [4.19]
-01-D	-	T-1S6-23-XXX-2	.695 [17.65]	.230 [5.84]	N/A	.165 [4.19]

NOTES:

1. © REPRESENTS A CRITICAL DIMENSION.
2. MAXIMUM ALLOWABLE BOW: .005[0.13] INCH/INCH AFTER ASSEMBLY.
3. MINIMUM TERMINAL PUSHOUT FORCE FOR -06 LEAD STYLE: 1 LB;  
ALL OTHER LEAD STYLES: 2 LBS.
4. MAXIMUM PIN ROTATION IN BODY: 2°.
5. MAXIMUM CUT FLASH: .010[0.25].
6. GOLD CONTACT AREA LOCATION FOR G, H, S, L, F, SM, LM, FM & STL PLATING.
7. ORIENTATE PINS TO PREVENT BANDOLIER MARKS FROM SHOWING IN THE POST AREA. (SEE TABLE 2, SHT 3)

UNLESS OTHERWISE SPECIFIED, DIMENSIONS ARE IN INCHES. TOLERANCES ARE:  
DECIMALS ANGLES  
.XX: ±.01 [0.3]  
.XXX: ±.005 [0.13]  
.XXXX: ±.0020 [0.051]

PROPRIETARY NOTE  
THIS DOCUMENT CONTAINS CONFIDENTIAL AND PROPRIETARY INFORMATION AND ALL DESIGN, MANUFACTURING, REPRODUCTION, USE, PATENT RIGHTS AND SALES RIGHTS ARE EXPRESSLY RESERVED BY SAMTEC, INC. THIS DOCUMENT SHALL NOT BE DISCLOSED, IN WHOLE OR PART, TO ANY UNAUTHORIZED PERSON OR ENTITY NOR REPRODUCED, TRANSFERRED OR INCORPORATED IN ANY OTHER PROJECT IN ANY MANNER WITHOUT THE EXPRESS WRITTEN CONSENT OF SAMTEC, INC.



520 PARK EAST BLVD, NEW ALBANY, IN 47150  
PHONE: 812-944-6733 FAX: 812-948-5047  
e-Mail: info@SAMTEC.com code 55322

MATERIAL: DO NOT SCALE DRAWING SHEET SCALE: 4:1  
INSULATOR: LCP, COLOR: BLACK  
TERMINAL: PHOSPHOR BRONZE

DESCRIPTION: LOW PROFILE TERMINAL ASSEMBLY

DWG. NO. TLW-1XX-XX-XXX-X-XX-XXX

BY: M PUFFER 08/18/97 SHEET 1 OF 3

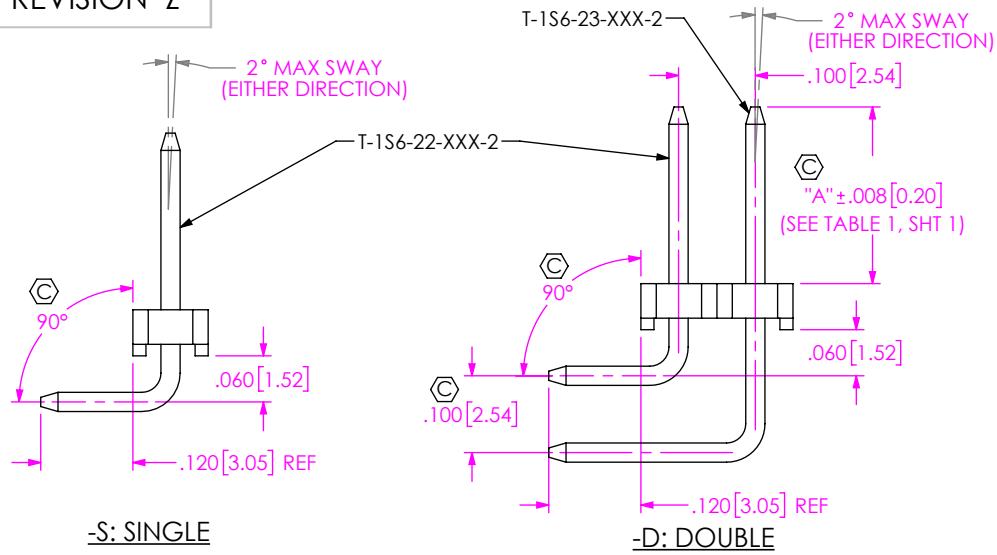


FIG 3  
-RA OPTION  
(DIFFERENT AS SHOWN, OTHERWISE SAME AS FIG 1 & FIG 2)

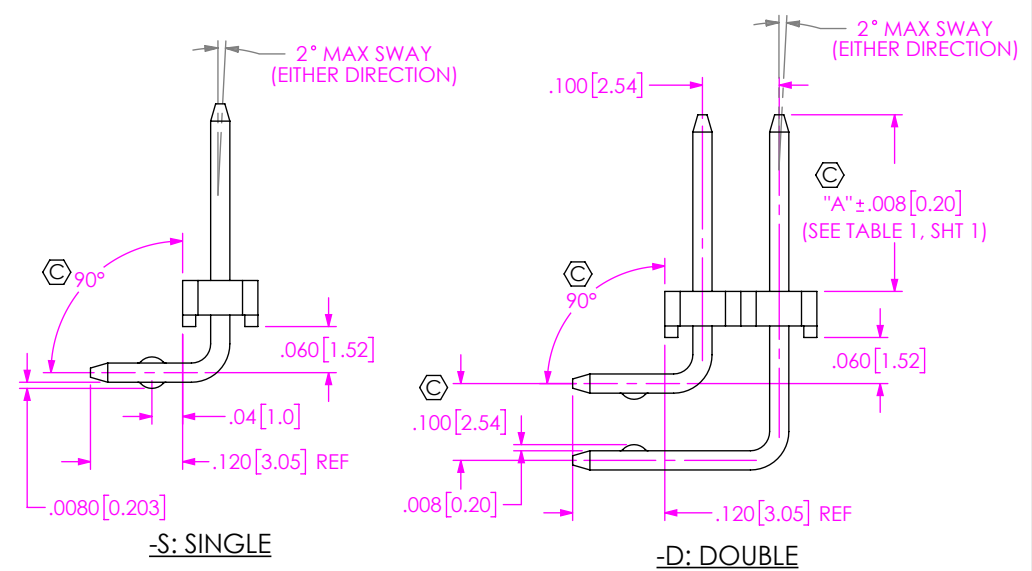
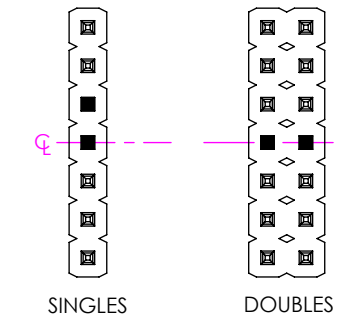
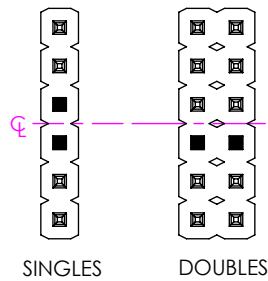


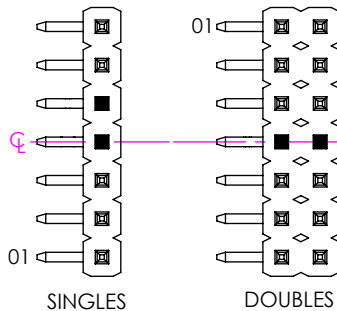
FIG 4  
-LA OPTION  
(DIFFERENT AS SHOWN, OTHERWISE SAME AS FIG 1 & FIG 2)



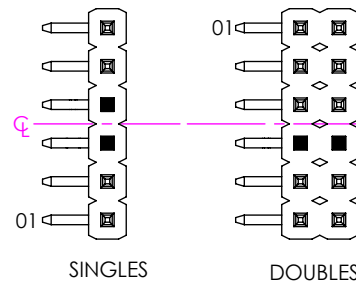
STRAIGHT VERSION  
ODD POSTIONS



STRAIGHT VERSION  
EVEN POSTIONS



RIGHT ANGLE VERSION  
ODD POSTIONS



RIGHT ANGLE VERSION  
EVEN POSTIONS

FIG 5  
LOCKING LEAD  
■ = CRIMP LOCATION

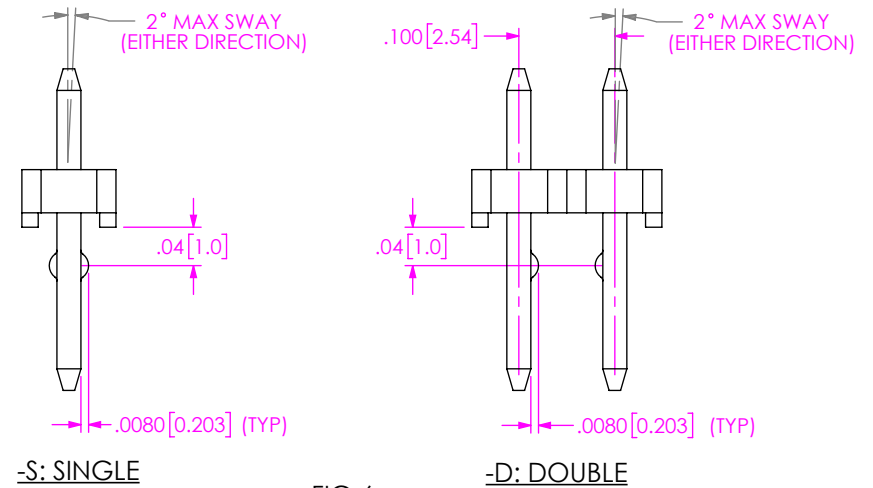


FIG 6  
-LL OPTION  
(DIFFERENT AS SHOWN, OTHERWISE SAME AS FIG 1 & FIG 2)

**PROPRIETARY NOTE**  
THIS DOCUMENT CONTAINS CONFIDENTIAL AND PROPRIETARY INFORMATION AND ALL DESIGN, MANUFACTURING, REPRODUCTION, USE, PATENT RIGHTS AND SALES RIGHTS ARE EXPRESSLY RESERVED BY SAMTEC, INC. THIS DOCUMENT SHALL NOT BE DISCLOSED, IN WHOLE OR PART, TO ANY UNAUTHORIZED PERSON OR ENTITY NOR REPRODUCED, TRANSFERRED OR INCORPORATED IN ANY OTHER PROJECT IN ANY MANNER WITHOUT THE EXPRESS WRITTEN CONSENT OF SAMTEC, INC.



520 PARK EAST BLVD, NEW ALBANY, IN 47150  
PHONE: 812-944-6733 FAX: 812-948-5047  
e-Mail: info@SAMTEC.com code 55322

DO NOT SCALE DRAWING

SHEET SCALE: 4:1

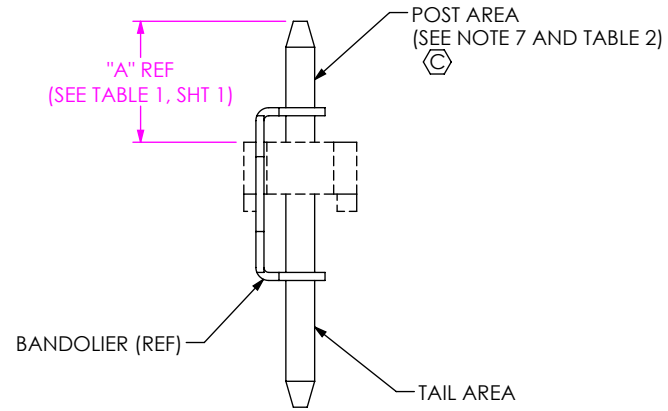
DESCRIPTION: LOW PROFILE TERMINAL ASSEMBLY

DWG. NO. TLW-1XX-XX-XXX-X-XX-XXX

BY: M PUFFER 08/18/97 SHEET 2 OF 3

TABLE 2 (-T PLATING ONLY)		
LEAD STYLE	NUMBER OF BAND MARKS ALLOWED IN THE POST AREA	
	TERMINAL 1	TERMINAL 2
* -05	0	N/A
-06	1	N/A
-01-S	0	N/A
-01-D	0	0

\* PINS TO BE FLIPPED OPPOSITE OF THE SELECTIVE PLATING BEFORE BEING INSERTED.



IN PROCESS 1  
(-T PLATING ONLY)

**PROPRIETARY NOTE**  
 THIS DOCUMENT CONTAINS CONFIDENTIAL AND PROPRIETARY INFORMATION AND ALL DESIGN, MANUFACTURING, REPRODUCTION, USE, PATENT RIGHTS AND SALES RIGHTS ARE EXPRESSLY RESERVED BY SAMTEC, INC. THIS DOCUMENT SHALL NOT BE DISCLOSED, IN WHOLE OR PART, TO ANY UNAUTHORIZED PERSON OR ENTITY NOR REPRODUCED, TRANSFERRED OR INCORPORATED IN ANY OTHER PROJECT IN ANY MANNER WITHOUT THE EXPRESS WRITTEN CONSENT OF SAMTEC, INC.



520 PARK EAST BLVD, NEW ALBANY, IN 47150  
 PHONE: 812-944-6733 FAX: 812-948-5047  
 e-Mail info@SAMTEC.com code 55322

DO NOT SCALE DRAWING

SHEET SCALE: 4:1

DESCRIPTION: LOW PROFILE TERMINAL ASSEMBLY

DWG. NO. TLW-1XX-XX-XXX-X-XX-XXX

BY: M PUFFER 08/18/97 SHEET 3 OF 3