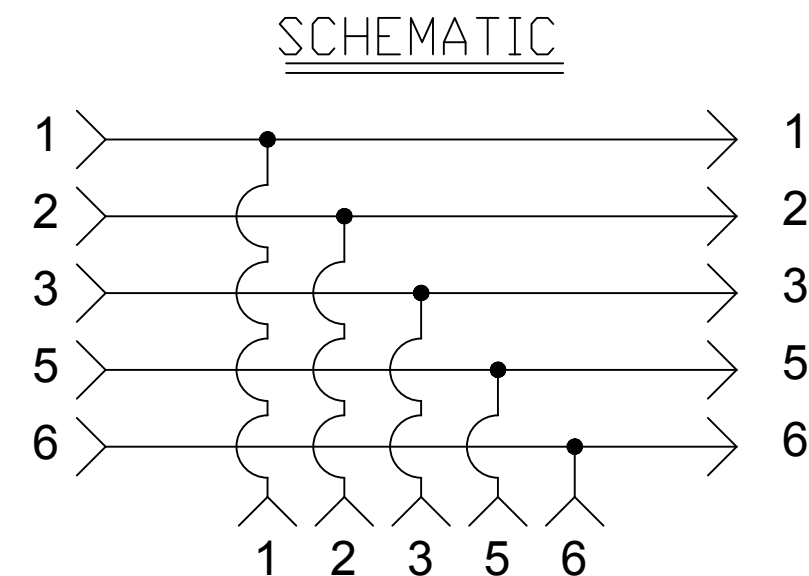
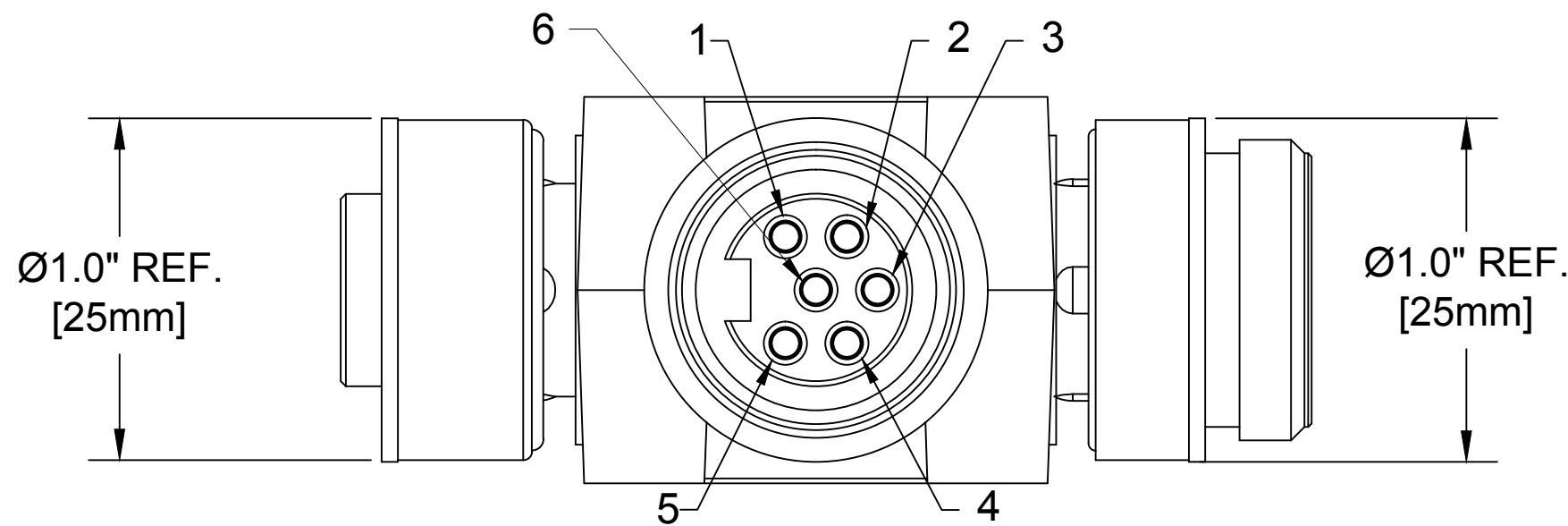
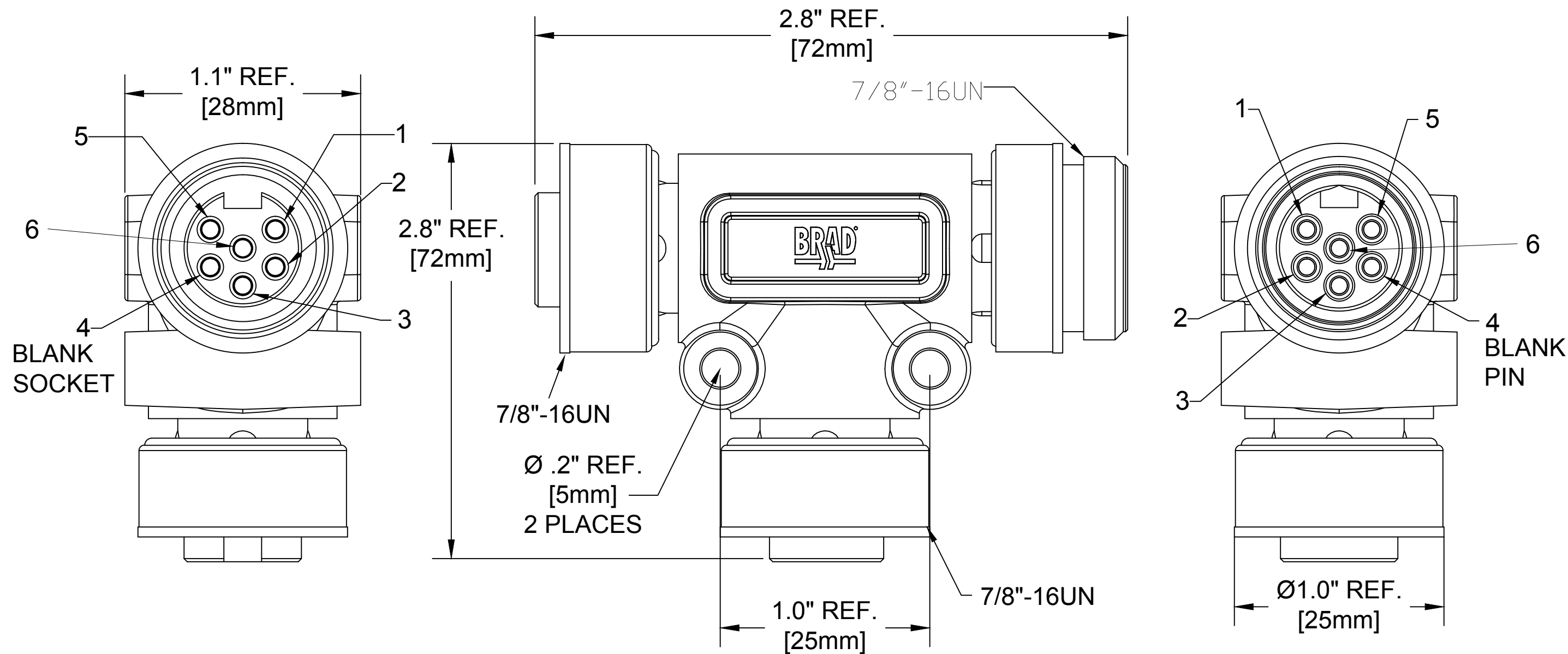


MATERIAL NUMBER

130035-0031

OLD PART NUMBER

61451-ESDUT



VOLTAGE RATING	600 VAC/VDC
AMPERAGE RATING	8 AMPS
PROTECTION	IP67
OPERATING TEMPERATURE	-20°C TO 80°C

COMPONENT	MATERIAL	FINISH
INSERT	PVC	YELLOW
CONTACT SOCKET	COPPER ALLOY	GOLD OVER NICKEL
CONTACT PIN	COPPER ALLOY	GOLD OVER NICKEL
COUPLING NUT	ZINC DIE CAST	BLACK E-COATED
OVERMOLD	RITFLEX	BLACK

RELEASE EC NO: ICG2014-0871 DRWN: BWOODMAN2010/05/19 CH'KD: BARDEN APPR: BWOODMAN2013/11/20	QUALITY SYMBOL	GENERAL TOLERANCES (UNLESS SPECIFIED)	DIMENSION STYLE	SCALE	DESIGN UNITS	THIRD ANGLE PROJECTION
	▽=0 ∇=0	mm INCH	IN/MM	NTS	INCH	
		4 PLACES ±--- ±---	DRAWN BY DATE	TITLE		
		3 PLACES ±--- ±.005	CHECKED BY DATE	MINI-CHANGE 6-POLE TEE ESTOP-OUT TEE WITH PIN 4 BLANK		
	2 PLACES ±0.13 ±.010	APPROVED BY DATE	MOLEX INCORPORATED			
	1 PLACE ±0.25 ±.020	BWOODMAN 2013/11/20	MATERIAL NO.	DOCUMENT NO.	SHEET NO.	
			SEE CHART	SD-130035-011	1 OF 1	
			THIS DRAWING CONTAINS INFORMATION THAT IS PROPRIETARY TO MOLEX INCORPORATED AND SHOULD NOT BE USED WITHOUT WRITTEN PERMISSION			

ANGULAR ±1/2°
 DRAFT WHERE APPLICABLE MUST REMAIN WITHIN DIMENSIONS

SIZE C

MOLEX INCORPORATED
 SD-130035-011
 1 OF 1