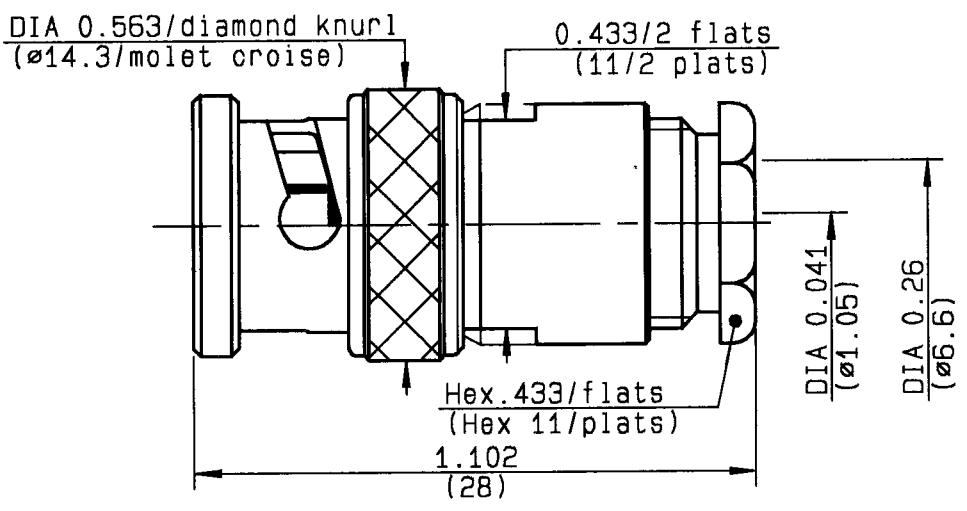


STRAIGHT CABLE PLUG-CLAMP TYPE  
CABLE 6/75+93

Series : BNC

1 / 2



CABLES : -

CHARACTERISTICS

NOMINAL IMPEDANCE	50 Ω
FREQUENCY RANGE	0-4 GHz
TEMPERATURE RATING	-65, +165 °C
VSWR	- + 0 x F(GHz)Max1
RF INSERTION LOSS	- √F(GHz) dB Max1
VOLTAGE RATING	- Vrms Max
DIELECTRIC WITHSTANDING VOLTAGE	1500 Vrms min
INSULATION RESISTANCE	5000 MΩ min
HERMETIC SEAL	- cc/s - Atm.cm3/s
LEAKAGE (pressurized only)	- psi - MPa
WEIGHT	0.6071 Oz 17 g

STANDARDISATION	-
CABLE RETENTION	40.64 lb min 181 N
CENTER CONTACT RETENTION	-
Axial force - mating end	0 lb min N
Axial force - opposite end	0 lb min N
Torque (Min)	0 Inch.oz cm.N
RECOMMENDED TORQUES	-
Mating	0 Inch.lb cm.N
Panel nut	0 Inch.lb cm.N
Clamp nut	0 Inch.lb cm.N

CONSTRUCTION

CONNECTOR PARTS	MATERIALS	FINISH
BODY	BRASS	NICKEL
OUTER CONTACT	BRASS	NICKEL
CENTER CONTACT	BRASS	GOLD
INSULATOR	PTFE	-
COUPLING NUT	BRASS	NICKEL
-	-	-
-	-	-
-	-	-
-	-	-

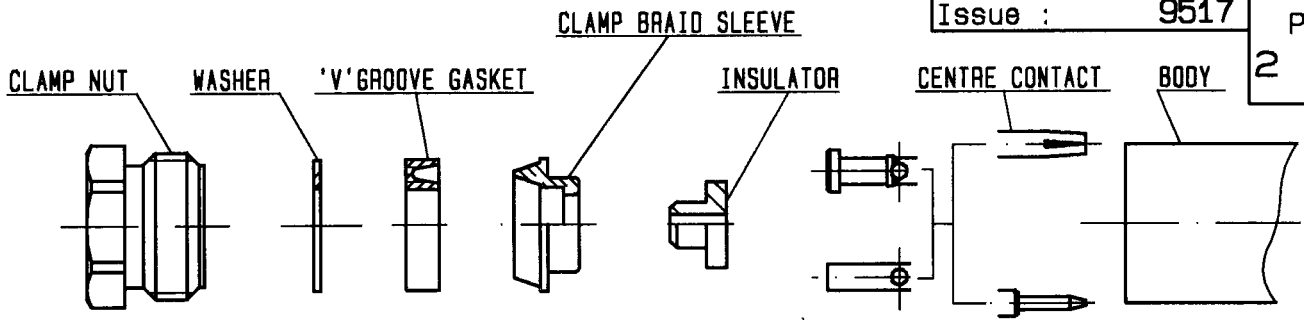
ISSUE	REVISION No	DESCRIPTION	BY	DATE
-	-	-	-	-
-	-	-	-	-
-	-	-	-	-
-	-	-	-	-

Initiated on 25-04-95

The information given here is subject to change without notice. Design changes may be in order to improve the product.



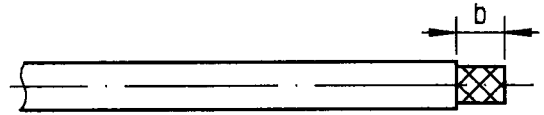
Approval by LELEU P.



①

Strip the cable .

-  
-  
-  
-

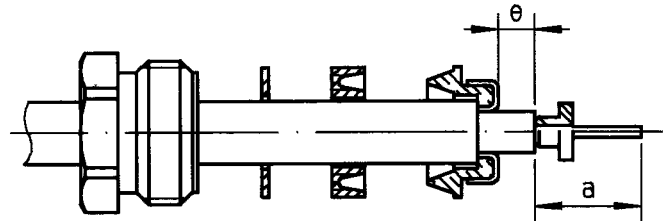


Stripping	a	b	c	d	e
inch	0.217	0.236	0	0	0.02
mm	5.5	6	-	-	0.5

②

Slide the clamp nut , the washer and the 'V'groove gasket onto the cable .  
Slide clamp braid sleeve over braid .  
Fold back braid and trim off surplus braid .  
Trim back dielectric as shown .

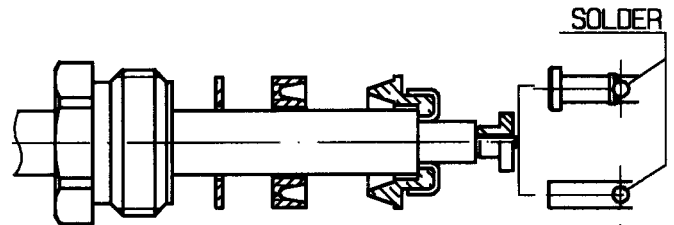
-  
-  
-



③

Solder the cable inner conductor into centre contact .

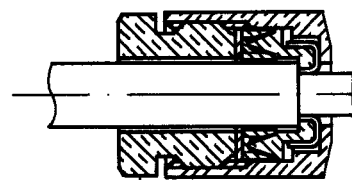
-  
-  
-  
-  
-  
-



④

Screw sub-assembly into the connector body .  
( recommended coupling torque 13.27 in.lb )

-  
-



Hex. : 0.433/flats