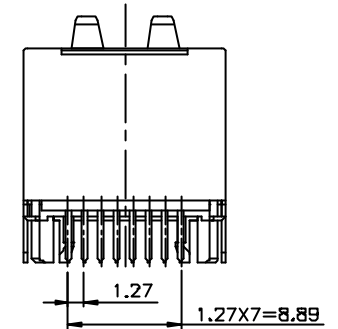


REVISION RECORD				
REV	ECO	DESCRIPTION	DRFT	CHKD



**NOTE:**

**ELECTRICAL**

- VOLTAGE RATING : 125 VAC RMS.
- CURRENT RATING : 1.5 AMP.
- CONTACT RESISTANCE : 60 MILLIOHMS MAX.
- INSULATION RESISTANCE : 1000 MEGOHMS MIN @ 500 VDC.
- DIELECTRIC STRENGTH : 1000 VAC RMS 60Hz, 1MIN.
- CATEGORY 5 CHARACTERISTIC:

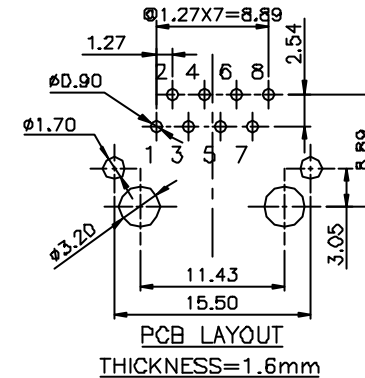
Frequency	Near-End Cross Talk dB, MIN.	Return Loss dB, MIN.	Attenuation dB, MAX
1.0 MHZ	65	23	0.1
4.0 MHZ	65	23	0.1
8.0 MHZ	62	23	0.1
10.0 MHZ	60	23	0.1
16.0 MHZ	56	23	0.2
20.0 MHZ	54	23	0.2
25.0 MHZ	52	14	0.2
31.25 MHZ	50	14	0.2
62.5 MHZ	44	14	0.3
100.0 MHZ	40	14	0.4

**MECHANICAL:**

- SHIELD : 0.25mm THICKNESS BRASS C2680.
- HOUSING MATERIAL : PBT+30%.G.F UL94V-0.
- INSERT : PBT+30%.G.F UL94V-0.
- PCB : FR-4, 0.6mm THICKNESS, DOUBLE SIDE
- CONTACT MATERIAL : PHOSPHOR BRONZE t=0.35mm.
- PLATING : SHIELD PLATED Sn/Pb 100u" OVER 30u"~50u" NI. CONTACT AREA- SELECTIVE GOLD PLATING OVER 50u" NICKEL.
- OPERATING LIFE : 750 CYCLES MIN.

**ENVIRONMENTAL:**

- STORAGE : -40°C TO +85°C.
  - OPERATION : 0°C TO 70°C.
- MATES WITH MODULAR PLUG CONFORMING TO FCC PART 68, SUBPART F.



PART NUMBER: E6588-XX0C2X

LOGO OPTION:  
R- W/LOGO  
S- W/O LOGO

PLATING: 1- 3u" 4-30u"  
2- 6u" 5-50u"  
3- 15u"

SHIELD OPTION:  
3-Sn/Pb  
4-Ni

DETAILED LIST DIM (INCH) TOLERANCES EXCEPT AS NOTED MIN ± .000 ±0.075 ANGLES ± THIRD ANGLE PROJECTION	DFTD 8/11/11 DATE 12/09/13 CHKD DRWU DATE 2009/10/10 WFD DATE APPVL 12/ DATE 2009/10/10	<b>FULL RISE ELECTRONIC CO., LTD</b>		
	TITLE (NORMAL TYPE) <b>W/TAB 20.57 C5 JACK</b>		DRAWING NO GE653035 /PART NO. SEE NOTE	
	QTY : FINISH : SCALE :	SIZE A3 REV D	DO NOT SCALE DRAWING SHEET X OF Y	
	MATERIAL :		SHEET X OF Y	