

Data sheet | Item number: 288-620

Track section; Size 2; 1 m long; gray

www.wago.com/288-620



i Picture differs from the item.

Similar to picture

Color:

Dimensions in mm

L_1 = PCB/cover length

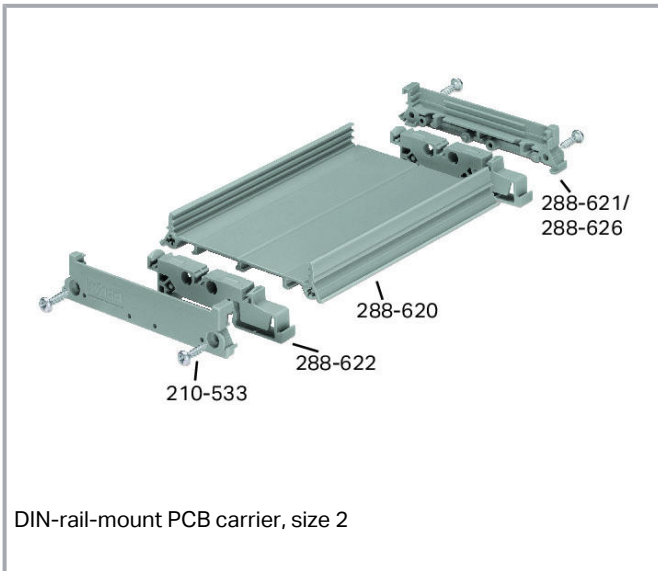
$L_2 = L_1 - 15.8$ mm (L_2 = carrier base length)

$L_3 = L_1 + 2$ mm

Subject to changes. Please also observe the further product documentation!

WAGO Kontakttechnik GmbH & Co. KG
Hansastr. 27
32423 Minden
Phone: +49571 887-0 | Fax: +49571 887-169
Email: info.de@wago.com | Web: www.wago.com

Do you have any questions about our products?
We are always happy to take your call at +49 (571) 887-44222.



Item description

DIN-rail mount PCB carrier, size 2 – carrier base, size 2; 1 m long

Data

Notes

Note

Length calculation for a complete mounting carrier:

PCB length: L1

Base length: L2 = L1 - 15.8 mm

Mounting carrier length: L3 = L1 + 2 mm

Cover length: L4 = L1

Lateral cover, size 2, 8.75 mm thick

Free space between base and PCB (when using upper PCB groove):
5 mm

PCB tolerances: thickness 1.5 mm ± 0.2 mm, length/width ± 0.2 mm;
-0.1/+0.3 for milling contours

Subject to changes. Please also observe the further product documentation!

Physical data

Width	1000 mm / 39.37 inch
Height	100 mm / 3.937 inch

Mechanical data

Mounting type	DIN-35 rail
---------------	-------------

Material data





Color	gray
Weight	297 g

Commercial data

Product Group	6 (Interface Electronics)
PU (SPU)	1 Stück
Packaging type	box
Country of origin	DE
GTIN	4017332639477
Customs tariff number	39169010900

Optional accessories

Mounting

Mounting accessories		
	Item no.: 210-533 Phillips screw 2.9 x 13	www.wago.com/210-533
Mounting carrier and mounting feet		
	Item no.: 288-627 Cover; Size 2; 1 m long; transparent	www.wago.com/288-627
	Item no.: 288-621 Lateral cover; Size 2; small; 8.75 mm thick; gray	www.wago.com/288-621
	Item no.: 288-622 Fixing foot for DIN 35 rail; gray	www.wago.com/288-622

Subject to changes. Please also observe the further product documentation!



Item no.: 288-626
Lateral cover; Size 2; large; 8.75 mm thick; gray

Marking accessories

Marking strip



Item no.: 709-196
Marking strips; for laser printer; translucent

www.wago.com/709-196



Item no.: 709-178
Marking strips; on reel; 7.5 mm wide; not stretchable; plain; snap-on type; white

www.wago.com/709-178



Item no.: 709-177
Marking strips; on reel; 7.5 mm wide; not stretchable; plain; snap-on type; translucent

www.wago.com/709-177

Downloads

Documentation

Additional Information

Disposal; Electrical and electronic equipment, Packaging	V 1.0.0	pdf 265.8 kB	Download
--	---------	-----------------	----------

CAD/CAE-Data

CAD data

2D/3D Models 288-620	URL	Download
----------------------	-----	----------

CAE data

WSCAD Universe 288-620	URL	Download
------------------------	-----	----------

ZUKEN Portal 288-620	URL	Download
----------------------	-----	----------

Environmental Product Compliance

Compliance Search

Environmental Product Compliance 288-620	URL	Download
--	-----	----------

Subject to changes. Please also observe the further product documentation!

Data sheet | Item number: 288-620

www.wago.com/288-620



Track section; Size 2; 1 m long; gray

Installation Notes

Subject to changes. Please also observe the further product documentation!

WAGO Kontakttechnik GmbH & Co. KG
Hansastr. 27
32423 Minden
Phone: +49571 887-0 | Fax: +49571 887-169
Email: info.de@wago.com | Web: www.wago.com

Do you have any questions about our products?
We are always happy to take your call at +49 (571) 887-44222.