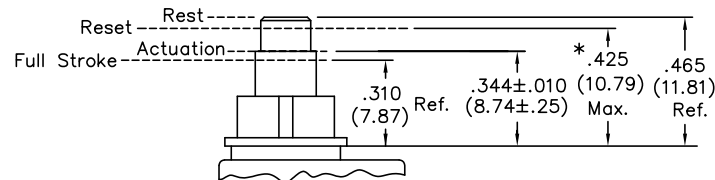
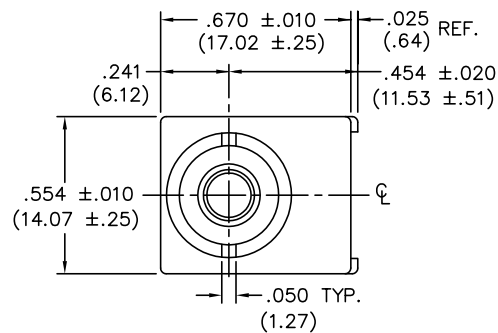


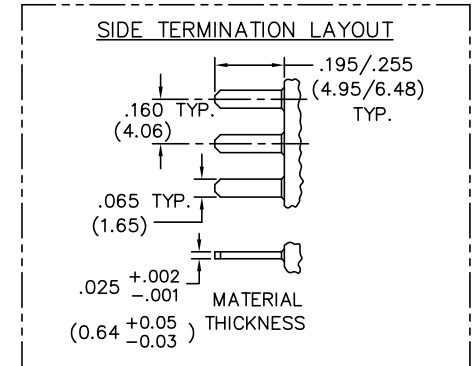
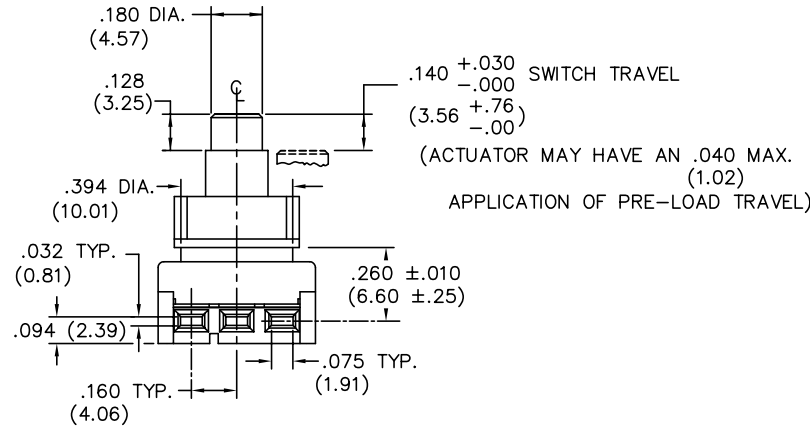
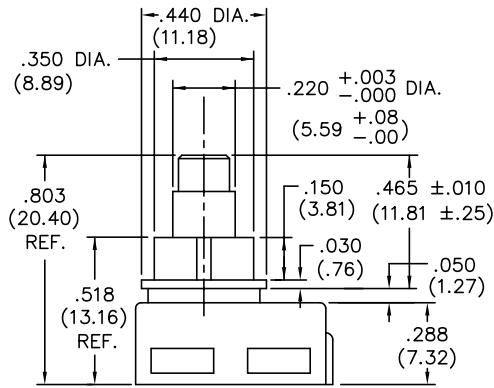
DIMENSIONS IN INCHES (MILLIMETERS)
DO NOT SCALE DRAWING

Dwg. No.
GC-536B-0108



SWITCH TRAVEL SPECIFICATIONS

* Mating Part can Pre-Load Actuator down to .425 (10.79) max..



TERMINATION - Insert male tabs into switch housing using side termination. Refer to side termination layout for dimensions."

1 2 3 4 5 6 7 8 9 10

FORM-B3 REVISIONS

THIS INFORMATION IS CONFIDENTIAL AND PROPRIETARY TO CW INDUSTRIES INCORPORATED AND ITS AFFILIATES. IT MAY NOT BE DISCLOSED TO ANYONE, OTHER THAN CW INDUSTRIES PERSONNEL, WITHOUT WRITTEN AUTHORIZATION FROM CW INDUSTRIES INCORPORATED, SOUTHAMPTON, PENNSYLVANIA USA.

CW INDUSTRIES Southampton, Pa. 18966		Title: SWITCH ASSEMBLY PUSH ON-PUSH OFF S.P.D.T. W/RIBS DAMPER SPRING VERSION	
TOLERANCES UNLESS OTHERWISE SPECIFIED		MERIC	
2 Place Decimal ±.010	3 Place Decimal ±.005	1 Place Dec. ±.25mm	2 Place Dec. ±.13mm
Angles ±1°			
Made for: CW IND.		Division: SWITCH	
Drawn by: DGW 11-17-2010		Dwg. No. GC-536B-0108	
Checked by: G. Guld 11-18-10			
Approval: EJP 11/19/10			