

Approved	Checked	Designed	DEVELOPMENT SPECIFICATION	TEMPORARY
		T. Takata		

T Y P E	Orange Light Emitting Diode					
A P P L I C A T I O N	Indicators					
M A T E R I A L	InGaAlP					
O U T L I N E	Attached					
A B S O L U T E	P	*1 I <sub>FP</sub>	I <sub>FDC</sub>	V <sub>R</sub>	Topr	Tstg
M A X I M U M	55	60	20	4	-30~+85	-40~+100
R A T I N G S	mW	mA	mA	V	°C	°C
C O N D I T I O N	T <sub>a</sub> = 25 ± 3°C					

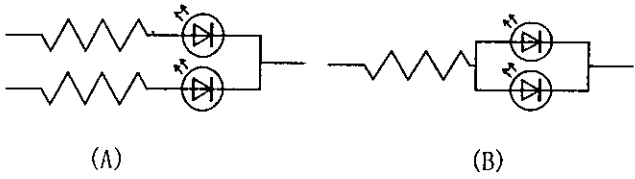
Test Specification

I t e m	Symbol	C o n d i t i o n	Typ	Limit		Unit
				Min	Max	
Forward Voltage	V <sub>F</sub>	I <sub>F</sub> = 10 mA	1.9		2.5	V
Reverse Leakage Current	I <sub>R</sub>	V <sub>R</sub> = 3 V			100	μA
Luminous Intensity *2	I <sub>O</sub>	I <sub>F</sub> = 10 mA DC	33	17.6		mcd
Peak Emission Wavelength	λ <sub>p</sub>	I <sub>F</sub> = 10 mA DC	620			nm
Spectral Line Half Width	Δλ	I <sub>F</sub> = 10 mA DC	17			nm

- \*1. The Condition of I<sub>FP</sub> is duty 10 %, Pulse width 1 ms
- \*2. Tolerance of luminous intensity: ±20%.

NOTE

- ★1. Please contact the Panasonic local office if you design at low current (below 1mA DC) or pulse current operation and have any questions.
- ★2. Soldering conditions...Refer to Handling note.
- ★3. Compositions of the lead ... Cu/Ni/Au plating
- ★4. Beware of destruction by static electricity in handling the LED.
- ★5. Circuit to operate LED.



(A) Recommended circuit.  
 (B) The difference of brightness between the LED could be found due to the V<sub>F</sub> characteristics of each LED.

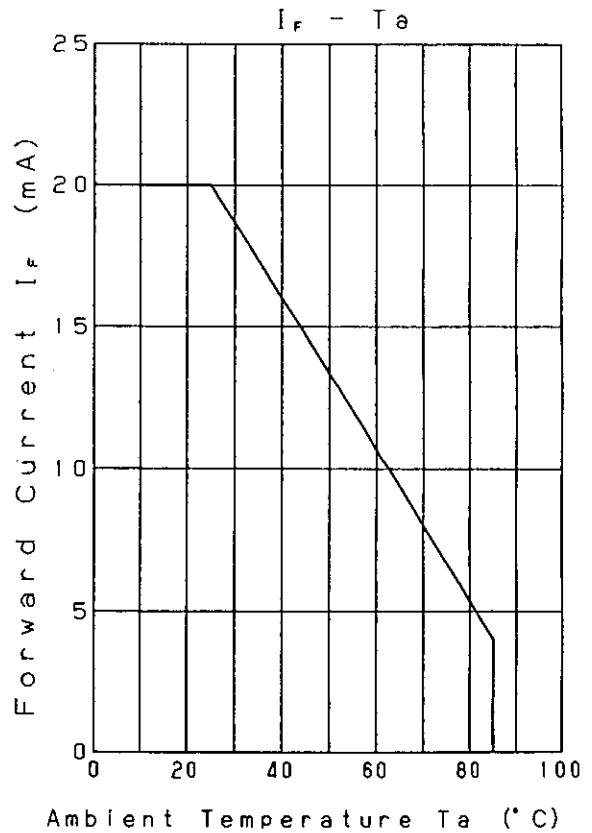
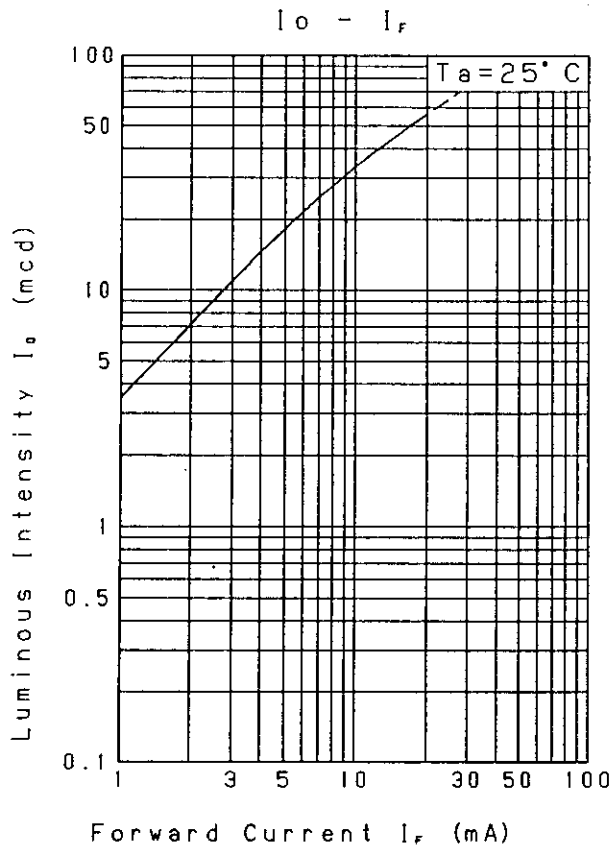
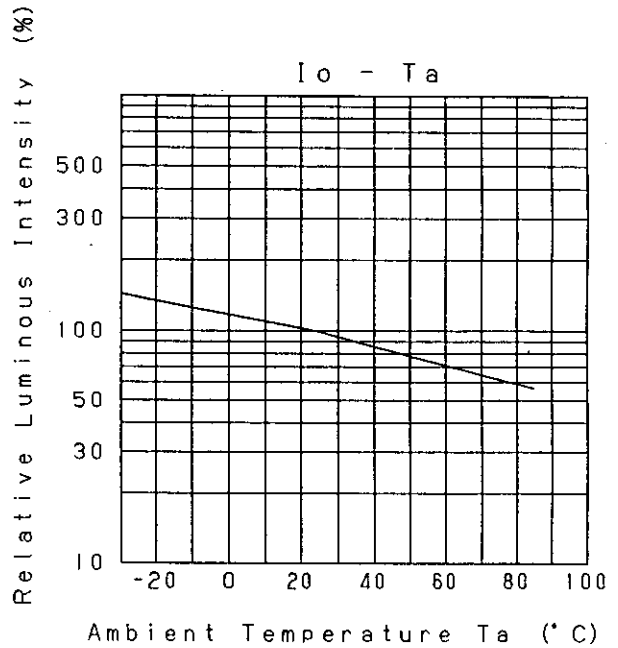
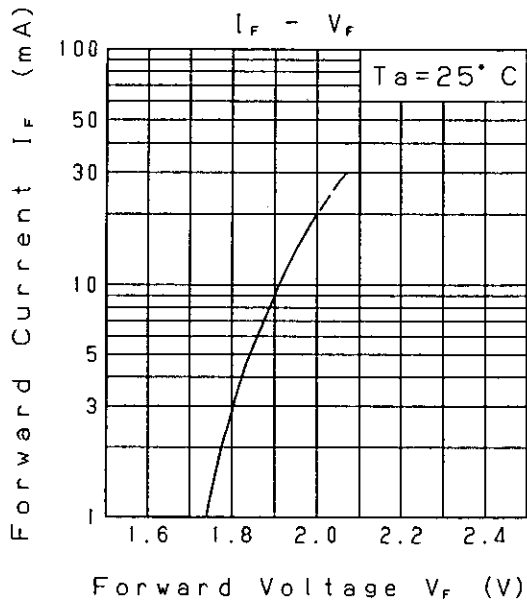
Nov. 7. 2001			

Approved	Checked	Designed
		T. Takahata

DEVELOPMENT SPECIFICATION

P/N: LNJ818C88RA

TEMPORARY



Nov. 7. 2001

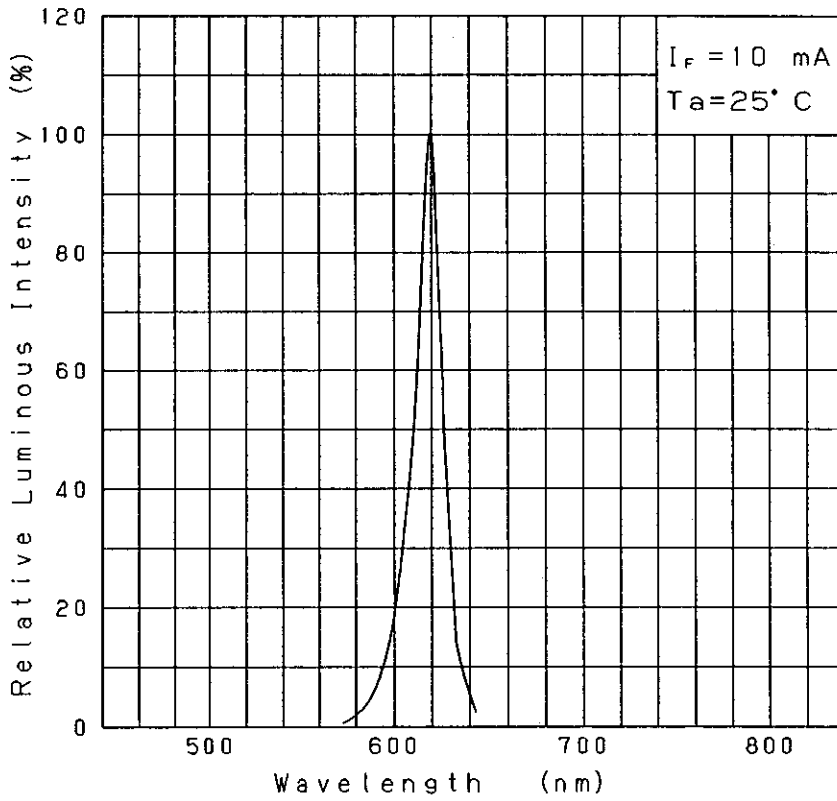
Approved	Checked	Designed
		T. Takata

DEVELOPMENT SPECIFICATION

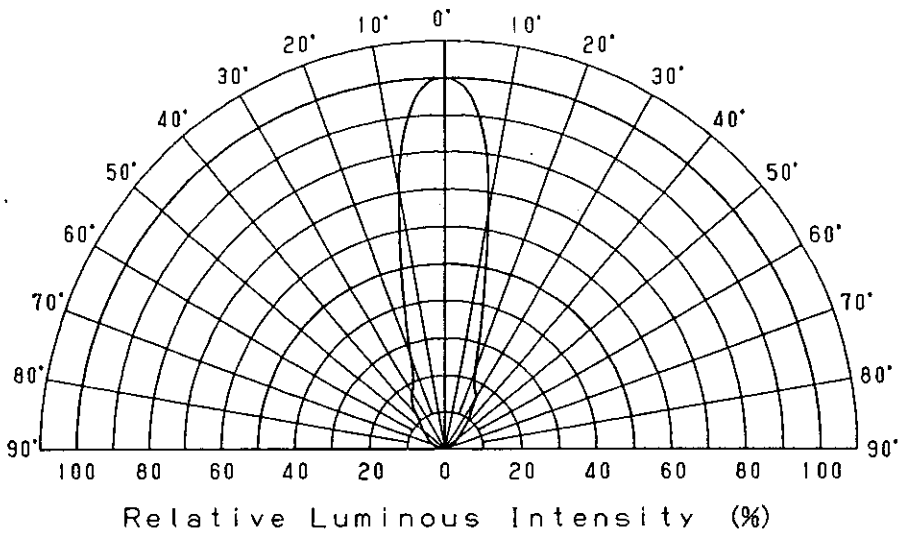
P/N: LNJ818C88RA

TEMPORARY

Relative Luminous Intensity  
Wavelength Characteristics



Directive Characteristics



Nov. 7. 2001

Approved    Checked    Designed

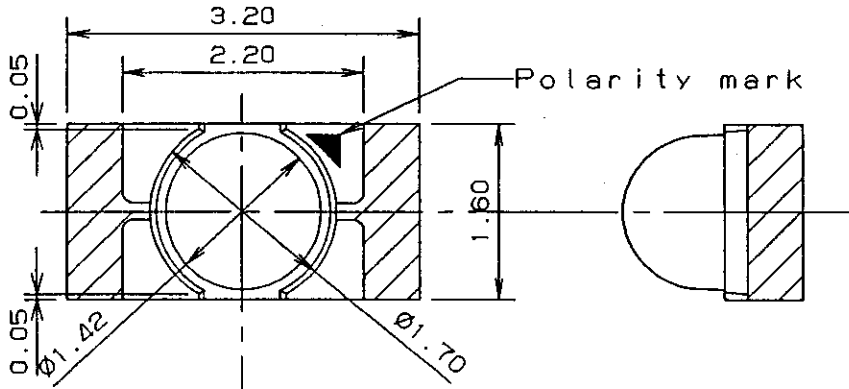
T. Shindo    h. h.    T. Tabata

# DEVELOPMENT SPECIFICATION (OUTLINE)

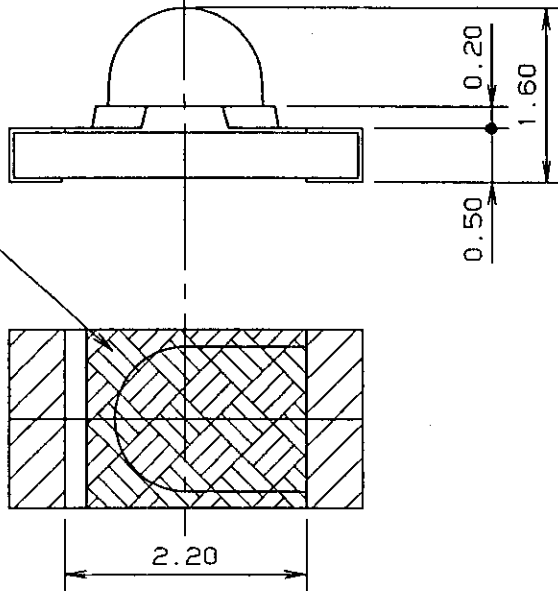
P/N: \_\_\_\_\_

TEMPORARY

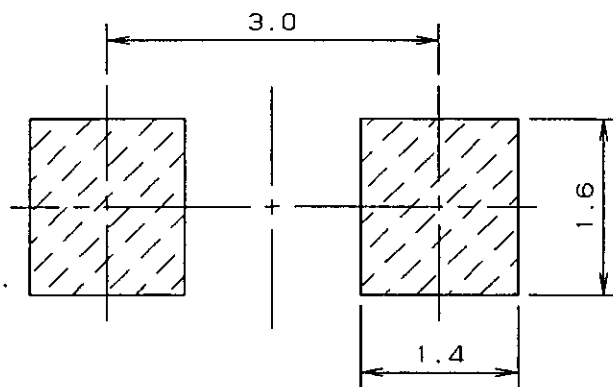
Outline



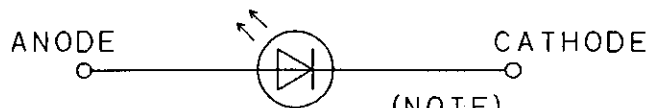
Protect mask



Recommended Land Layout



Polarity



(NOTE)

1. Unit:mm

2. Tolerance unless specified is  $\pm 0.15$ .

3. indicate Au terminal.

Jul. 5.2001