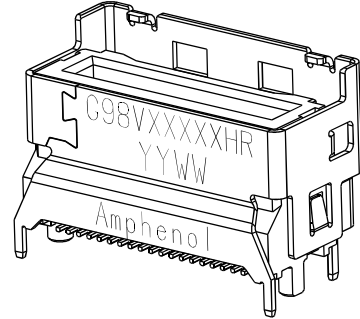
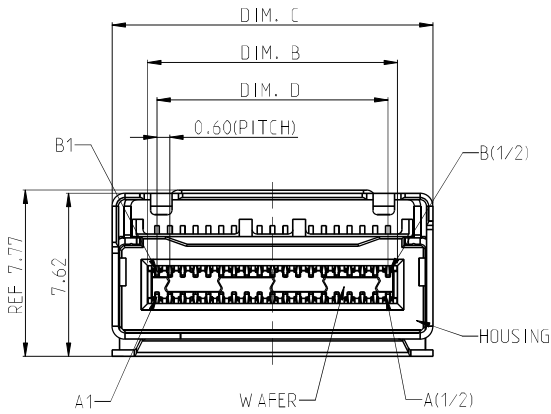


This document is the property of Amphenol Corporation and is delivered on the express condition that it is not to be disclosed, reproduced or used, in whole or in part, for manufacture or sale by anyone other than Amphenol Corporation without its prior consent, and that no right is granted to disclose or to use any information in this document.

The marking on this product doesn't contain environmental hazardous materials per directive 2011/65/EU & 2015/863/EU for RoHS compliant & per IEC 61249-2-21 for Halogen-Free compliant.

REVISIONS				
SYM	ECN No.	DESCRIPTION	DATE	BY
AX8	NA	CORRECT DIMENSION TABLE FOR 100PINS	08/28/2020	JOAN LU
AX9	NA	1. ADDED DIMENSION SPEC FOR G98VXXXXXHR 2. ADDED TABLE 1 FOR PLASTIC COLOR	09/08/2020	JOAN LU
AX10	NA	ADDED RECOMMENDED AIC MATING CARD DIMENSIONS	10/16/2020	JOAN LU
AX11	NA	UPDATED PART NUMBER SYSTEM	01/14/2021	JOAN LU



MINI COOL EDGE IO  
INTEGRATED CONNECTOR

VERTICAL TYPE

CONNECTOR SPEED  
1 : PAM4 56G, 950HM

CHANNEL/PIN QTY:  
1: 4X+SB/38P  
2: 8X+SB/74P  
4: 16X+SB/124P  
5: 8X/50P  
6: 16X+SB/148P  
B: 12X/74P  
D: 20X/124P  
F: 24X/148P  
H: 16X/100P

CONTACT FINISH  
2: 15u" GOLD  
3: 30u" GOLD

COMPLIANT CODE  
HR: HALOGEN-FREE & RoHS

VARIATION CODE  
BLANK: STANDARD

PACKING CODE  
2: TAPE AND REEL(WITH CAP)

SHELL PIN LENGTH OPTION(DIM.A)  
1: 1.50mm  
2: 2.20mm  
3: 3.00mm  
4: 4.20mm

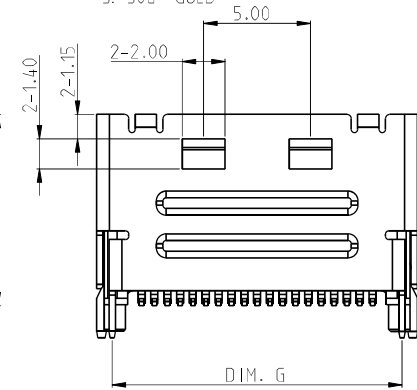
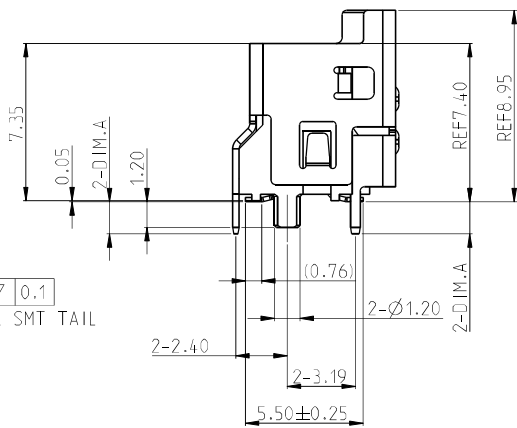
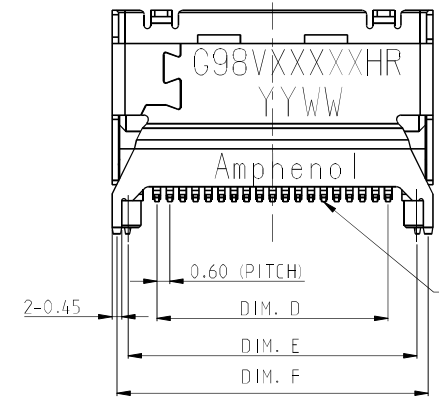


TABLE 1

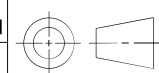
PN	WAFER COLOR	
G98VX1XXXXHR G98VX2XXXXHR G98VX4XXXXHR G98VX5XXXXHR G98VX6XXXXHR G98VXHXXXXHR	BLACK	
G98VXBXXXXHR G98VXFXXXXHR	NATURE	
G98VXDXXXXHR	A1-A37 B1-B37	NATURE
	A38-A62 B38-B62	BLACK

PART NUMBER	POS. (N)	DIM. B	DIM. C	DIM. D	DIM. E	DIM. F	DIM. G
G98VX1XXXXHR	38	11.68	15.00	10.80	13.50	14.55	13.55
G98VX5XXXXHR	50	15.28	18.60	14.40	17.10	18.15	17.15
G98VX2XXXXHR	74	22.48	25.8	21.60	24.30	25.35	24.35
G98VXBXXXXHR							

NOTES:  
1. MATERIALS:  
PLASTICS : HIGH TEMPERATURE THERMOPLASTIC UL94-0.  
HOUSING COLOR: NATURE, WAFER COLOR: SEE TABLE 1  
SHELL : STAINLESS  
CONTACT: COPPER ALLOY

2. FINISH  
TERMINAL : CONTACT AREA : SELECTED GOLD PLATING.  
SOLDER AREA : MATTE TIN PLATING 100u"  
UNDER PLATING: NICKEL PLATING 50u"MIN OVER ALL  
SHELL : UNDER PLATING: ELECTROLESS NICKEL PLATING 50u"MIN OVER ALL  
3. THIS PRODUCT DOESN'T CONTAIN ENVIRONMENTAL HAZARDOUS MATERIALS PER DIRECTIVE 2011/65/EC&2015/863/EU FOR RoHS AND PER IEC 61249-2-21 FOR HALOGEN FREE.  
4. PRODUCT SPEC REFER TO PS-7793.

TOLERANCE	DRAWN APPROVALS	DATE	TITLE		PART No.	
X. X.X X.XX X.XXX	DESIGNED <b>Joan Lu</b>	01/15/2021	MINI COOL EDGE IO INTEGRATED CONNECTOR 0.6 PITCH, VERTICAL STANDARD. SMT TYPE		G98VXXXXXHR	
ANGULAR ±2°	CHECKED <b>Sondra Sang</b>	01/15/2021	UNIT mm		SIZE A3	
UNLESS OTHERWISE SPECIFIED	APPROVED <b>Hank Hsu</b>	01/15/2021	SCALE NA		SHEET 1 OF 7	
	DWG TYPE CUST DWG	PROJECT CODE TXXX	DWG No.		G98VXXXXXHR	
			REV.		AX11	

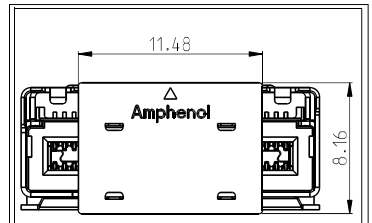
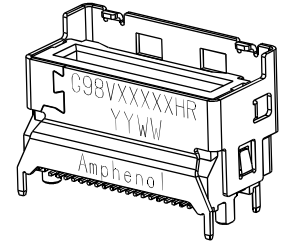
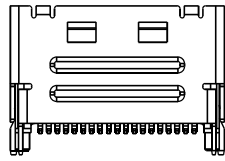
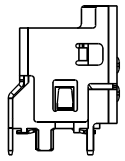
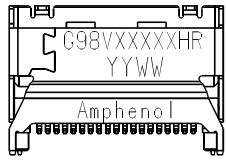


This document is the property of Amphenol Corporation and is delivered on the express condition that is not to be disclosed, reproduced or used, in whole or in part, for manufacture or sale by anyone other than Amphenol Corporation without its prior consent, and that no right is granted to disclose or to use any information in this document.

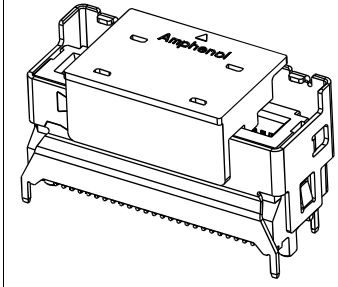
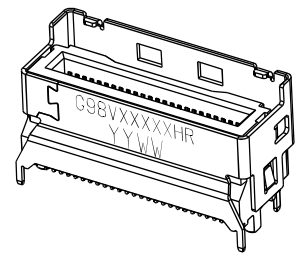
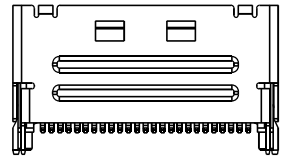
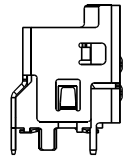
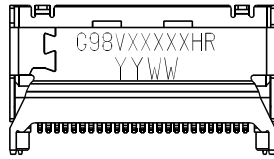
The marking on this product doesn't contain environmental hazardous materials per directive 2011/65/EU & 2015/863 for RoHS compliant & per IEC 61249-2-21 for Halogen-Free compliant.

REVISIONS				
SYM	ECN No.	DESCRIPTION	DATE	BY
AX8	NA	CORRECT DIMENSION TABLE FOR 100PINS	08/28/2020	JOAN LU
AX9	NA	1. ADDED DIMENSION SPEC FOR G98VXXXXXHR 2. ADDED TABLE 1 FOR PLASTIC COLOR	09/08/2020	JOAN LU
AX10	NA	ADDED RECOMMENDED AIC MATING CARD DIMENSIONS	10/16/2020	JOAN LU
AX11	NA	UPDATED PART NUMBER SYSTEM	01/14/2021	JOAN LU

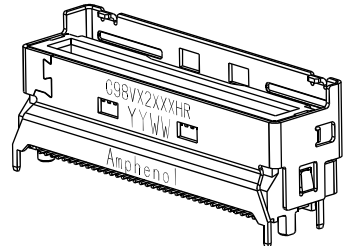
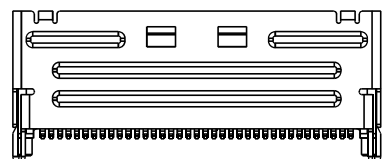
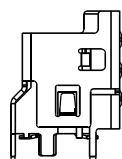
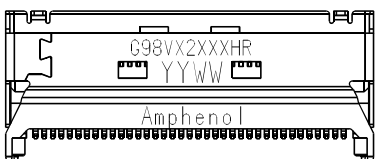
G98VX1XXXHR



G98VX5XXXHR



G98VX2XXXHR



CAP DIMENSION  
APPLICABLE PART NUMBER  
G98VX1XX2HR  
G98VX2XX2HR  
G98VX5XX2HR  
G98VBXX2HR

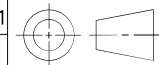


TOLERANCE	DRAWN APPROVALS	DATE	TITLE
X. ±0.30	DESIGNED Joan Lu	01/15/2021	MINI COOL EDGE 10 INTEGRATED CONNECTOR 0.6 PITCH, VERTICAL STANDARD, SMT TYPE
X.XX ±0.20	CHECKED Sondra Sang	01/15/2021	
X.XXX ±0.10	APPROVED Hank Hsu	01/15/2021	
ANGULAR ±2°	DWG TYPE CUST DWG	PROJECT CODE TXXX	

UNIT	SIZE	PART No.
MM	A3	G98VXXXXXHR
SCALE NA	SHEET 2 OF 7	DWG No. G98VXXXXXHR

**Amphenol®**  
Amphenol Corporation  
Amphenol Taiwan Corporation

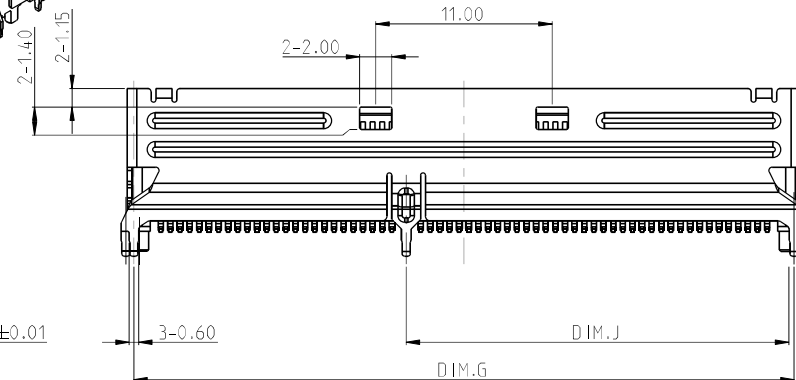
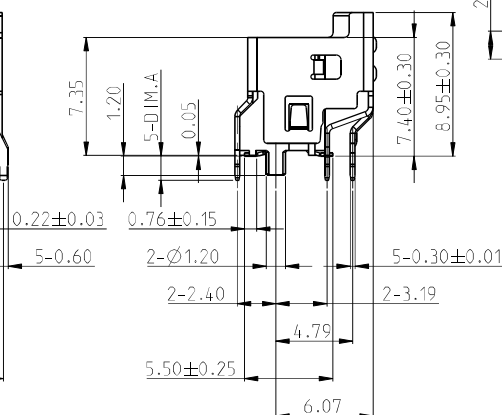
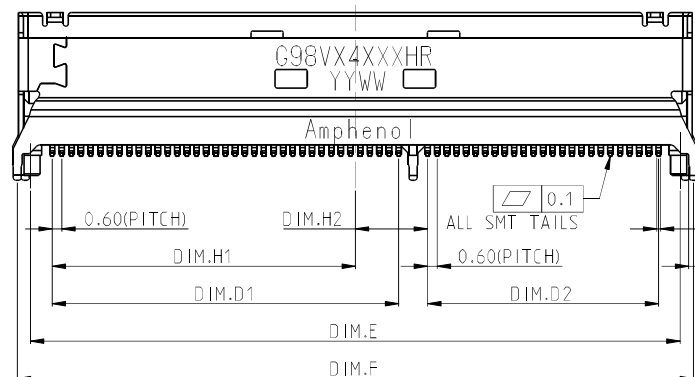
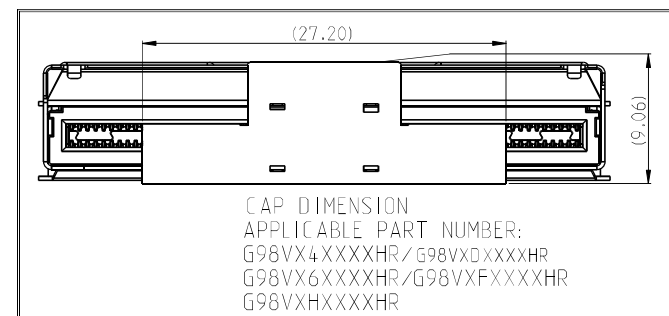
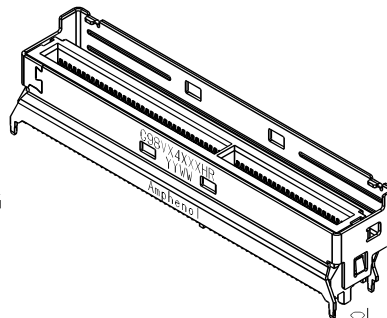
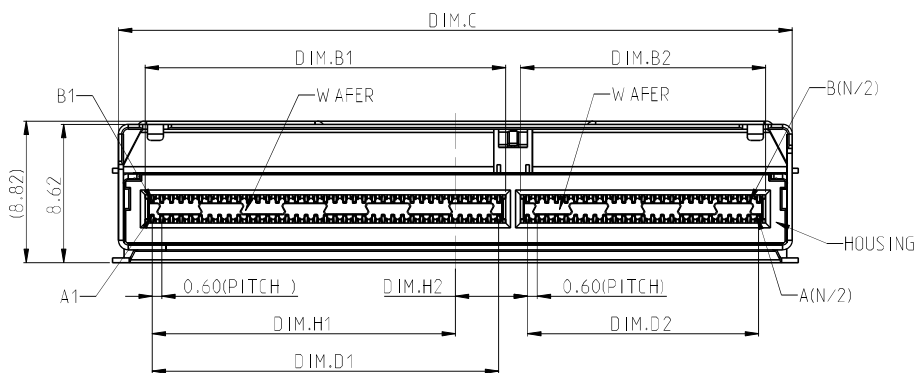
REV. AX11



This document is the property of Amphenol Corporation and is delivered on the express condition that it is not to be disclosed, reproduced or used, in whole or in part, for manufacture or sale by anyone other than Amphenol Corporation without its prior consent, and that no right is granted to disclose or to use any information in this document.

The marking on this product doesn't contain environmental hazardous materials per directive 2011/65/EU & 2015/863 for RoHS compliant & per IEC 61249-2-21 for Halogen-Free compliant.

REVISIONS				
SYM	ECN No.	DESCRIPTION	DATE	BY
AX8	NA	CORRECT DIMENSION TABLE FOR 100PINS	08/28/2020	JOAN LU
AX9	NA	1. ADDED DIMENSION SPEC FOR G98VXXXXHR 2. ADDED TABLE 1 FOR PLASTIC COLOR	09/08/2020	JOAN LU
AX10	NA	ADDED RECOMMENDED AIC MATING CARD DIMENSIONS	10/16/2020	JOAN LU
AX11	NA	UPDATED PART NUMBER SYSTEM	01/14/2021	JOAN LU



PART NUMBER	POS. (N)	DIM. B1	DIM. B2	DIM. C	DIM. D1	DIM. D2	DIM. E	DIM. F	DIM. G	DIM. H1	DIM. H2	DIM. J
G98VX4XXXXHR	124	22.48	15.28	42.00	21.60	14.40	40.50	42.15	41.15	18.90	4.50	23.85
G98VXDXXXXHR												
G98VX6XXXXHR	148	22.48	22.48	49.20	21.60	21.60	47.70	49.35	48.35	22.50	0.90	23.85
G98VXFXXXXHR												
G98VXHXXXXHR	100	15.28	15.28	34.80	14.40	14.40	33.30	34.95	33.95	15.30	0.90	16.65



TOLERANCE	APPROVALS	DATE	TITLE		PART No.	
X. ±0.30	DESIGNED <b>Joan Lu</b>	01/15/2021	MINI COOL EDGE IO INTEGRATED CONNECTOR 0.6 PITCH, VERTICAL STANDARD. SMT TYPE		<b>Amphenol®</b> Amphenol Corporation Amphenol Taiwan Corporation	
X.X ±0.20	CHECKED <b>Sondra Sang</b>	01/15/2021				
X.XX ±0.10	APPROVED <b>Hank Hsu</b>	01/15/2021		UNIT	SIZE	PART No. G98VXXXXXHR
ANGULAR ±2°	DWG TYPE <b>CUST DWG</b>	PROJECT CODE <b>TXXX</b>		MM	A3	
UNLESS OTHERWISE SPECIFIED			SCALE	SHEET	DWG No.	REV.
			NA	3 OF 7	G98VXXXXXHR	AX11

This document is the property of Amphenol Corporation and is delivered on the express condition that it is not to be disclosed, reproduced or used, in whole or in part, for manufacture or sale by anyone other than Amphenol Corporation without its prior consent, and that no right is granted to disclose or to use any information in this document.

The marking on this product doesn't contain environmental hazardous materials per directive 2011/65/EU & 2015/863 for RoHS compliant & per IEC 61249-2-21 for Halogen-Free compliant.

RECOMMENDED PCB LAYOUT  
(GENERAL TOLERANCES :+/-0.05)

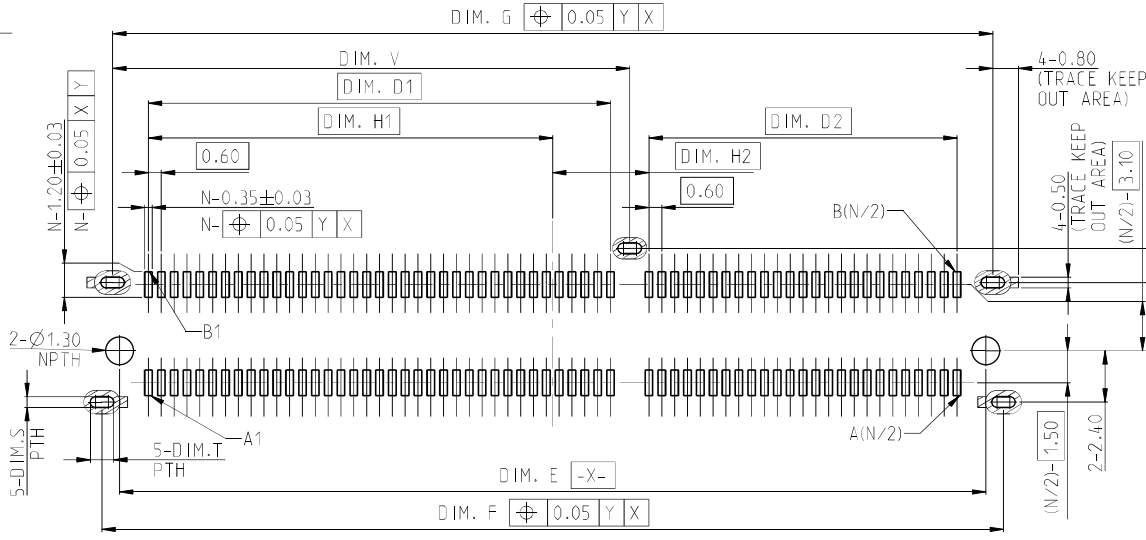
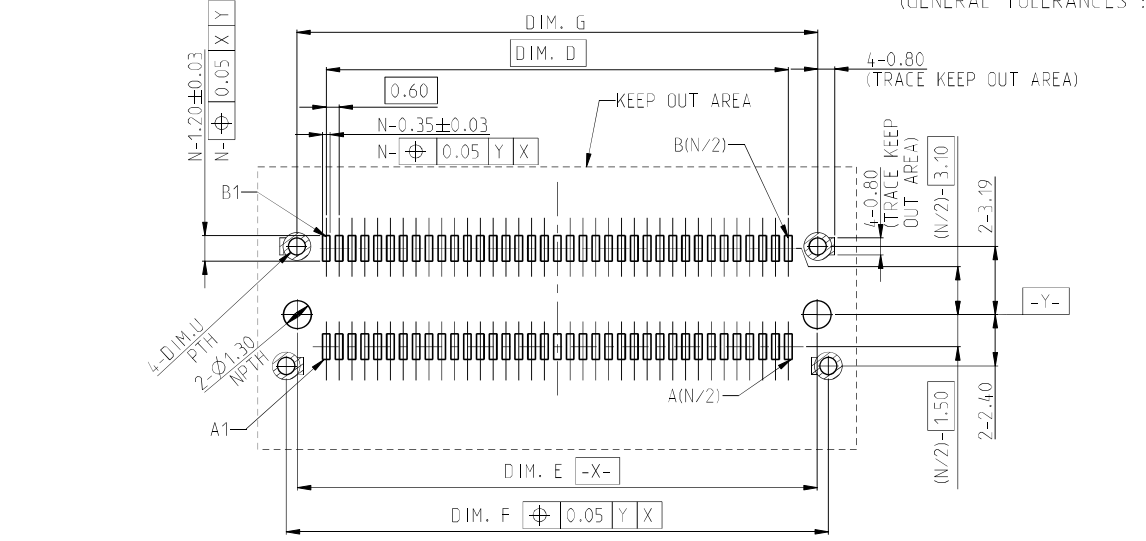
REVISIONS				
SYM	ECN No.	DESCRIPTION	DATE	BY
AX8	NA	CORRECT DIMENSION TABLE FOR 100PINS	08/28/2020	JOAN LU
AX9	NA	1. ADDED DIMENSION SPEC FOR G98VXXXXHR 2. ADDED TABLE 1 FOR PLASTIC COLOR	09/08/2020	JOAN LU
AX10	NA	ADDED RECOMMENDED AIC MATING CARD DIMENSIONS	10/16/2020	JOAN LU
AX11	NA	UPDATED PART NUMBER SYSTEM	01/14/2021	JOAN LU

PART NUMBER	POS. (N)	DIM. D	DIM. E	DIM. F	DIM. G
G98VX1XXXXHR	38	10.80	13.50	14.55	13.55
G98VX5XXXXHR	50	14.40	17.10	18.15	17.15
G98VX2XXXXHR	74	21.60	24.30	25.35	24.35
G98VXXXXHR					

PART NUMBER (APPLY TO 38P/74P/50P)	DIM. U
G98VXXXX1XHR	0.8
G98VXXXX2XHR	
G98VXXXX3XHR	
G98VXXXX4XHR	0.95

PART NUMBER	POS. (N)	DIM. D1	DIM. D2	DIM. E	DIM. F	DIM. G	DIM. H1	DIM. H2	DIM. V
G98VX4XXXXHR	124	21.60	14.40	40.50	42.15	41.15	18.90	4.50	24.175
G98VXDXXXXHR									
G98VX6XXXXHR	148	21.60	21.60	47.70	49.35	48.35	22.50	0.90	24.175
G98VFXXXXXHR									
G98VXHXXXXHR	100	14.40	14.40	33.30	34.95	33.95	15.30	0.90	16.975

PART NUMBER	POS. (N)	DIM. S	DIM. T
G98VX4XX1XHR/G98VXDXX1XHR	124	0.5	1.1
G98VX4XX2XHR/G98VXDXX2XHR			
G98VX4XX3XHR//G98VXDXX3XHR			
G98VX4XX4XHR//G98VXDXX4XHR	148	0.65	1.3
G98VX6XXXXHR			
G98VFXXXXXHR	100	0.5	1.1
G98VXHXXXXHR			



TOLERANCE	APPROVALS	DATE
X. ±0.30	DESIGNED <b>Joan Lu</b>	01/15/2021
X.XX ±0.20	CHECKED <b>Sondra Sang</b>	01/15/2021
X.XXX ±0.10	APPROVED <b>Hank Hsu</b>	01/15/2021
ANGULAR ±2°	DWG TYPE <b>CUST DWG</b>	PROJECT CODE <b>TXXX</b>

TITLE  
MINI COOL EDGE 10  
INTEGRATED CONNECTOR  
0.6 PITCH, VERTICAL  
STANDARD. SMT TYPE

UNIT: mm  
SCALE: NA

**Amphenol®**  
Amphenol Corporation  
Amphenol Taiwan Corporation

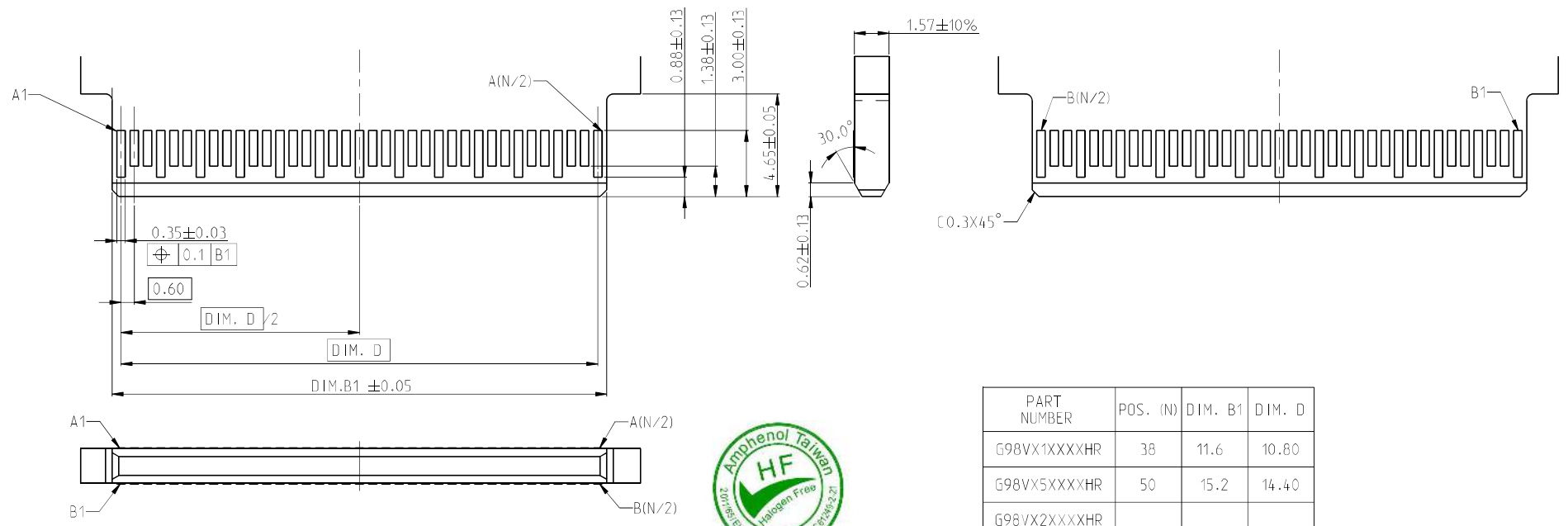
PART No. **G98VXXXXXHR**  
SHEET 4 OF 7  
DWG No. **G98VXXXXXHR**  
REV. **AX11**

This document is the property of Amphenol Corporation and is delivered on the express condition that is not to be disclosed, reproduced or used, in whole or in part, for manufacture or sale by anyone other than Amphenol Corporation without its prior consent, and that no right is granted to disclose or to use any information in this document.

The marking on this product doesn't contain environmental hazardous materials per directive 2011/65/EU & 2015/863 for RoHS compliant & per IEC 61249-2-21 for Halogen-Free compliant.

REVISIONS				
SYM	ECN No.	DESCRIPTION	DATE	BY
AX8	NA	CORRECT DIMENSION TABLE FOR 100PINS	08/28/2020	JOAN LU
AX9	NA	1. ADDED DIMENSION SPEC FOR G98VXXXXHR 2. ADDED TABLE 1 FOR PLASTIC COLOR	09/08/2020	JOAN LU
AX10	NA	ADDED RECOMMENDED AIC MATING CARD DIMENSIONS	10/16/2020	JOAN LU
AX11	NA	UPDATED PART NUMBER SYSTEM	01/14/2021	JOAN LU

RECOMMENDED AIC MATING CARD DIMENSIONS



PART NUMBER	POS. (N)	DIM. B1	DIM. D
G98VX1XXXXHR	38	11.6	10.80
G98VX5XXXXHR	50	15.2	14.40
G98VX2XXXXHR	74	22.4	21.6
G98VXBXXXXHR			

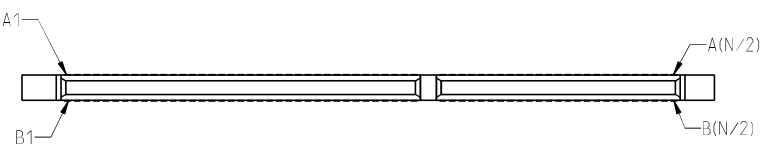
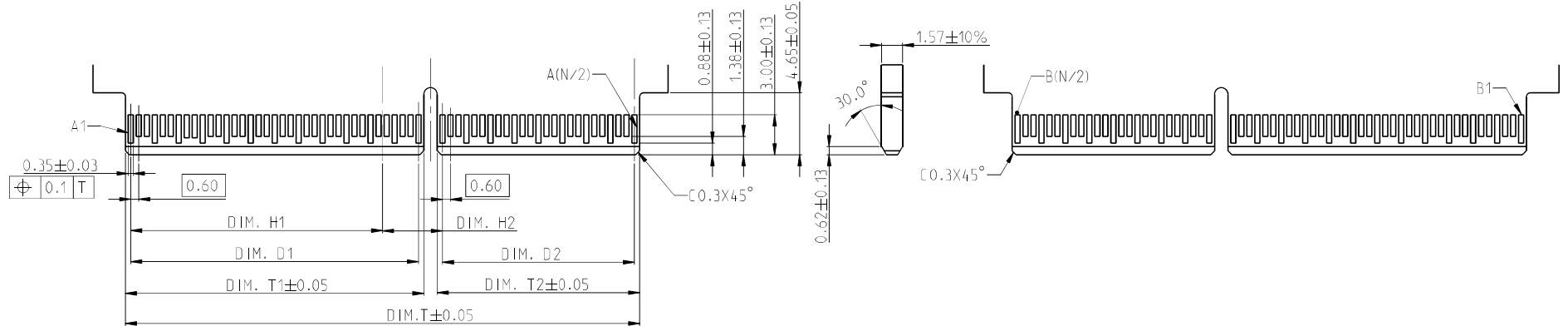
TOLERANCE	APPROVALS	DATE	TITLE	Amphenol® Amphenol Corporation Amphenol Taiwan Corporation		
X. ±0.30	DESIGNED <b>Joan Lu</b>	01/15/2021	MINI COOL EDGE IO INTEGRATED CONNECTOR 0.6 PITCH, VERTICAL STANDARD. SMT TYPE	UNIT mm	SIZE A3	PART No. G98VXXXXXXHR
X.X ±0.20	CHECKED <b>Sondra Sang</b>	01/15/2021				
X.XX ±0.10	APPROVED <b>Hank Hsu</b>	01/15/2021	UNLESS OTHERWISE SPECIFIED	SCALE NA	SHEET 5 OF 7	DWG No. G98VXXXXXXHR
ANGULAR ±2°	DWG TYPE CUST DWG	PROJECT CODE T631				

This document is the property of Amphenol Corporation and is delivered on the express condition that it is not to be disclosed, reproduced or used, in whole or in part, for manufacture or sale by anyone other than Amphenol Corporation without its prior consent, and that no right is granted to disclose or to use any information in this document.

The marking on this product doesn't contain environmental hazardous materials per directive 2011/65/EU & 2015/863 for RoHS compliant & per IEC 61249-2-21 for Halogen-Free compliant.

REVISIONS				
SYM	ECN No.	DESCRIPTION	DATE	BY
AX8	NA	CORRECT DIMENSION TABLE FOR 100PINS	08/28/2020	JOAN LU
AX9	NA	1. ADDED DIMENSION SPEC FOR G98VXXXXHR 2. ADDED TABLE 1 FOR PLASTIC COLOR	09/08/2020	JOAN LU
AX10	NA	ADDED RECOMMENDED AIC MATING CARD DIMENSIONS	10/16/2020	JOAN LU
AX11	NA	UPDATED PART NUMBER SYSTEM	01/14/2021	JOAN LU

RECOMMENDED AIC MATING CARD DIMENSIONS



PART NUMBER	POS. (N)	DIM. D1	DIM. D2	DIM. H1	DIM. H2	DIM. T	DIM. T1	DIM. T2
G98VX4XXXXHR	124	21.60	14.40	18.90	4.50	38.6	22.4	15.2
G98VXDXXXXHR								
G98VX6XXXXHR	148	21.60	21.60	22.50	0.90	45.8	22.4	22.4
G98VXFXXXXHR								
G98VXHXXXXHR	100	14.40	14.40	15.30	0.90	31.40	15.20	15.20

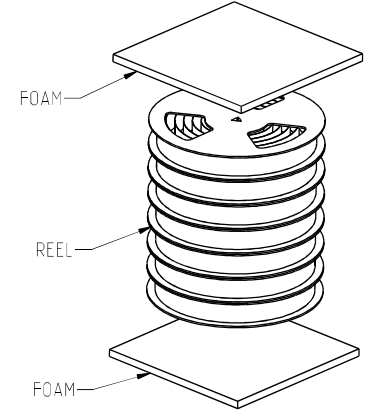
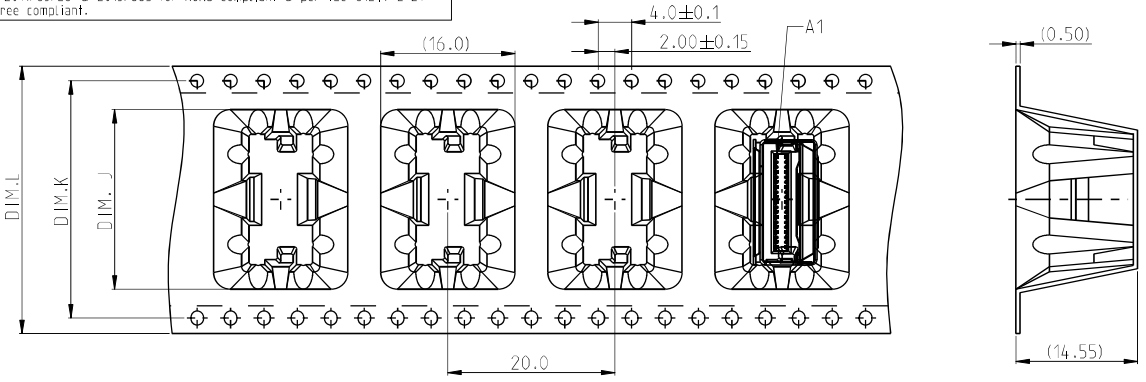


TOLERANCE	APPROVALS	DATE	TITLE	Amphenol®		
X. ±0.30	DESIGNED <b>Joan Lu</b>	01/15/2021	MINI COOL EDGE 10 INTEGRATED CONNECTOR 0.6 PITCH, VERTICAL STANDARD. SMT TYPE	Amphenol Corporation Amphenol Taiwan Corporation		
X.X ±0.20	CHECKED <b>Sondra Sang</b>	01/15/2021				
X.XXX ±0.10	APPROVED <b>Hank Hsu</b>	01/15/2021				
ANGULAR ±2°	DWG TYPE <b>CUST DWG</b>	PROJECT CODE <b>T631</b>		UNIT <b>mm</b>	SIZE <b>A3</b>	PART No. <b>G98VXXXXXHR</b>
UNLESS OTHERWISE SPECIFIED				SCALE <b>NA</b>	SHEET <b>6 OF 7</b>	DWG No. <b>G98VXXXXXHR</b>
						REV. <b>AX11</b>

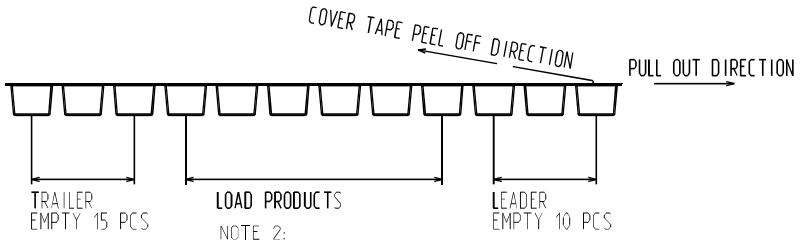
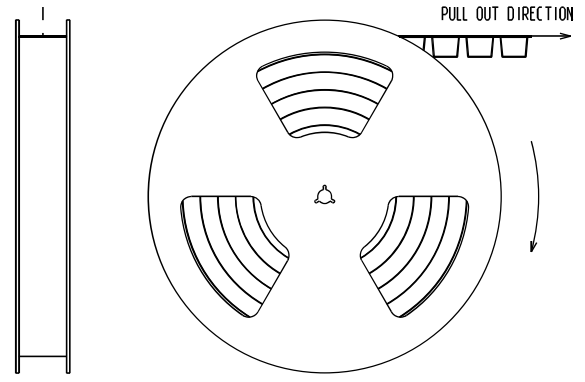
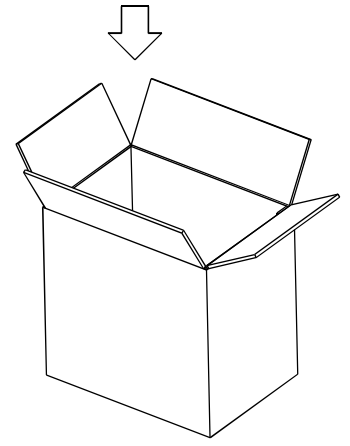
This document is the property of Amphenol Corporation and is delivered on the express condition that it is not to be disclosed, reproduced or used, in whole or in part, for manufacture or sale by anyone other than Amphenol Corporation without its prior consent, and that no right is granted to disclose or to use any information in this document.

The marking on this product doesn't contain environmental hazardous materials per directive 2011/65/EU & 2015/863 for RoHS compliant & per IEC 61249-2-21 for Halogen-Free compliant.

REVISIONS				
SYM	ECN No.	DESCRIPTION	DATE	BY
AX8	NA	CORRECT DIMENSION TABLE FOR 100PINS	08/28/2020	JOAN LU
AX9	NA	1. ADDED DIMENSION SPEC FOR G98VXXXXHR 2. ADDED TABLE 1 FOR PLASTIC COLOR	09/08/2020	JOAN LU
AX10	NA	ADDED RECOMMENDED AIC MATING CARD DIMENSIONS	10/15/2020	JOAN LU
AX11	NA	UPDATED PART NUMBER SYSTEM	01/14/2021	JOAN LU



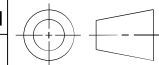
PART NUMBER	POS. (N)	DIM. J	DIM. K	DIM. L	REEL (Q'TY)	CARTON (PCS)
G98VX1XXXXHR	38	(21.5)	28.4±0.1	32.0±0.3	7	1400
G98VX5XXXXHR	50	(27.7)	40.4±0.1	44.0±0.3	5	1000
G98VX2XXXXHR	74	(34.0)	52.4±0.1	56.0±0.3	4	800
G98VBXXXXHR						
G98VHXXXXHR	100	(43.5)	52.4±0.1	56.0±0.3	4	800
G98VX4XXXXHR	124	(50.7)	68.40±0.1	72.0±0.3	3	600
G98VXDXXXXHR						
G98VX6XXXXHR	148	(57.9)	68.40±0.1	72.0±0.3	3	600
G98VFXXXXXHR						



- NOTE 2:  
 1. CARTON SIZE 340L X 340W X 265H  
 2. PREFER TO AMTA LABELING STANDARD.  
 3. CARTON CLOSURES MUST BE SEALS WITH TAPE.

NOTE 1:  
 1. MATERIAL:  
 CARRIER TAPE: POLYSTYRENE, BLACK  
 COVER TAPE: TRANSPARENT POLYSTYRENE  
 REEL: POLYSTYRENE, BLACK  
 2. ALL TAPE AND REEL SPECIFICATION FOLLOW EIA-481 STANDARD.  
 3. THIS PRODUCT DOESN'T CONTAIN ENVIRONMENTAL HAZARDOUS MATERIALS PER DIRECTIVE 2011/65/EC & 2015/863/EU FOR RoHS AND PER IEC 61249-2-21 FOR HALOGEN FREE

TOLERANCE	DRAWN	APPROVALS	DATE	TITLE	UNIT	SIZE	PART No.			
X. X.X ±0.30 X.XX ±0.20 X.XXX ±0.10	DESIGNED	Joan Lu	01/15/2021	MINI COOL EDGE 10 INTEGRATED CONNECTOR 0.6 PITCH, VERTICAL STANDARD, SMT TYPE	MM	A3	G98VXXXXXHR			
	CHECKED	Sondra Sang	01/15/2021							
ANGULAR ±2°	APPROVED	Hank Hsu	01/15/2021							
UNLESS OTHERWISE SPECIFIED	DWG TYPE	CUST DWG	PROJECT CODE	TXXX	SCALE	NA	DWG No.	G98VXXXXXHR	REV.	AX11



SHEET 7 OF 7

Amphenol®  
 Amphenol Corporation  
 Amphenol Taiwan Corporation