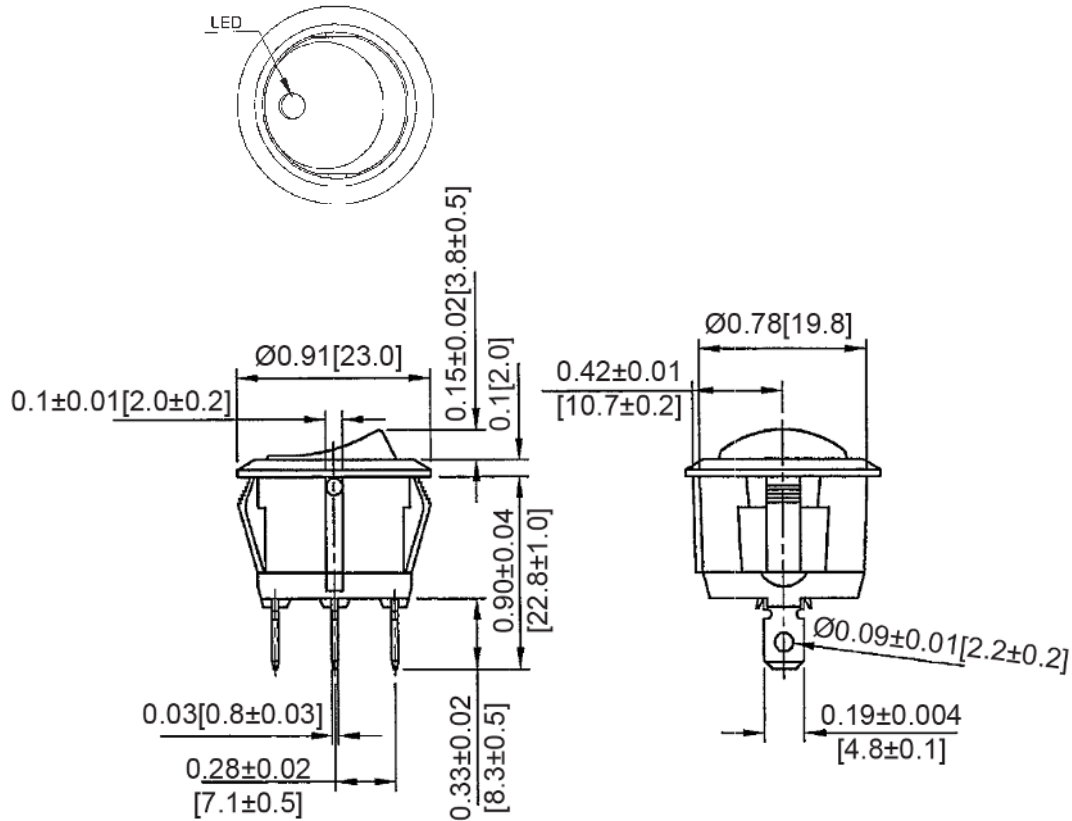
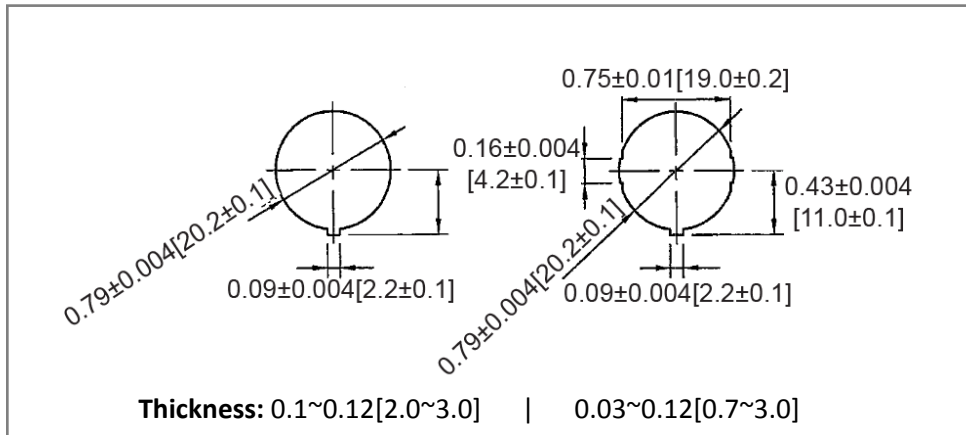


Mechanical Dimensions: Inches [mm]

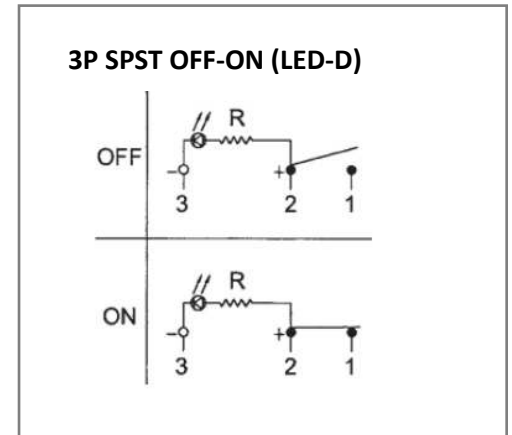
Tolerances ± 0.012 [0.3] Unless Otherwise Specified



Mounting Hole



Circuit Diagram



Electrical Specifications

Rating	20A 14V DC
Contact Resistance	50m ohm Max
Insulation Resistance	DC 500V 100M ohm Min
Dielectric Strength	AC 1500V 1 minute
Operation Temperature	-25°C ~ 85°C

Material Specifications

Frame	Black, Nylon 66 (94-V2)
Actuator	Black, Nylon 66 (94-V2)
LED	Yellow (dependent)
Terminals	Copper alloy , Silver plated

Rev **Date of issue** **Revision Notes**

Designed **Approved**

B	07-13-2021	Initial Drawing	RC	OF
---	------------	-----------------	----	----