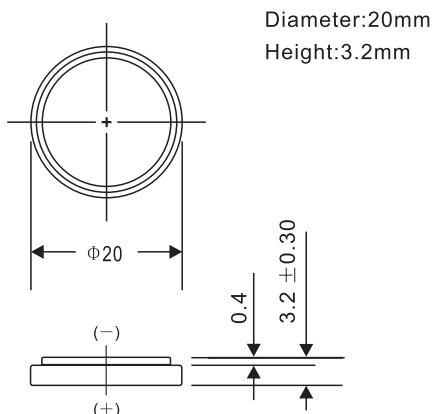


3V Lithium Manganese Dioxide Button Cell Data Sheet

Dimensions(mm)

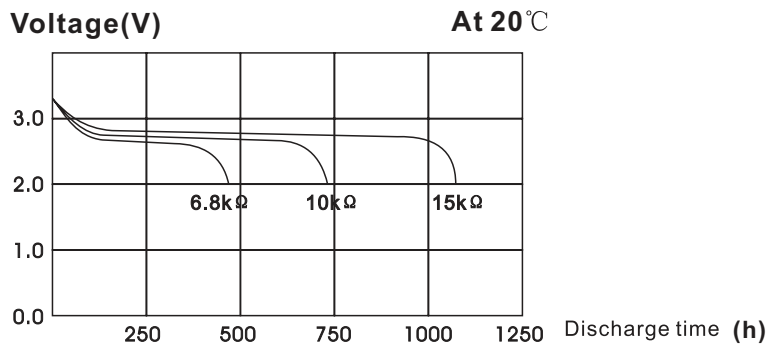


Property:

Normal Voltage: 3V
Nominal Capacity: 210mAh
Recommended Continuous Drain: 0.2mA
Recommended Pulse Drain: 15mA
Standard Load: 15k Ω

CR2032

Discharge Characteristics on Load



Discharge Characteristics on Temperature

