

Materials

1. Contact: zinc, 1-1.5 µm nickel plated
2. Shell: stainless steel, 1-2 µm nickel plated
3. Insulator: POM, black
4. Insulation paper: micarex, natural color
5. Screw: stainless steel

Ratings

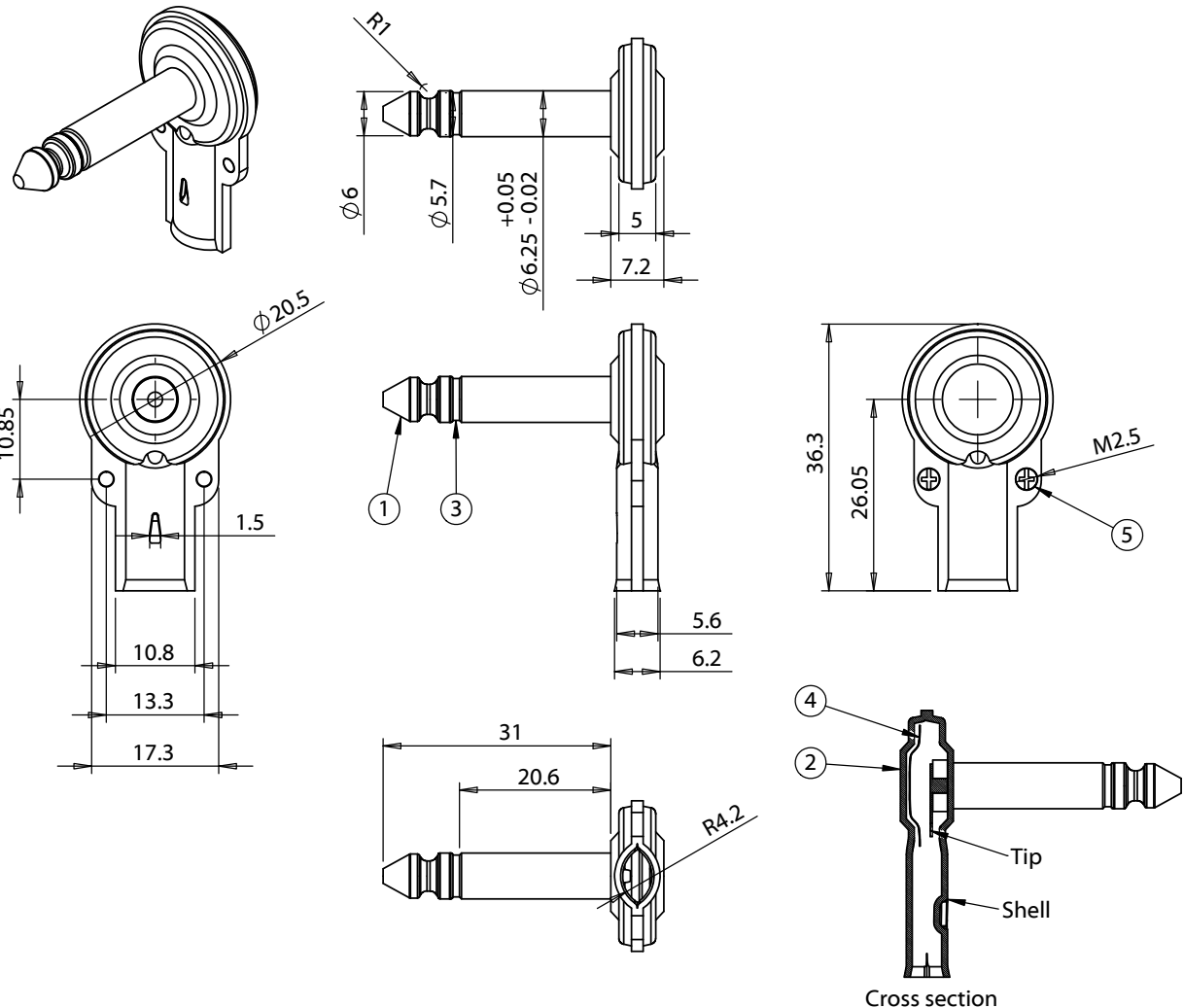
Operating temperature: -30°C ~60°C
 Current rating: 10 A @ 250 Vac, 10 A @ 500 Vdc

Electrical requirements

Withstand voltage: 500 - 2000 Vac, 800 Vdc
 Insulation resistance: ≥ 100 MΩ
 Contact resistance: ≤ 20 mΩ

Mechanical requirements

Insertion force: 1.0 - 2.0 kgf
 Withdrawal force: 1.0 - 2.0 kgf



REVISION	DATE	DESCRIPTION
A	3/12/14	Initial release

PREPARED:
 JM
 2014.03.13 10:29:56 -07'00'

VERIFIED:
LA
Digitally signed by LA
 DN: cn=LA, o=Tensility, inc.
 email=QA@Tensility.com, c=US
 Date: 2014.03.13 12:08:50 -07'00'

DIMENSIONS ARE IN MILLIMETERS

TOLERANCES:
 X: ± 0.5 mm
 X.X: ± 0.3 mm
 X.XX: ± 0.05 mm

NOTES
 RoHS compliant

Function test: no open, no short circuit, no INT

Tip and ring solder contact orientation may vary. This doesn't affect the function or performance of the connector.

DESCRIPTION:
 Connector, mono plug, 6.3 mm, right angle, shielded handle, assembly type

TENSILITY

20802 Sockeye Place #130
 Bend, OR 97701 USA
 tel 541.323.3228 fax 541.323.4202
 800 877.670.7118 www.tensility.com

SIZE	PART NUMBER
A	50-00423

SCALE: 1:1	WEIGHT:	SHEET 1 OF 1
------------	---------	--------------