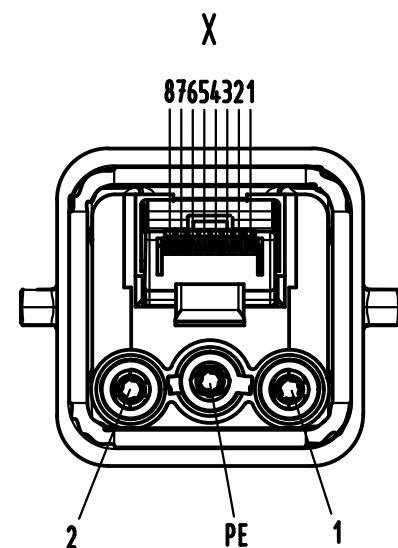
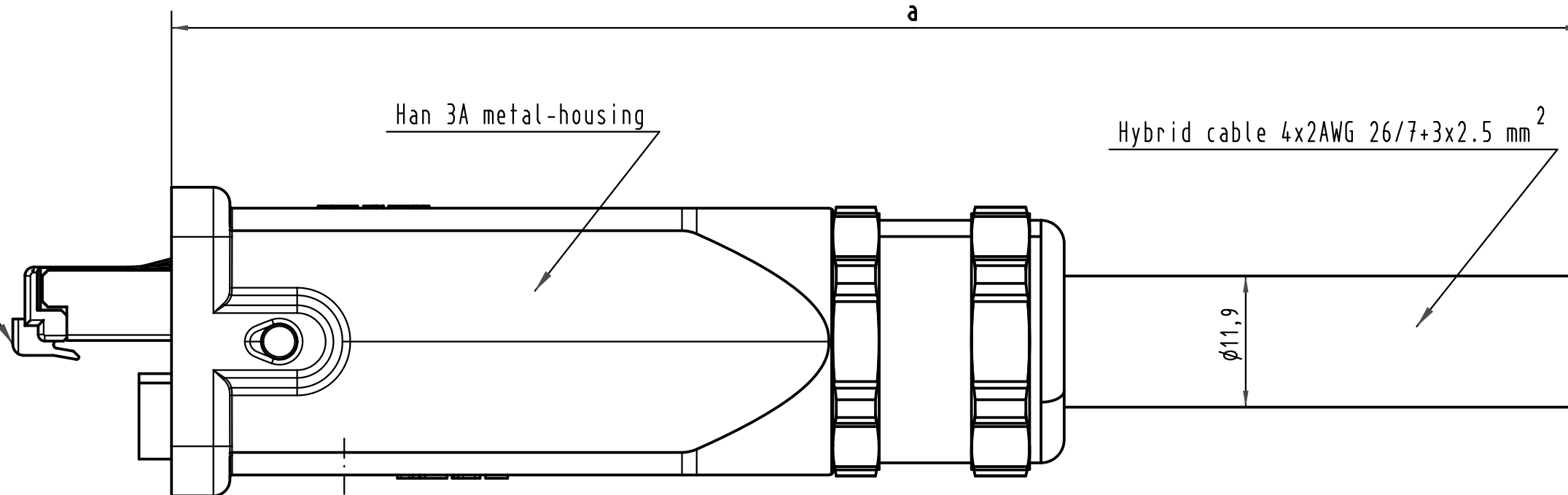


Mating face RJ45 according to IEC 60603-7



Loading-Plan (Data)

- Shield
- 1 White/green
- 2 Green
- 3 White/orange
- 4 Blue
- 5 White/blue
- 6 Orange
- 7 White/brown
- 8 Brown

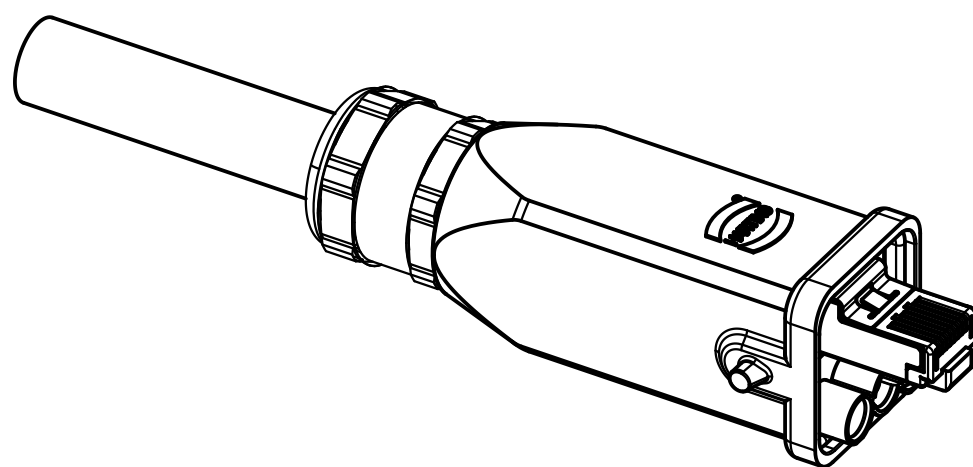
Loading-Plan DC version

- 1 black
- 2 blue
- PE green/yellow
- PE

-Protection level: IP67
 -Temperature range: -20°C ...+70°C

Data Part
 -Transmission properties in accordance with ISO/IEC 11801:2002: Class D.

???????R??



7	Hybrid cable 4x2AWG26/7+3x2,5 mm ²	DC	33 57 111 080 0001	80 m
6	Hybrid cable 4x2AWG26/7+3x2,5 mm ²	DC	33 57 111 060 0002	60 m
5	Hybrid cable 4x2AWG26/7+3x2,5 mm ²	DC	33 57 111 040 0001	40 m
4	Hybrid cable 4x2AWG26/7+3x2,5 mm ²	DC	33 57 111 020 0001	20 m
3	Hybrid cable 4x2AWG26/7+3x2,5 mm ²	DC	33 57 111 010 0001	10 m
2	Hybrid cable 4x2AWG26/7+3x2,5 mm ²	DC	33 57 111 005 0001	5 m
1	Hybrid cable 4x2AWG26/7+3x2,5 mm ²	DC	33 57 111 001 0001	1 m

Cont No.	Type of cable	Part-No.	Dim. a
----------	---------------	----------	--------

All Dimensions in mm Original Size DIN A 3			Nicht tol. Maße/ Free size tol.			Ref. MB	
			Oberflgüte/ Surface qual.			Mat.	
			Oberflschutz/ Coating				
			V= cm ³		A= mm ²		
			Dat.		Name		
			Detail.		MS		
			Insp.		RA		
			Stand.				
DRS648A 03.12.09 MS					Maßstab/ Scale 2:1		
35035 10.11.08 MS							
34553							
Mod. Dat. Name			HARTING Electronics GmbH & Co. KG D-32339 Espelkamp			Hybrid cable assembly, 4x2AWG26/7+3x2,5 mm ² HAN3A, DC	
						TB 33 57 111 xxx 0001	
						Sub.	

Alle Rechte vorbehalten/ All rights reserved