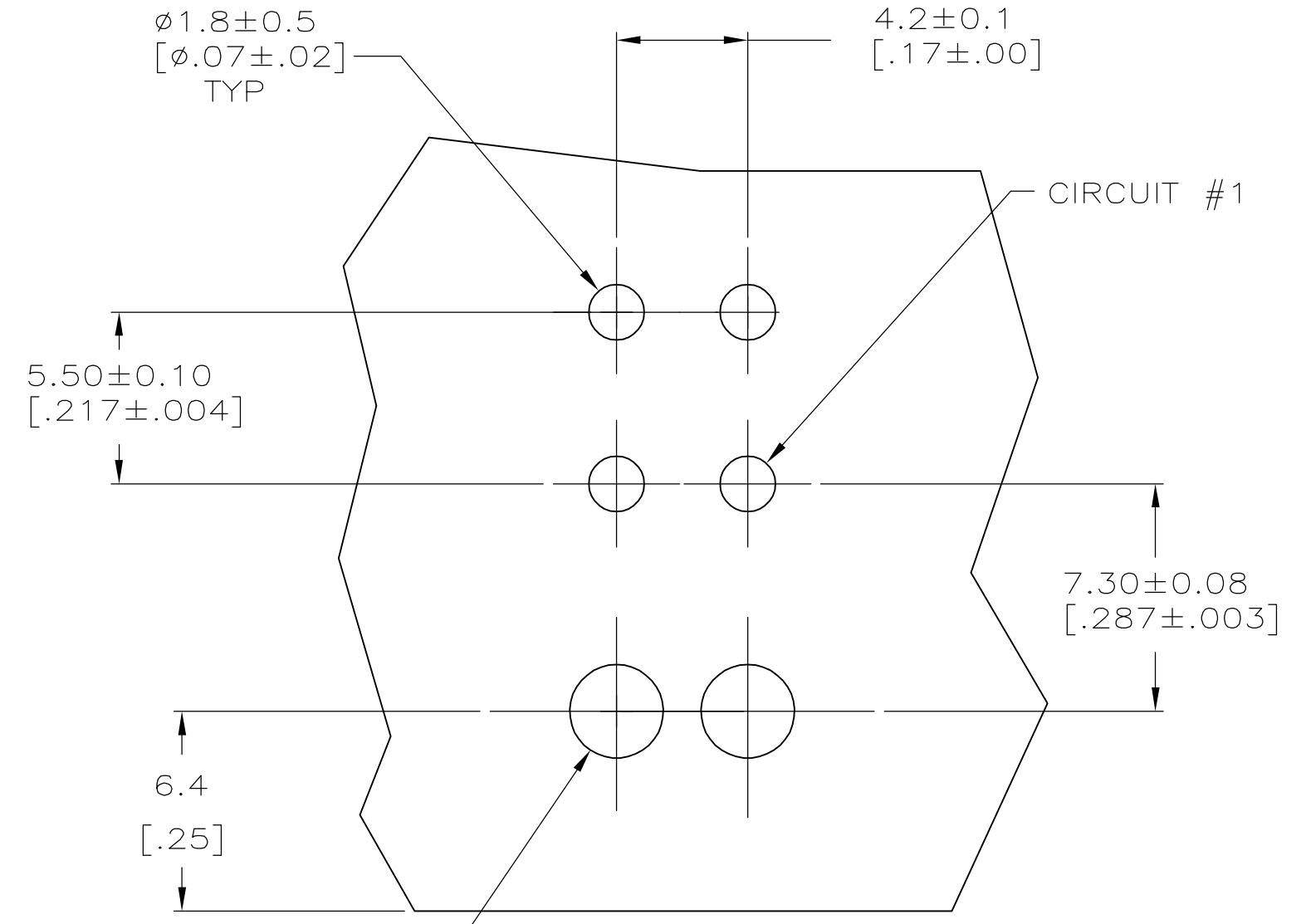
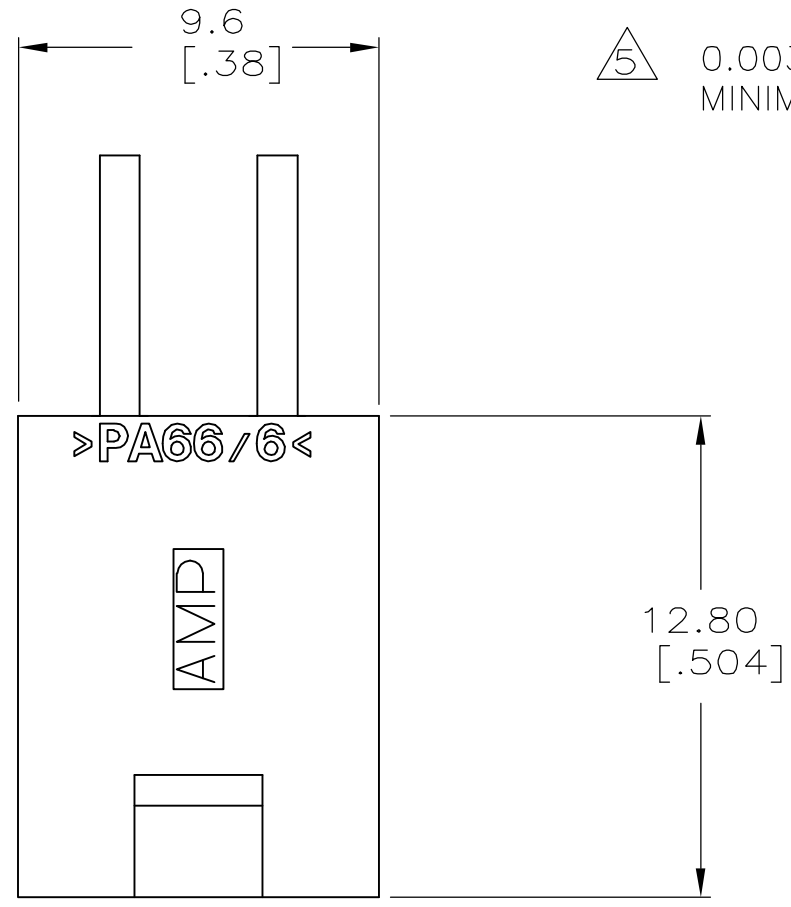


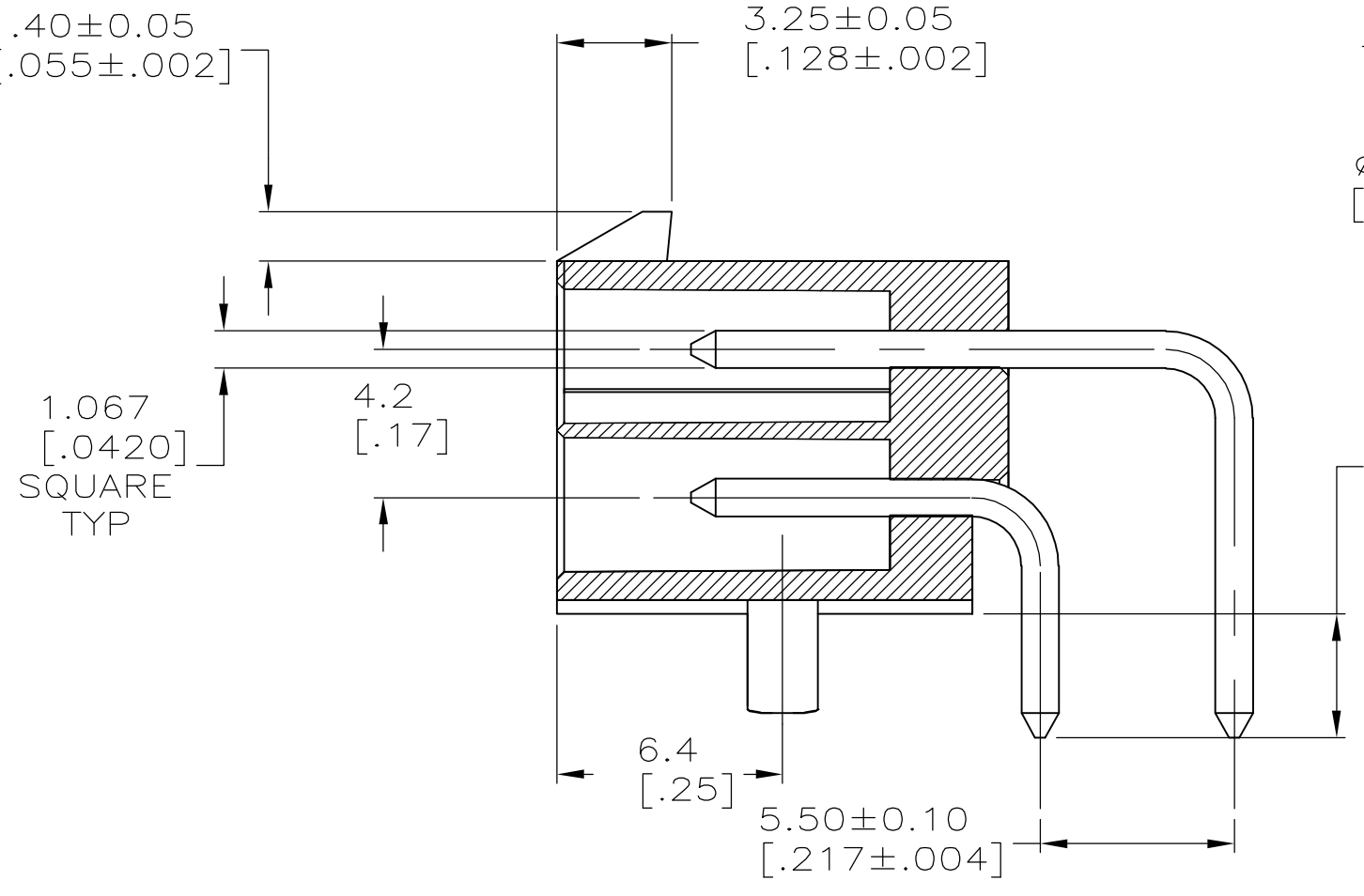
THIS DRAWING IS UNPUBLISHED. RELEASED FOR PUBLICATION  
 © COPYRIGHT BY TYCO ELECTRONICS CORPORATION. ALL RIGHTS RESERVED.

LOC		DIST		REVISIONS			
P	LTR	DESCRIPTION		DATE	DWN	APVD	
		D	REVISED PER ECO-06-014735	10NOV06	KW	DC	

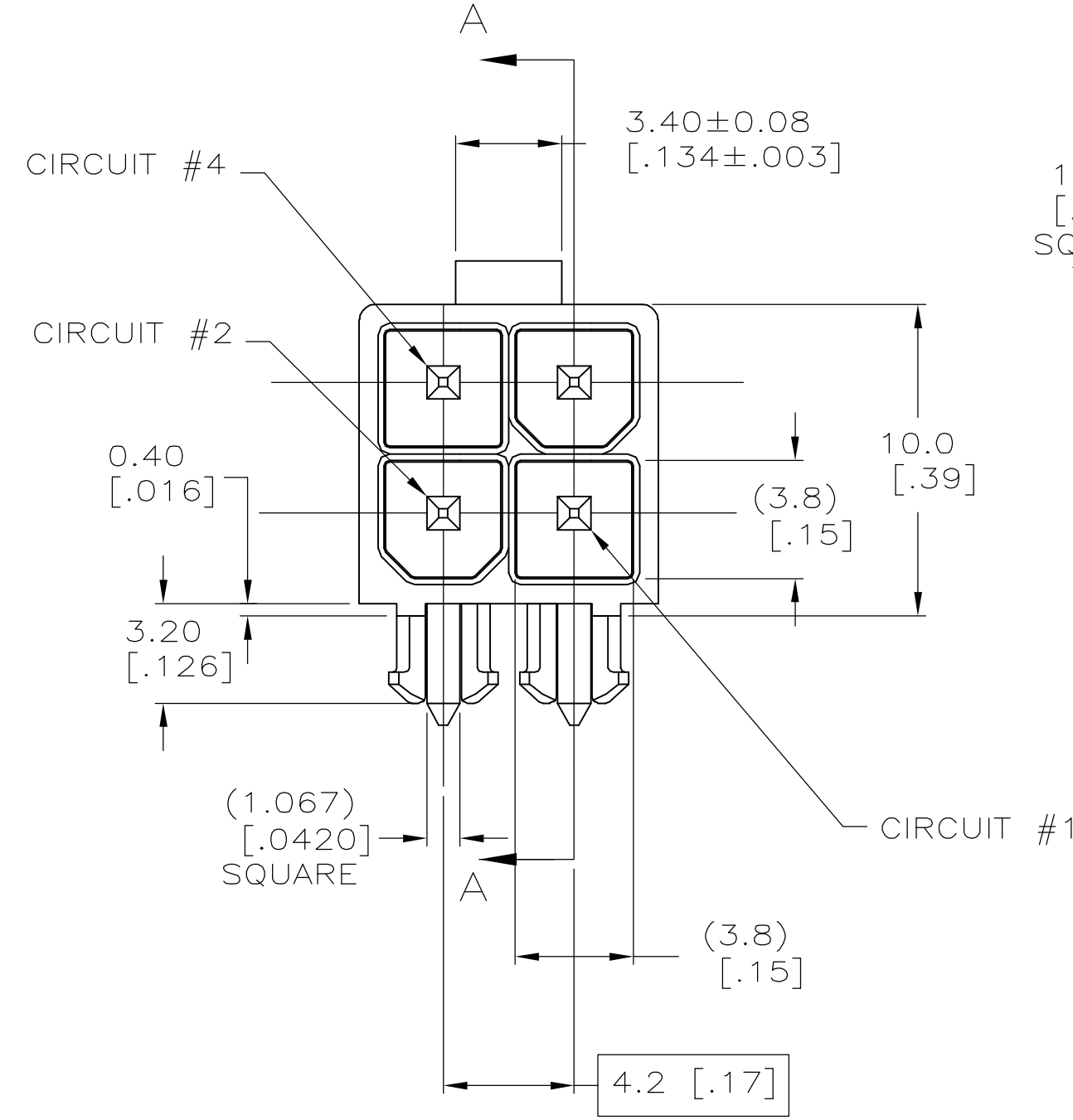
- 1 MATERIAL: HOUSING - NYLON, UL94V-2 (COLOR - NATURAL).  
PIN - 1.067mm<sup>2</sup> [.0017in<sup>2</sup>] COPPER ALLOY.
- 2 PINS TO COMPLY WITH SOLDERABILITY SPEC 109-11-3.
- 3 0.00381 [.000150] MINIMUM TIN LEAD OVER 0.00127 [.000050] MINIMUM NICKEL, ENTIRE LENGTH OF PIN.
- 4 NOTE DELETED.
- 5 0.00381 [.000150] MINIMUM TIN OVER 0.00127 [.000050] MINIMUM NICKEL, ENTIRE LENGTH OF PIN.



RECOMMENDED MOUNTING HOLE PATTERN FOR 1.78 [.070] MAX THICK P.C. BOARD COMPONENT SIDE SHOWN



SECTION A-A



SUPERSEDED BY 1-794508-1

1	5	1	1	1-794508-1
1	3	1	1	794508-1
MATERIAL		FINISH		ASSEMBLY
PIN		HOUSING		

**METRIC**

THIS DRAWING IS A CONTROLLED DOCUMENT.

DIMENSIONS: mm [INCHES]	TOLERANCES UNLESS OTHERWISE SPECIFIED:	DWN S. HOOVER 02-MAR-2005	Tyco Electronics Corporation Harrisburg, Pa 17105-3608
0 PLC ±	± 0.2 [.01]	CHK D. COLEY 02-MAR-2005	
1 PLC ±	± 0.13 [.005]	APVD D. COLEY 02-MAR-2005	NAME
2 PLC ±	± 0.30 [0.12]	PRODUCT SPEC	108-1646
3 PLC ±	± 0.30 [0.12]	APPLICATION SPEC	114-6067
4 PLC ±	± 0.30 [0.12]	WEIGHT	A2 00779 G=794508
ANGLES ±	± 0' 30"	FINISH	CUSTOMER DRAWING

ASSEMBLY, HEADER, RIGHT ANGLE, 4 POSITION, W/PEGS, 94V-2, AMP-DUAC™ POWER CONNECTOR

SCALE 5:1 SHEET 1 OF 1 REV D