

HEADER WITH LEFT HOLD DOWN (FIGURE 1)				
PART NUMBER	NUMBER OF POWER MODULES	"DIM A"	PLATING OPTION	LEFT HOLD DOWN MODULE LOCATION
78347-100*	1X	15.00	TIN	REFER TO SHEET 2 FOR DETAILS
78347-10**	2X	26.40		

HEADER WITH RIGHT HOLD DOWN (FIGURE 2)				
PART NUMBER	NUMBER OF POWER MODULES	"DIM A"	PLATING OPTION	RIGHT HOLD DOWN MODULE LOCATION
78347-200*	1X	15.00	TIN	REFER TO SHEET 2 FOR DETAILS
78347-20**	2X	26.40		

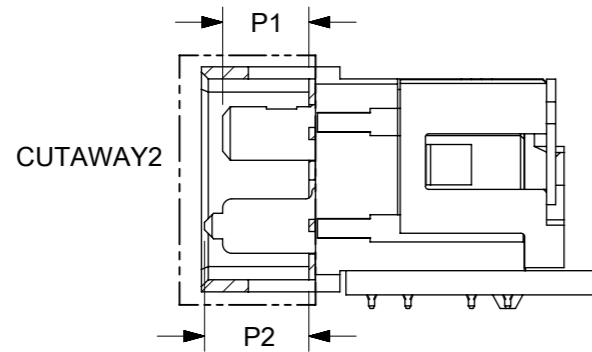


FIGURE 3: BLADE P1 AND P2 LOCATION

NOTES:

- MATERIALS:  
HOUSING - LCP, GLASS FILLED, UL 94-V0, BLACK.  
POWER PIN - COPPER ALLOY.
- FINISHES:  
0.76µm MINIMUM GOLD AT CONTACT AREA AND  
2.54µm MINIMUM TIN AT SOLDER TAIL AREA OVER  
1.27µm MINIMUM NICKEL UNDERPLATE.
- PRODUCT SPECIFICATION: PS-78213-001.
- PACKAGING SPECIFICATION:  
PK-78347-001 (1X MODULE WITH HOLD DOWN MODULE)  
PK-78347-002 (2X MODULE WITH HOLD DOWN MODULE)
- REFER TO MOLEX PRODUCT SPECIFICATION PS-78213-001 FOR PLATED THROUGH-HOLE SPECIFICATIONS AND TORQUE FORCE.
- MATES WITH 78212-\*\*\*\* or 78348-\*\*\*\*.
- PART NUMBER AND YEAR-DAY CODE CAN BE AT THE OPPOSITE SIDE.
- ADD 11.40mm FOR EACH ADDITIONAL POWER MODULE.
- THE DETAILS FOR LEFT & RIGHT HOLD DOWN OPTION ARE SHOWN IN SHEET 2, 3 AND SHEET 4 RESPECTIVELY.
- CONNECTORS ARE PACKED IN A TRAY.
- FIRST POWER MODULE (#1) STARTS FROM THE RIGHT.
- REFER TO SD-78211-002 FOR DETAILS OF THE POWER MODULE.
- ALL PARTS ARE SHIPPED WITH A 2-32 TYPE AB SELF-TAPPING SCREW PART NUMBER 73726-0000.
- COMPONENT STAY AWAY ZONE FROM CONNECTOR.

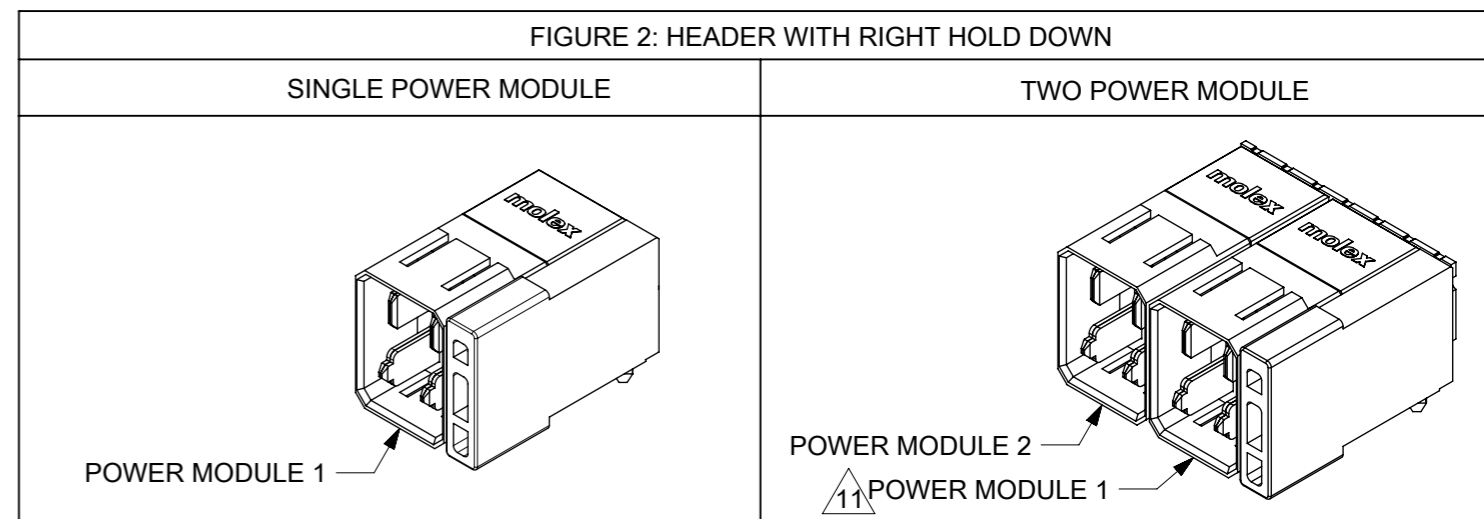
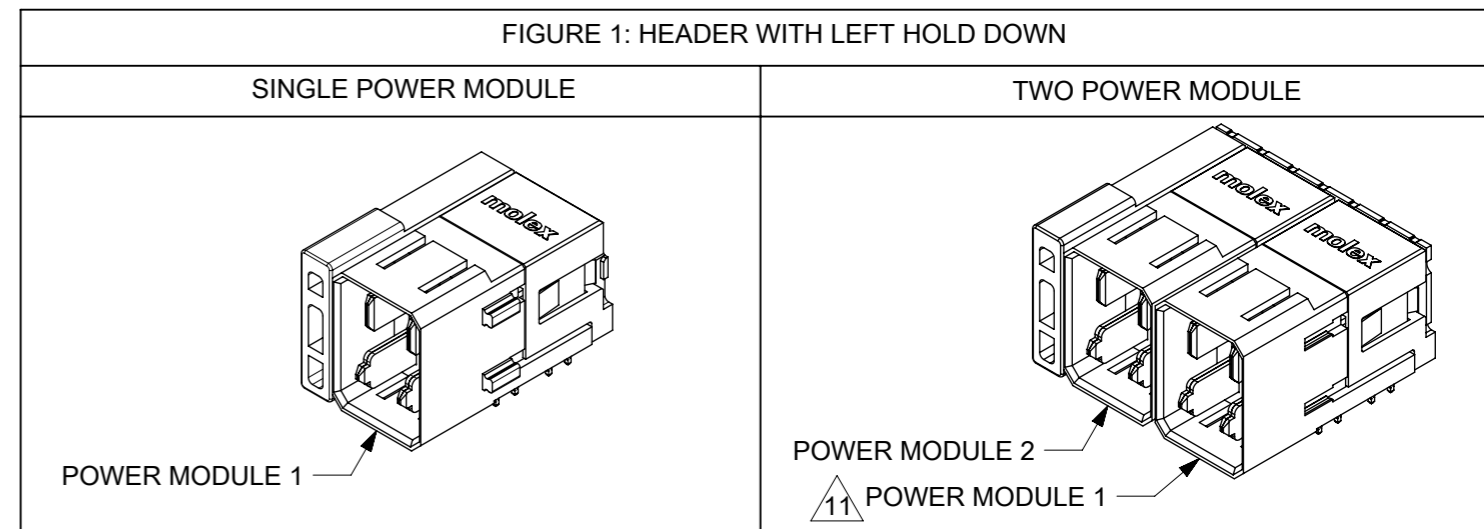
DOCUMENT STATUS	P1	RELEASE DATE	2019/03/13	10:32:46
-----------------	----	--------------	------------	----------

PLATING OPTION	HOLD DOWN MODULE LOCATION	*
TIN	LEFT	1
	RIGHT	2

78347- \*0\*\*

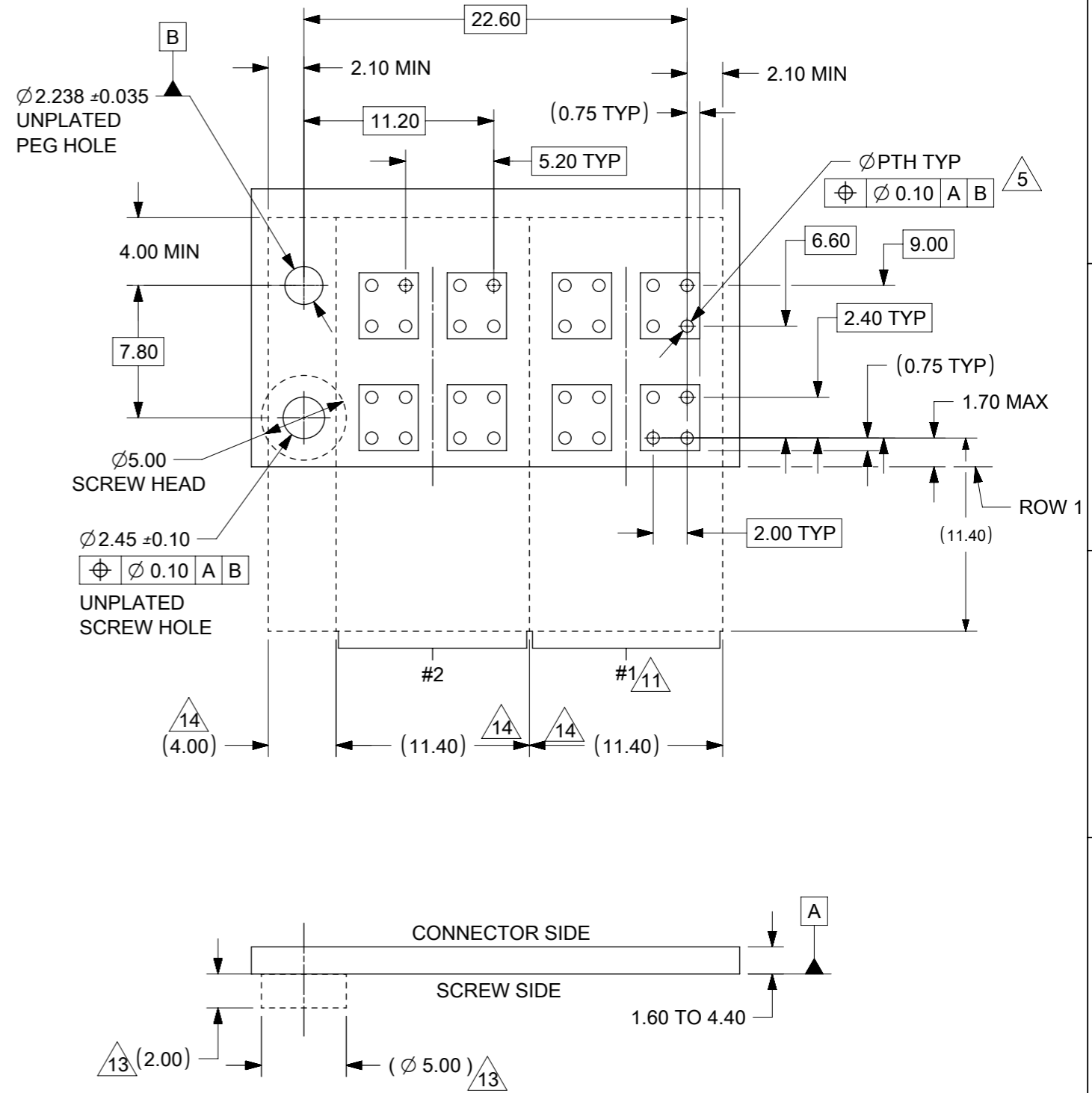
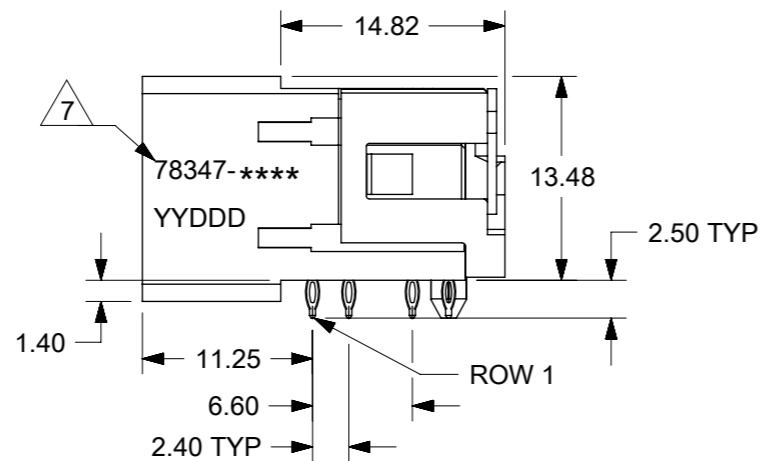
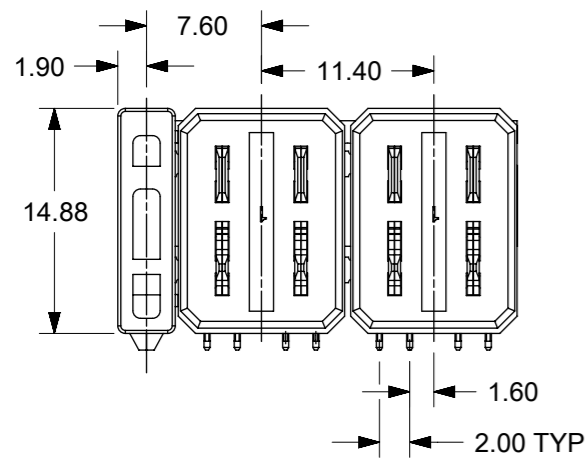
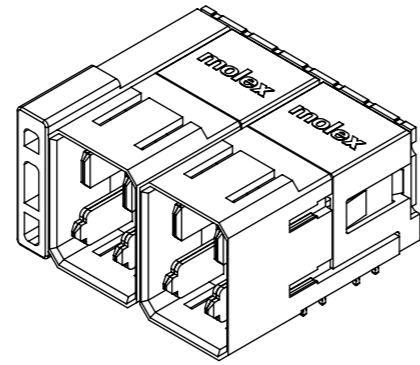
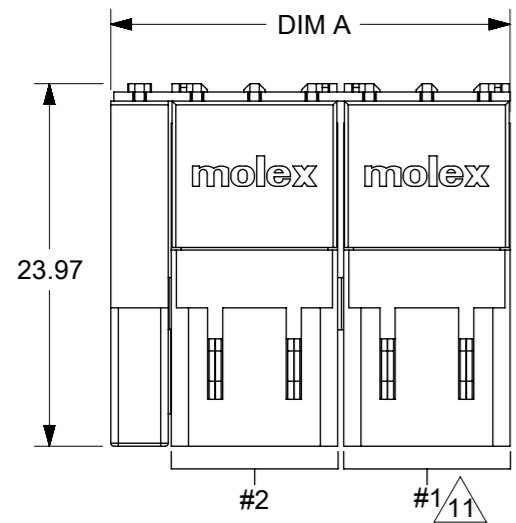
*	POWER MODULE 2	
	P1	P2
0	MODULE NOT PRESENT	
1	6.90	6.90
2	5.70	5.70
3	6.90	5.70
4	5.70	6.90

*	POWER MODULE 1	
	P1	P2
1	6.90	6.90
2	5.70	5.70
3	6.90	5.70
4	5.70	6.90



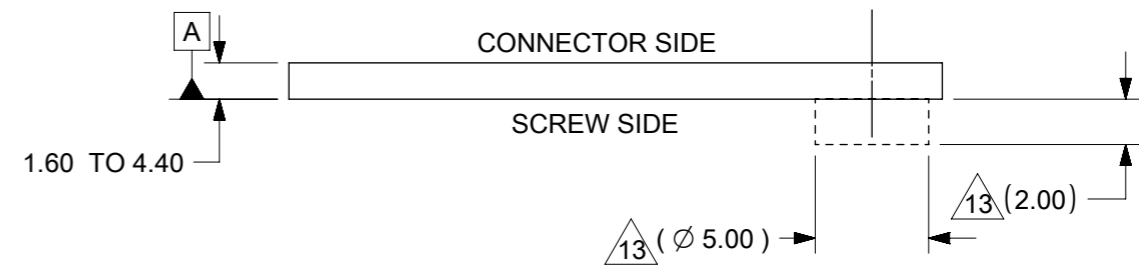
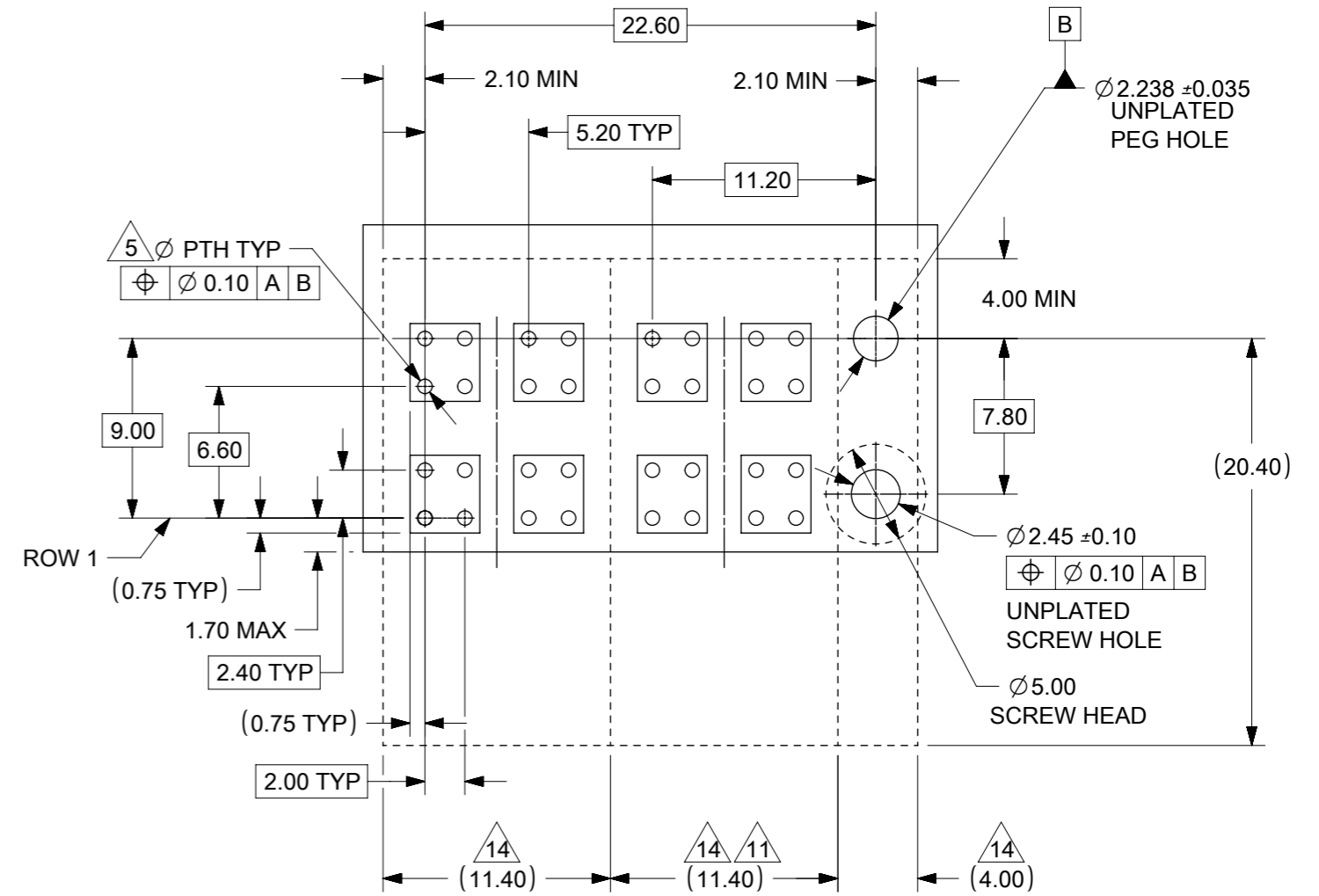
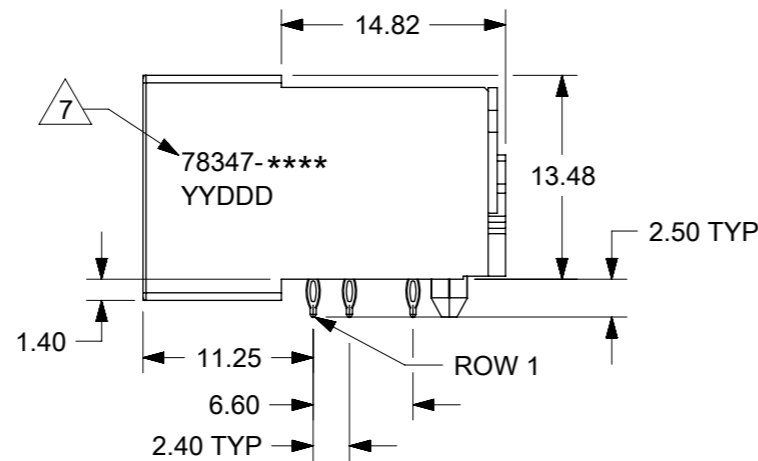
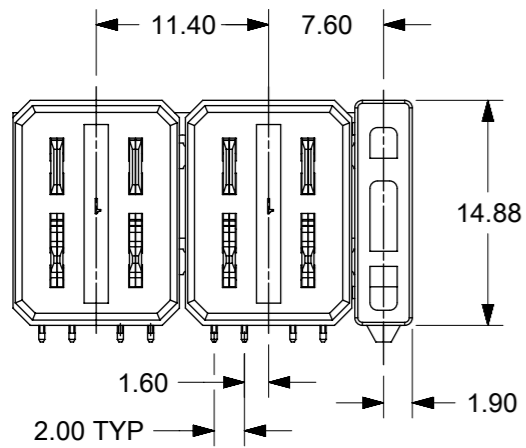
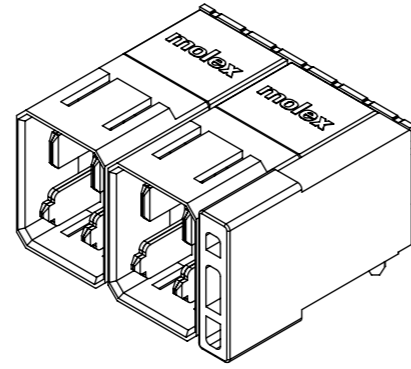
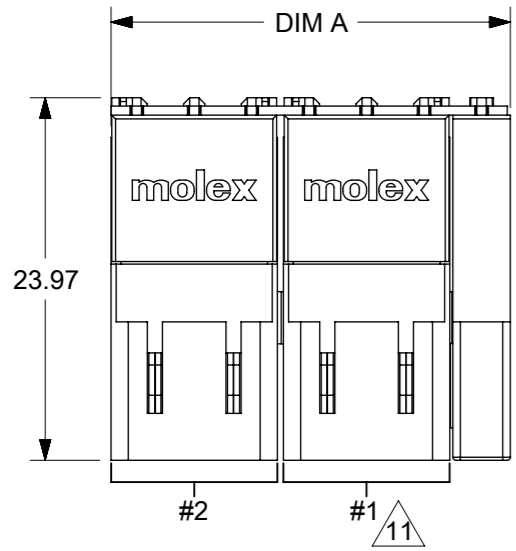
THIS DRAWING CONTAINS INFORMATION THAT IS PROPRIETARY TO MOLEX ELECTRONIC TECHNOLOGIES, LLC AND SHOULD NOT BE USED WITHOUT WRITTEN PERMISSION		CURRENT REV DESC: MIGRATED TO NX			
DIMENSION UNITS	SCALE	EC NO: 612508			
mm	NTS	DRWN: PSHANKARACHA 2019/01/17		R/A HEADER W/HOLD DOWN PRESS-FIT	
GENERAL TOLERANCES (UNLESS SPECIFIED)		CHK'D: ABN 2019/03/12		PRODUCT CUSTOMER DRAWING	
ANGULAR TOL	± 3.0 °	APPR: CWANG25 2019/03/13		DOCUMENT NUMBER	
4 PLACES	±	INITIAL REVISION:		SD-78347-001	
3 PLACES	±	DRWN: LNG 2010/08/11		DOC TYPE	
2 PLACES	± 0.25	APPR: SHONG 2011/02/08		PSD	
1 PLACE	±	DRAFT WHERE APPLICABLE MUST REMAIN WITHIN DIMENSIONS		DOC PART	
0 PLACES	±	THIRD ANGLE PROJECTION		001	
DRAWING		SERIES		REVISION	
A3-SIZE		78347		B8	
MATERIAL NUMBER		CUSTOMER		SHEET NUMBER	
SEE TABLE		GENERAL MARKET		1 OF 5	

# LEFT HOLD DOWN OPTION

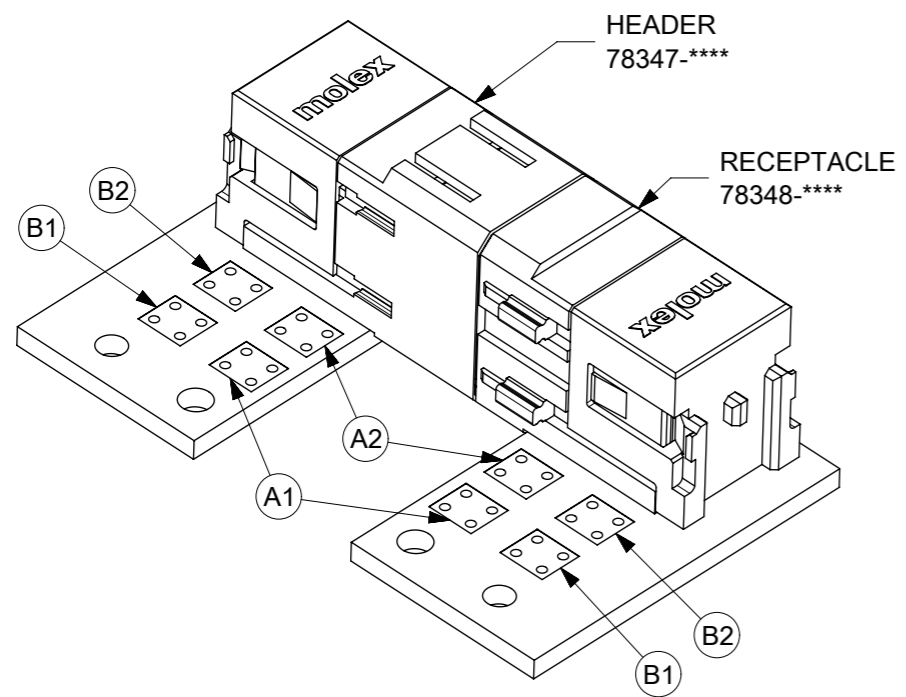


THIS DRAWING CONTAINS INFORMATION THAT IS PROPRIETARY TO MOLEX ELECTRONIC TECHNOLOGIES, LLC AND SHOULD NOT BE USED WITHOUT WRITTEN PERMISSION		CURRENT REV DESC: MIGRATED TO NX			
DIMENSION UNITS	SCALE				
mm	NTS			IMPACT POWER, 3 PAIR R/A HEADER W/HOLD DOWN PRESS-FIT	
GENERAL TOLERANCES (UNLESS SPECIFIED)		EC NO: 612508		PRODUCT CUSTOMER DRAWING	
ANGULAR TOL	± 3.0 °	DRWN: PSHANKARACHA	2019/01/17	DOCUMENT NUMBER	DOC TYPE DOC PART REVISION
4 PLACES	±	CHK'D: ABN	2019/03/12	SD-78347-001	PSD 001 B8
3 PLACES	±	APPR: CWANG25	2019/03/13	MATERIAL NUMBER	CUSTOMER
2 PLACES	± 0.25	INITIAL REVISION:		SEE TABLE	GENERAL MARKET
1 PLACE	±	DRWN: LNG	2010/08/11	SHEET NUMBER	2 OF 5
0 PLACES	±	APPR: SHONG	2011/02/08		
DRAFT WHERE APPLICABLE MUST REMAIN WITHIN DIMENSIONS	THIRD ANGLE PROJECTION	DRAWING	SERIES		
		A3-SIZE	78347		

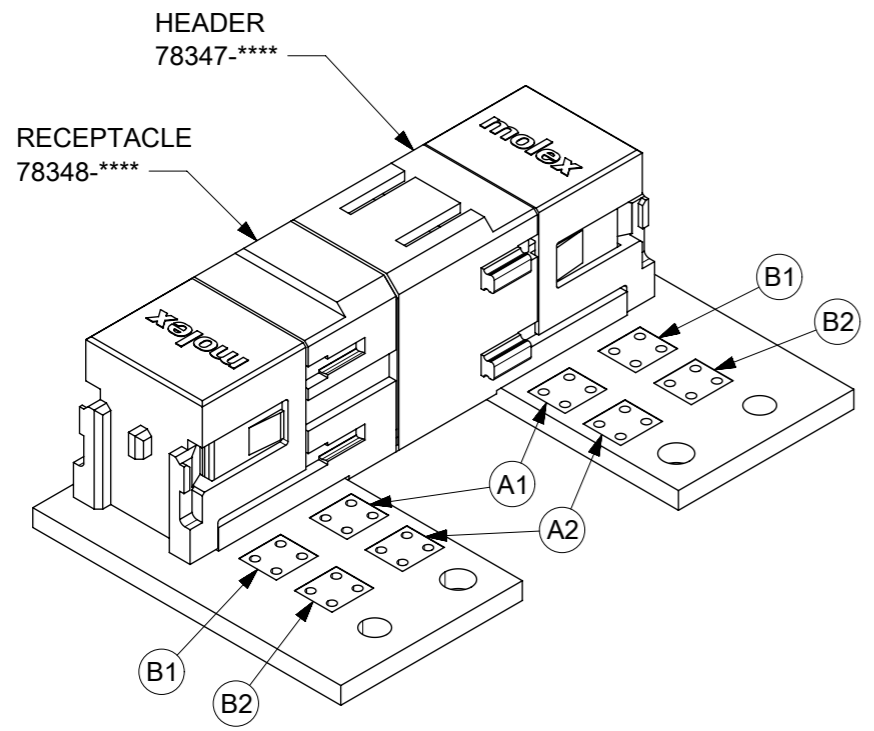
# RIGHT HOLD DOWN OPTION



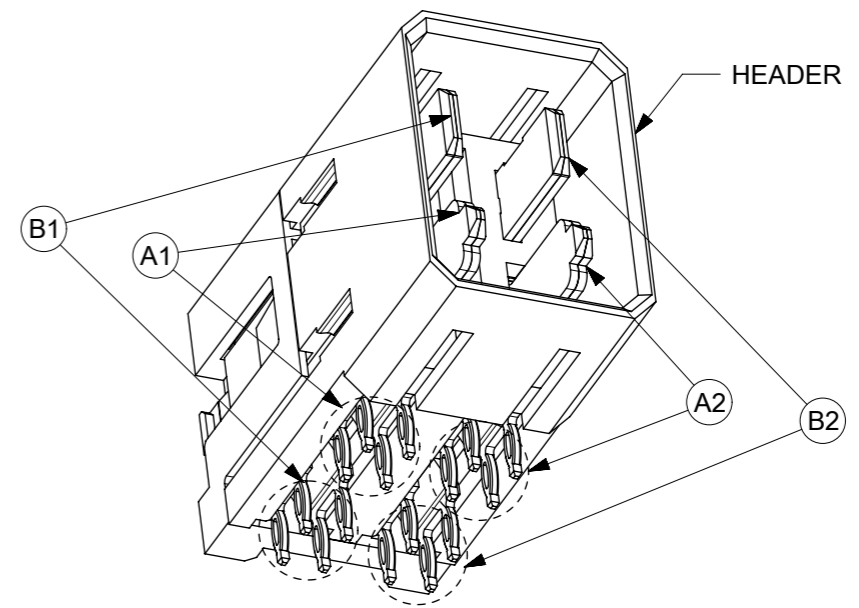
THIS DRAWING CONTAINS INFORMATION THAT IS PROPRIETARY TO MOLEX ELECTRONIC TECHNOLOGIES, LLC AND SHOULD NOT BE USED WITHOUT WRITTEN PERMISSION		CURRENT REV DESC: MIGRATED TO NX		<b>molex</b>	
DIMENSION UNITS	SCALE				
mm	NTS			IMPACT POWER, 3 PAIR R/A HEADER W/HOLD DOWN PRESS-FIT	
GENERAL TOLERANCES (UNLESS SPECIFIED)		EC NO: 612508		PRODUCT CUSTOMER DRAWING	
ANGULAR TOL	± 3.0°	DRWN: PSHANKARACHA	2019/01/17	DOCUMENT NUMBER	DOC TYPE
4 PLACES	±	CHK'D: ABN	2019/03/12	SD-78347-001	PSD
3 PLACES	±	APPR: CWANG25	2019/03/13	DOC PART	001
2 PLACES	± 0.25	INITIAL REVISION:		REVISION	B8
1 PLACE	±	DRWN: LNG	2010/08/11		
0 PLACES	±	APPR: SHONG	2011/02/08		
DRAFT WHERE APPLICABLE MUST REMAIN WITHIN DIMENSIONS	THIRD ANGLE PROJECTION	DRAWING	SERIES	MATERIAL NUMBER	CUSTOMER
		A3-SIZE	78347	SEE TABLE	GENERAL MARKET
				SHEET NUMBER	3 OF 5



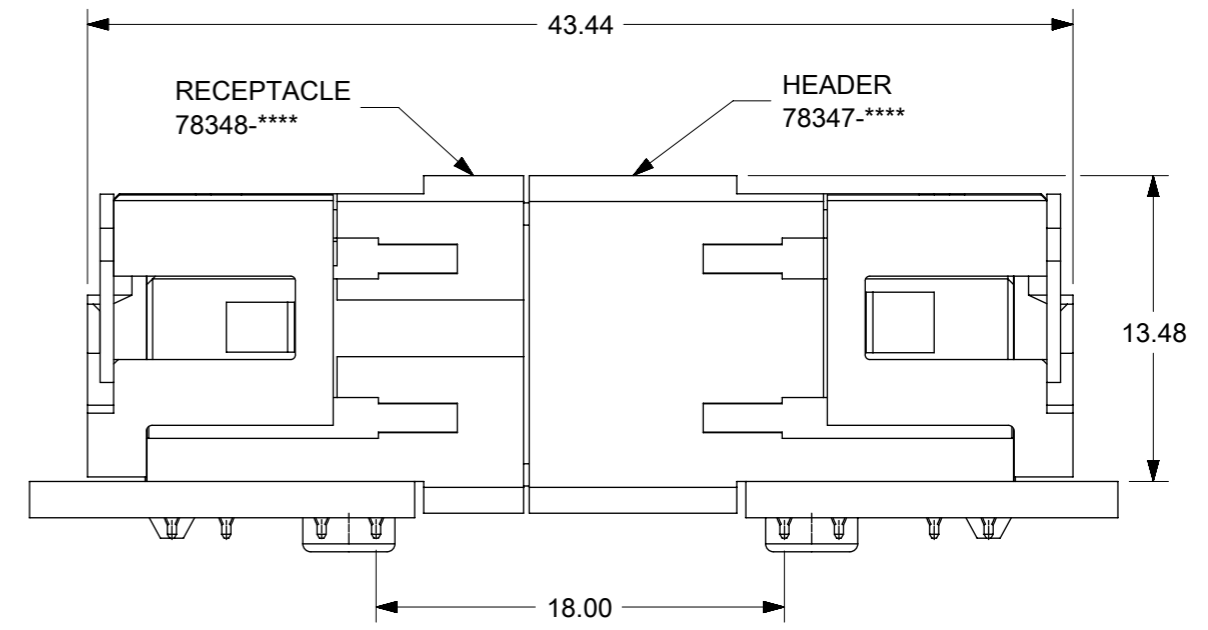
LEFT HOLD DOWN:  
1 POWER MODULE AND HOLD DOWN REMOVED TO  
ILLUSTRATE CIRCUIT PATH OF MATED SYSTEM



RIGHT HOLD DOWN:  
1 POWER MODULE AND HOLD DOWN REMOVED TO  
ILLUSTRATE CIRCUIT PATH OF MATED SYSTEM

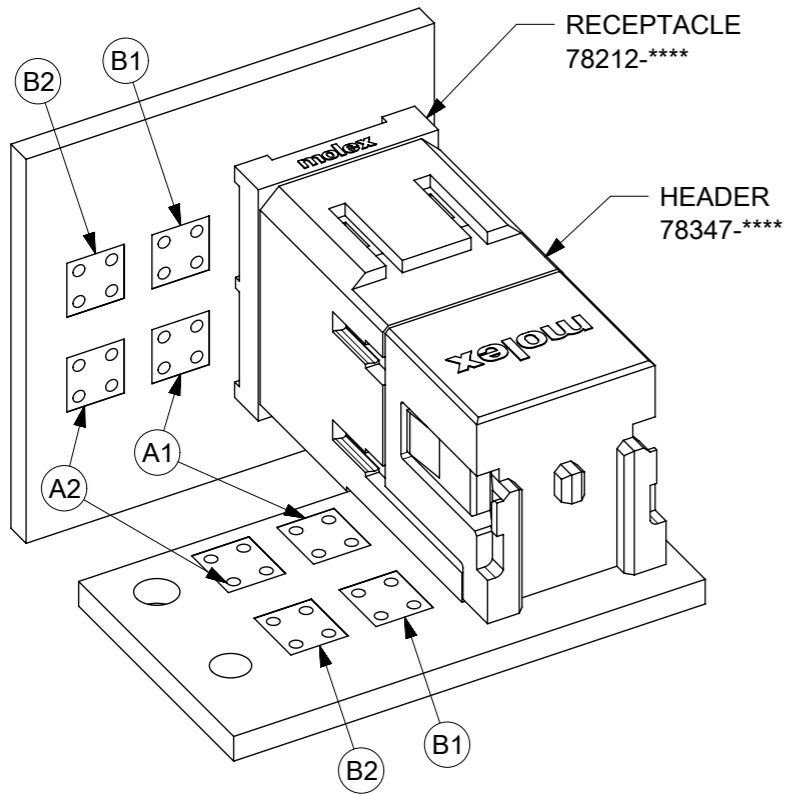


PIN NUMBER ASSIGNMENT BASED ON HEADER SIDE:  
A1, B1 ON THE LEFT,  
A2, B2 ON THE RIGHT.

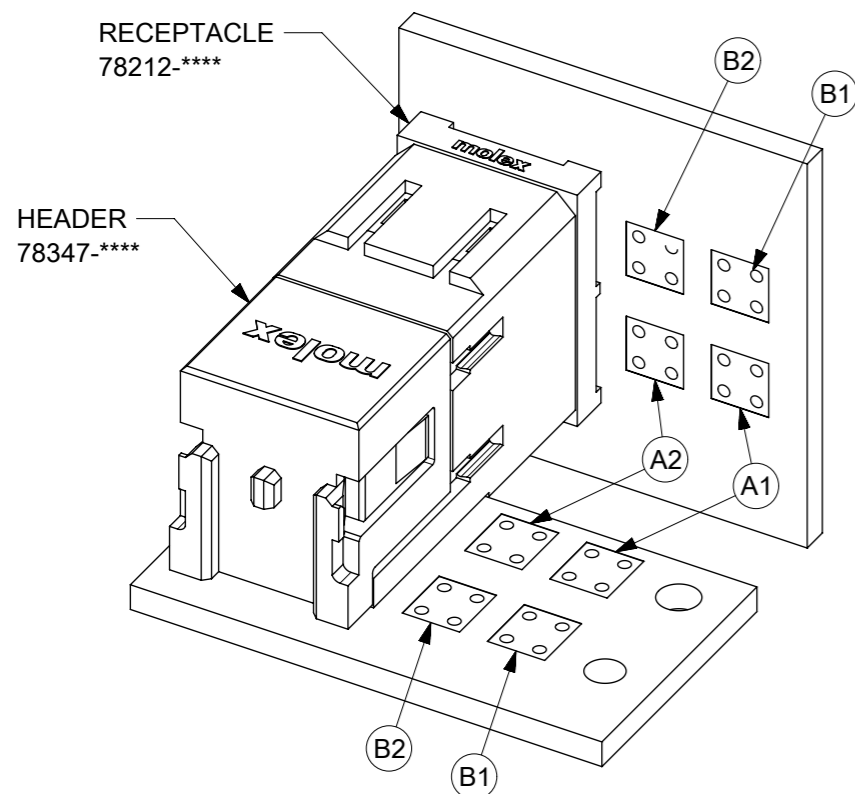


MATED SYSTEM OF 78347 & 78348

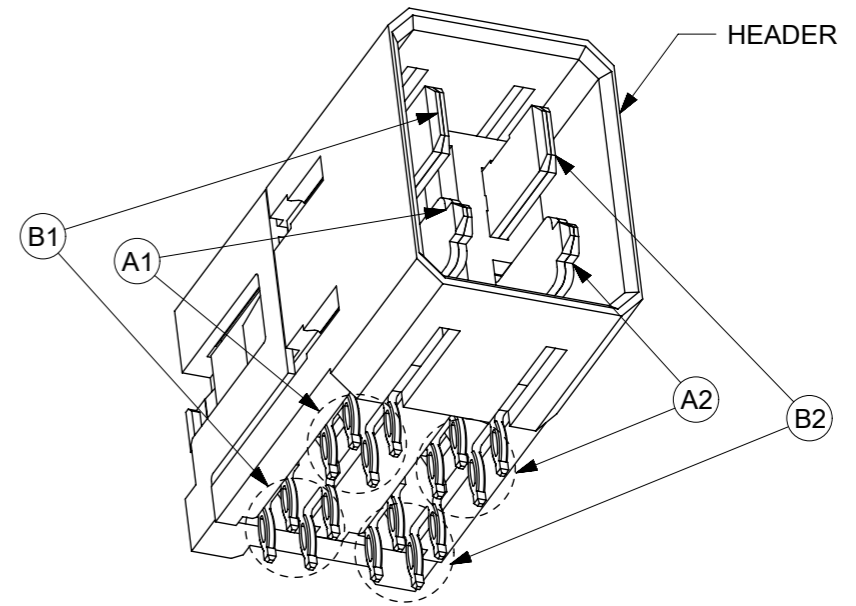
THIS DRAWING CONTAINS INFORMATION THAT IS PROPRIETARY TO MOLEX ELECTRONIC TECHNOLOGIES, LLC AND SHOULD NOT BE USED WITHOUT WRITTEN PERMISSION									
DIMENSION UNITS	SCALE	CURRENT REV DESC: MIGRATED TO NX							
mm	NTS								
GENERAL TOLERANCES (UNLESS SPECIFIED)									
ANGULAR TOL	± 3.0 °	EC NO: 612508		2019/01/17		IMPACT POWER, 3 PAIR		R/A HEADER W/HOLD DOWN PRESS-FIT	
4 PLACES	±	DRWN: PSHANKARACHA		2019/03/12		PRODUCT CUSTOMER DRAWING			
3 PLACES	±	CHK'D: ABN		2019/03/13		DOCUMENT NUMBER		DOC TYPE	DOC PART
2 PLACES	± 0.25	APPR: CWANG25		2019/03/13		SD-78347-001		PSD	001
1 PLACE	±	INITIAL REVISION:		2010/08/11		REVISION		B8	
0 PLACES	±	DRWN: LNG		2011/02/08		MATERIAL NUMBER		CUSTOMER	
DRAFT WHERE APPLICABLE MUST REMAIN WITHIN DIMENSIONS		THIRD ANGLE PROJECTION	DRAWING	SERIES	MATERIAL NUMBER	CUSTOMER		SHEET NUMBER	
			A3-SIZE	78347	SEE TABLE	GENERAL MARKET		4 OF 5	



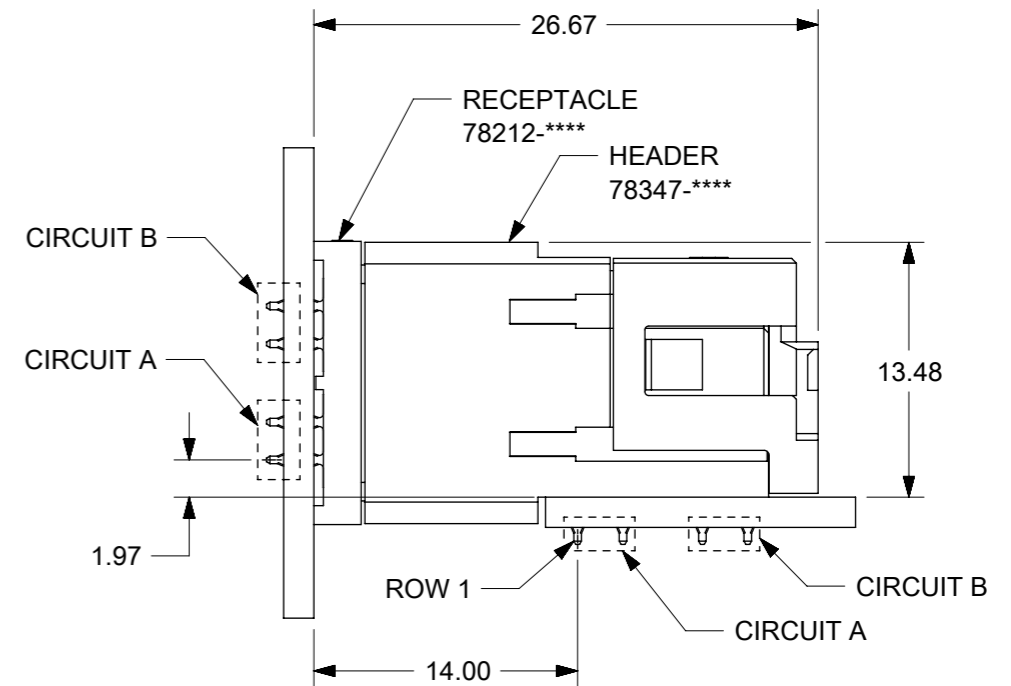
RIGHT HOLD DOWN:  
1 POWER MODULE AND HOLD DOWN REMOVED TO  
ILLUSTRATE CIRCUIT PATH OF MATED SYSTEM



LEFT HOLD DOWN:  
1 POWER MODULE AND HOLD DOWN REMOVED TO  
ILLUSTRATE CIRCUIT PATH OF MATED SYSTEM



PIN NUMBER ASSIGNMENT BASED ON HEADER SIDE:  
A1, B1 ON THE LEFT,  
A2, B2 ON THE RIGHT.



MATED SYSTEM OF 78347 & 78212

THIS DRAWING CONTAINS INFORMATION THAT IS PROPRIETARY TO MOLEX ELECTRONIC TECHNOLOGIES, LLC AND SHOULD NOT BE USED WITHOUT WRITTEN PERMISSION		CURRENT REV DESC: MIGRATED TO NX		<b>molex</b>	
DIMENSION UNITS	SCALE				
mm	NTS			PRODUCT CUSTOMER DRAWING	
GENERAL TOLERANCES (UNLESS SPECIFIED)		EC NO: 612508		DOCUMENT NUMBER	
ANGULAR TOL	± 3.0 °	DRWN: PSHANKARACHA 2019/01/17		SD-78347-001	
4 PLACES	±	CHK'D: ABN 2019/03/12		DOC TYPE	DOC PART
3 PLACES	±	APPR: CWANG25 2019/03/13		PSD	001
2 PLACES	± 0.25	INITIAL REVISION:		REVISION	
1 PLACE	±	DRWN: LNG 2010/08/11		B8	
0 PLACES	±	APPR: SHONG 2011/02/08			
DRAFT WHERE APPLICABLE MUST REMAIN WITHIN DIMENSIONS		THIRD ANGLE PROJECTION	DRAWING	SERIES	MATERIAL NUMBER
			A3-SIZE	78347	SEE TABLE
				CUSTOMER	SHEET NUMBER
				GENERAL MARKET	5 OF 5