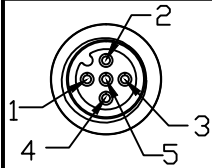
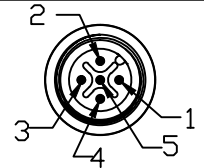


FEMALE INSERT
FACE VIEW

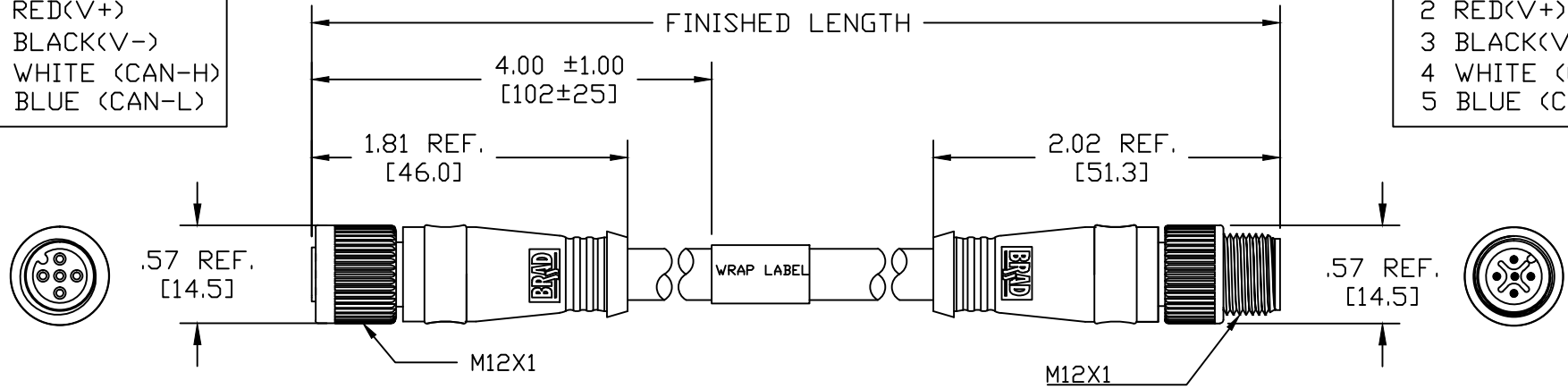


- 1 DRAIN WIRE
- 2 RED<V+>
- 3 BLACK<V->
- 4 WHITE (CAN-H)
- 5 BLUE (CAN-L)

MALE INSERT
FACE VIEW



- 1 DRAIN WIRE
- 2 RED<V+>
- 3 BLACK<V->
- 4 WHITE (CAN-H)
- 5 BLUE (CAN-L)



DNDL22A-M020

cable length
M020----2 Meter
M100----10 Meter

MECHANICAL
CONTACT: GOLD/NICKEL OVER COPPER ALLOY
INSERT : BLACK NYLON
ORING: RED VITON
COUPLING NUT: ZINC DIECAST WITH BLACK EPOXY COATED
MOLDED BODY: GREY PVC
CABLE COLOR: LIGHT BLUE
CABLE MARKING: ----- KURAMO E162205-K c^{ns}us AWM
STYLE 2464 I A 80C 300V VW-FT1 LF-----

ELECTRICAL
VOLTAGE RATING: 250V AC/DC
AMPERAGE: 4A

ENVIRONMENTAL
PROTECTION: IP67
OPERATION TEMP: 0°C~80°C

| | | | | | | | | | |
|---|-----------------|--|---------|-----------------------|---|----------------------|-------------------|------------------------|--|
| RELEASED EC NO: IPC2013-0576 DRWN: BARDEN 2012/10/18 CHKD: TWOLDEGE APPR: JFMURPHY 2012/11/02 REV A | QUALITY SYMBOLS | GENERAL TOLERANCES (UNLESS SPECIFIED) | | DIMENSION STYLE IN/MM | | SCALE 1:1 | DESIGN UNITS INCH | THIRD ANGLE PROJECTION | |
| | =0 C=0 | 4 PLACES | mm ±--- | INCH ±--- | DRAWN BY DATE | TITLE | | | |
| | | 3 PLACES | ±--- | ±.005 | TWOLDEGE 2011/07/06 | DEVICE NET ASSEMBLY | | | |
| | | 2 PLACES | ±0.13 | ±.010 | CHECKED BY DATE | 5 POLE M/FE STRAIGHT | | | |
| | 1 PLACE | ±0.25 | ±.020 | BARDEN --- | KND-SBZ LIGHT BLUE PVC | | | | |
| | | ANGULAR ±---° | | APPROVED BY DATE | MOLEX MOLEX INCORPORATED | | | | |
| | | DRAFT WHERE APPLICABLE MUST REMAIN WITHIN DIMENSIONS | | JFMURPHY 2012/11/02 | DOCUMENT NO. | | SD-130261-005 | | |
| | | | | MATERIAL NO. | SHEET NO. | | 1 OF 1 | | |
| | | | | SIZE A | THIS DRAWING CONTAINS INFORMATION THAT IS PROPRIETARY TO MOLEX INCORPORATED AND SHOULD NOT BE USED WITHOUT WRITTEN PERMISSION | | | | |