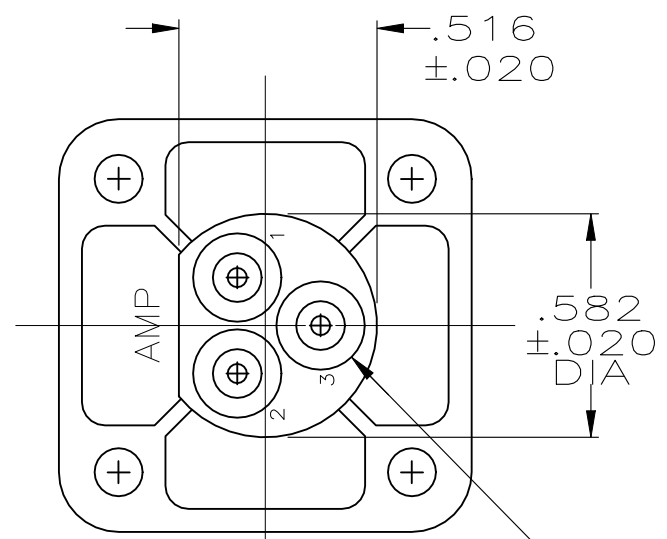
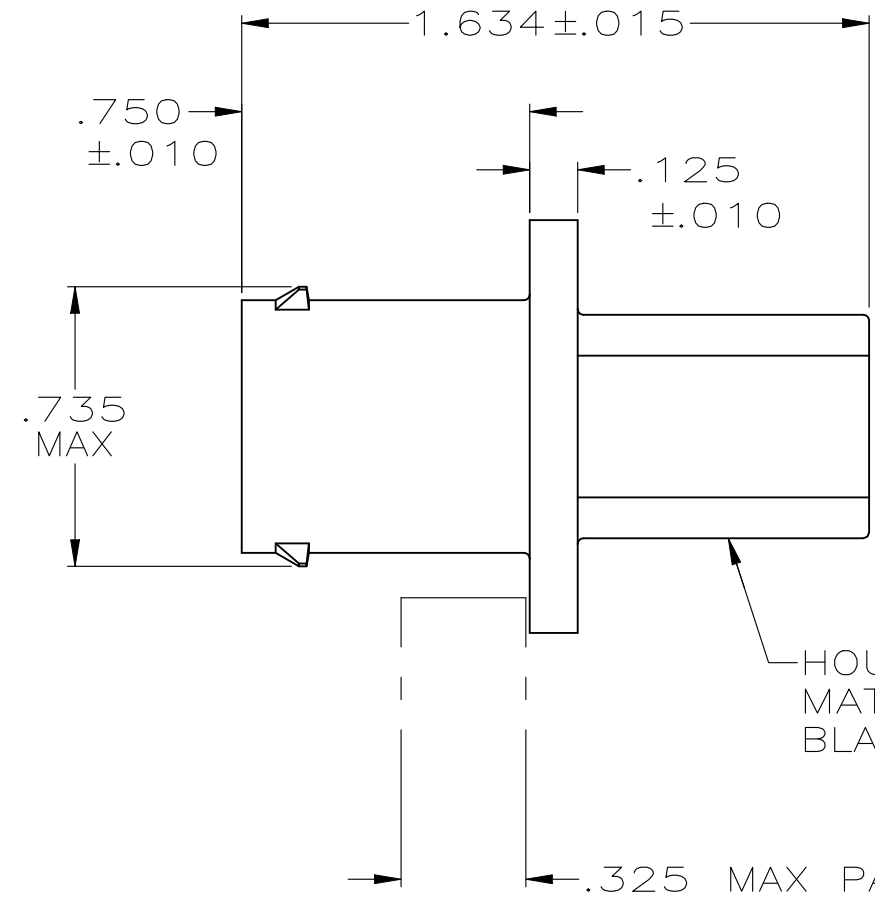
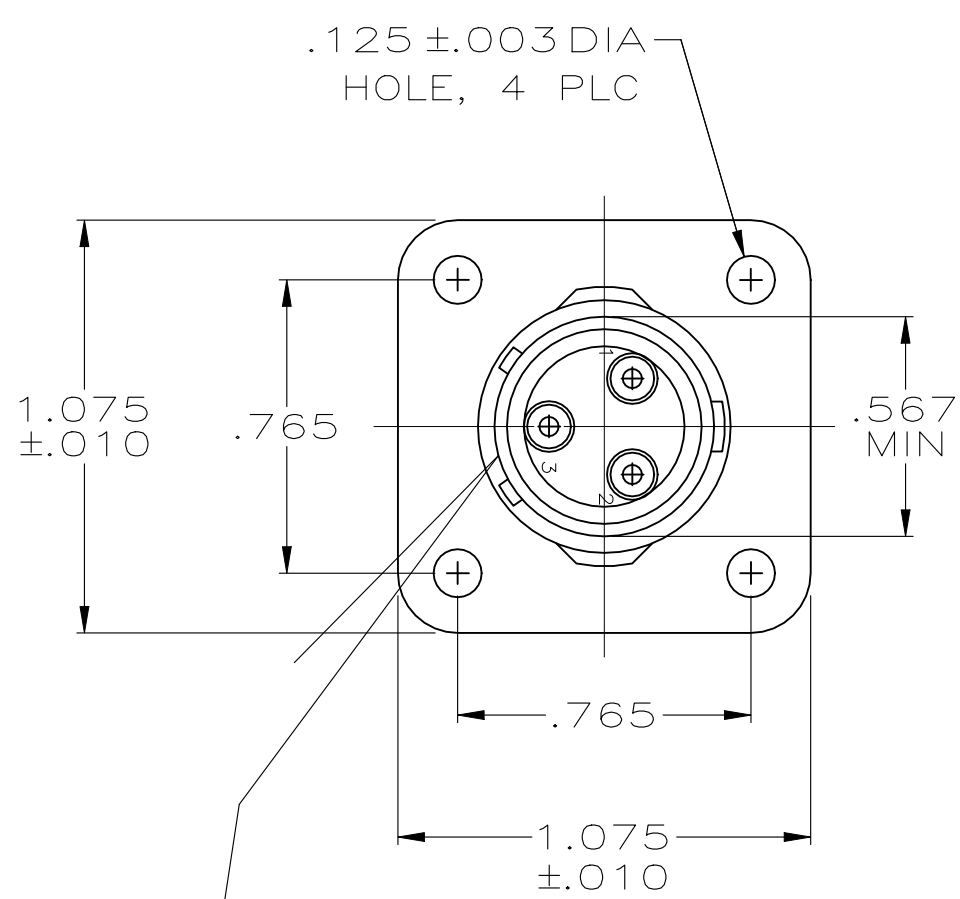


REVISIONS					
P	LTR	DESCRIPTION	DATE	DWN	APVD
	H	PER PCN E-20-018081	10MAR2021	SCK	

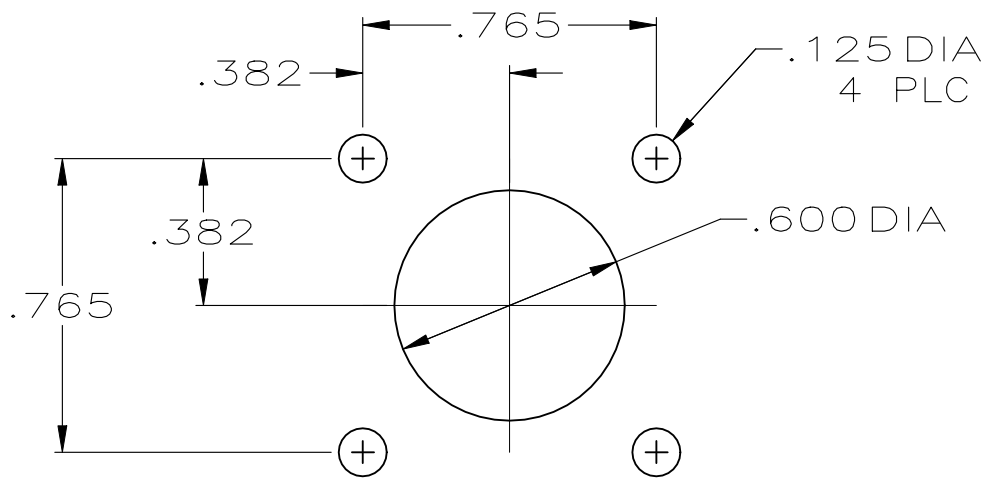


HOUSING MATERIAL: THERMOPLASTIC BLACK

DISCRETE WIRE SEALS (3) MATERIAL: ELASTOMER BLACK

PERIPHERAL SEAL MATERIAL: ELASTOMER BLACK

1. WIRE INSULATION SEALING RANGE .070-.130 DIA.
2. THIN MEMBRANE PERMISSIBLE ON SMALL DIAMETER OF WIRE SEALS.



RECOMMENDED PANEL CUTOUT

207807-1
PART NUMBER

THIS DRAWING IS A CONTROLLED DOCUMENT.		DWN	J GALLUCCI BG	8-21-90	STE TE Connectivity			
		CHK	-	-				
DIMENSIONS: INCHES		TOLERANCES UNLESS OTHERWISE SPECIFIED:			NAME			
		0 PLC	± -		ECONOSEAL, SQUARE FLANGE RECEPTACLE, SHELL SIZE 10, 3 POSITION, PIN CONTACTS			
		1 PLC	± -		SIZE			
		2 PLC	± -		CAGE CODE			
		3 PLC	± .005		DRAWING NO			
MATERIAL		FINISH			RESTRICTED TO			
SEE CALLOUT		-			-			
CUSTOMER DRAWING					WEIGHT	0.000000	A300779	C-207807
					SCALE	2:1	SHEET	1 OF 1
					REV	H		