

## Specifications

Electrical Ratings	50mA @ 50VDC	Dielectric Strength	250Vrms min
Electrical Life	100,000 cycles typical	Insulation Resistance	>100MΩ min
Contact Resistance	<50mΩ initial	Operating Temperature	-40°C to 85°C
Actuation Force	160 ± 50gF	Storage Temperature	-40°C to 85°C
Actuation Travel	.25 ± .1mm		

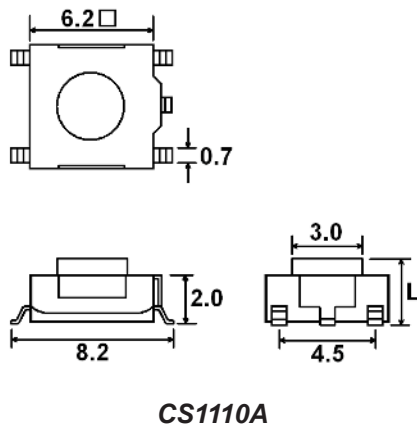
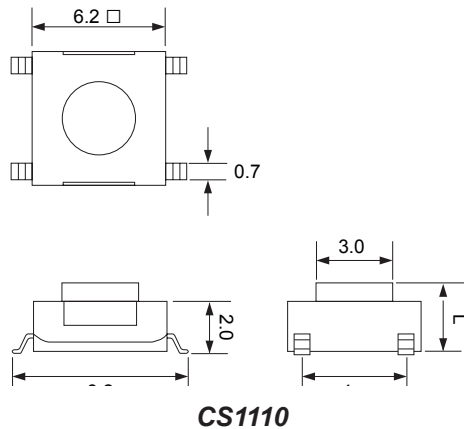
## Materials

Actuator	4/6 Nylon
Housing	4/6 Nylon
Cover	Steel
Contacts	Phosphor Bronze, Silver Plated
Terminals	Brass, Silver Plated

## Ordering Information

1. Series	CS1110	3.1
	CS1110	
	CS1110A with grounding pin	
2. Actuator Length "L" mm		
	2.0	
	2.3	
	2.5	
	3.1	

## Dimensions



## Schematic & PC Layout

