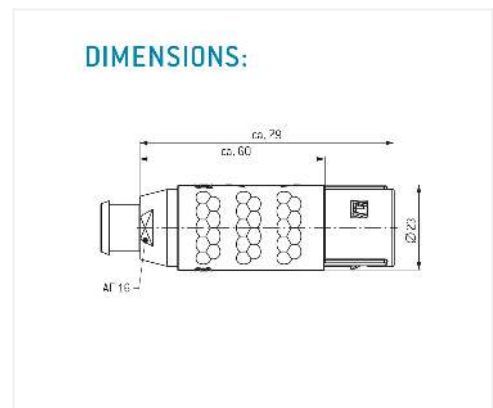
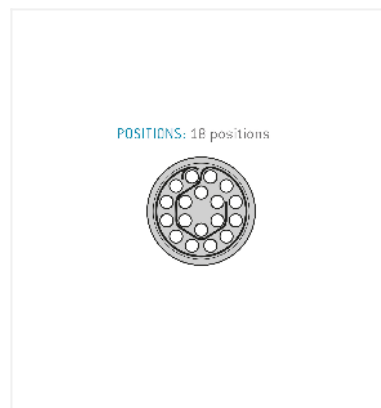
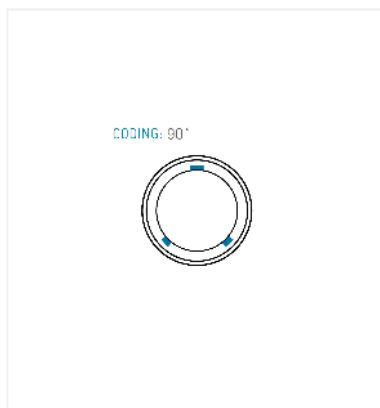


**General information**

Part number	SXBMFG-P18MJH0-0002
Termination	solder
Size	3,5
Locking principle	push
Coding	f_key_medi
Cable Diameter	cable_medi_02
Cable outlet	bend_relief



**Contact insert description**

Number of contacts	18
Contact type	pins
Contact diameter	09mm
Insulator material	peek
Wire cross section	20_awg
Termination	solder
Termination diameter	11mm

**Technical information**

Max. creepage and air clearance distance	07_mm	iec_60601_2mopp_2moop
Nominal current single contact	10_a	iec_60512_5_2
Nominal current insert	5 A	vde_0298_4
Test voltage	1_kv_ac	eia_364_20f

safety\_text  
iec\_60601\_plug

## Mechanical and environmental data

Degree of protection*	ip68
Operating temperature	50_120_c
Mating cycles	5000

mated

## Insulator materials MEDI-SNAP®

pei\_peek\_size\_b

## Material and surface treatments

Housing	pei_gray
Contact	cu_alloy_gold

data\_text

safety\_text\_2

data\_text

ul\_text

illustrative\_text