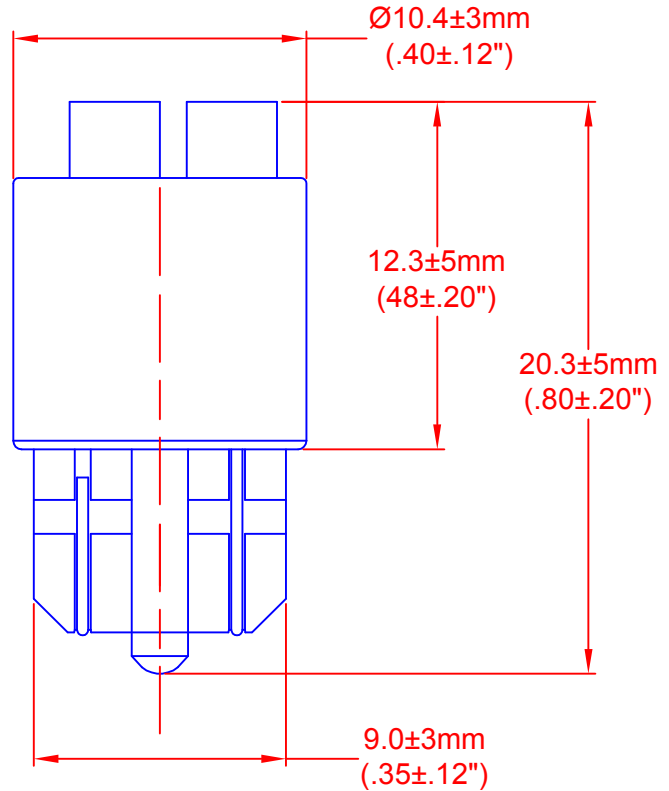
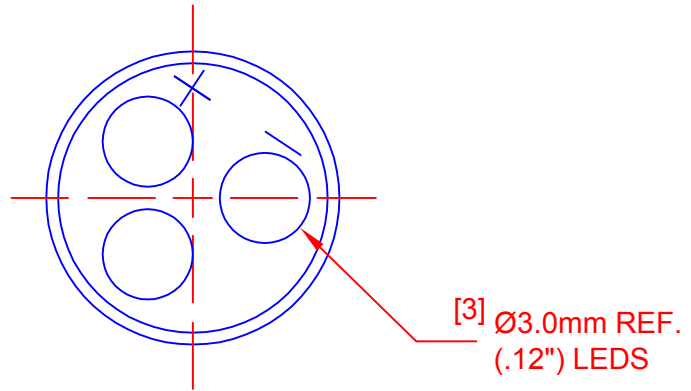


FEATURES:

12V AC/DC OPERATION

WIDE VIEWING ANGLE (120°).



TYPICAL ELECTRICAL & OPTICAL OPERATING CHARACTERISTICS

(Ta = 25 degree C)

PART NUMBER	EMITTING COLOR	AMPERAGE mA	VOLTAGE Vdc	LUMINOUS INTENSITY Lm	CRI %	CCT DEGREE K	VIEWING ANGLE DEGREES
LE-0903-02W	WHITE	15	12.0	22	79	6800	120

JKL PART NO.: LE-0903-02W

METRIC THIRD ANGLE PROJECTION			DIMENSIONS ARE IN MILLIMETERS (INCH) TOLERANCE UNLESS OTHERWISE SPECIFIED 1 PL +/- REF. 2 PL +/- REF. ANGLE +/-			JKL COMPONENTS CORPORATION							
						TITLE T-3 1/4 12V NON-POLARIZED LOW PROFILE WEDGE BASE LAMP							
B CHNG. TITLE AND FEATURES 2/2/15 A CHNG. TITLE AND ADD NOTE 4/24/13 RELEASED 12/1/09			DRAWN BY L. WENGSTROM APPV'D BY L.R. DATE 2/2/15			SIZE A	FSCM NO. 55335	DRAWING NO. LE-0903-02W					
REV. NO. DESCRIPTION/ECO APPV'D DATE			- CAD DRAWING - MANUAL REVISIONS NOT PERMITTED			SCALE NONE	RELEASED DATE 12/1/09	REVISION DATE 2/2/15	REV. NO. B	SHEET 1 OF 1			