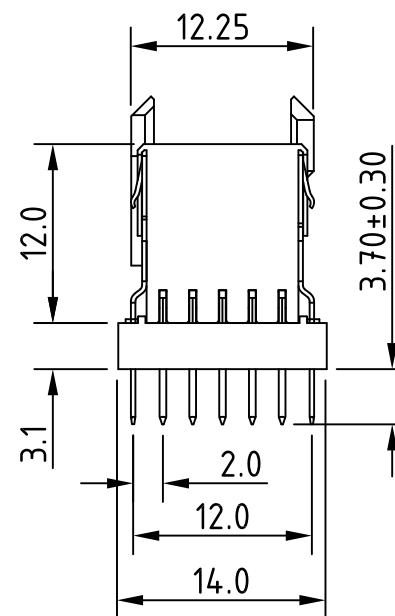
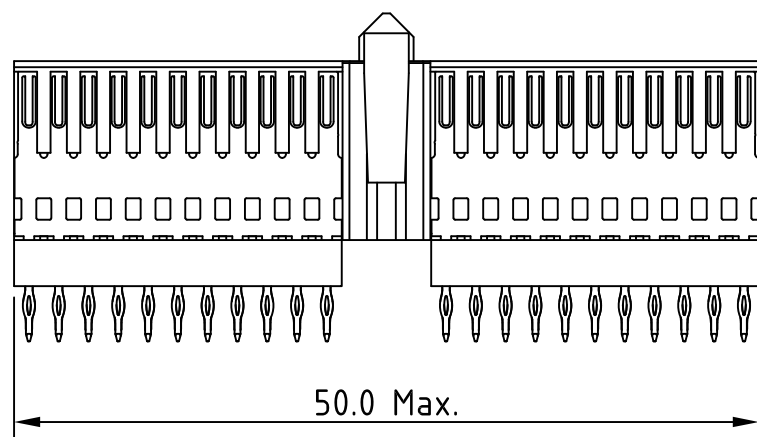


VISUAL POLARISATION
A



LEAD FREE INDICATOR : LF = LEAD FREE
(DIGIT 15 & 16)
PLATING CODE (DIGIT 13 AND 14)
(REFER DWG. NO. BSC,201844,003)

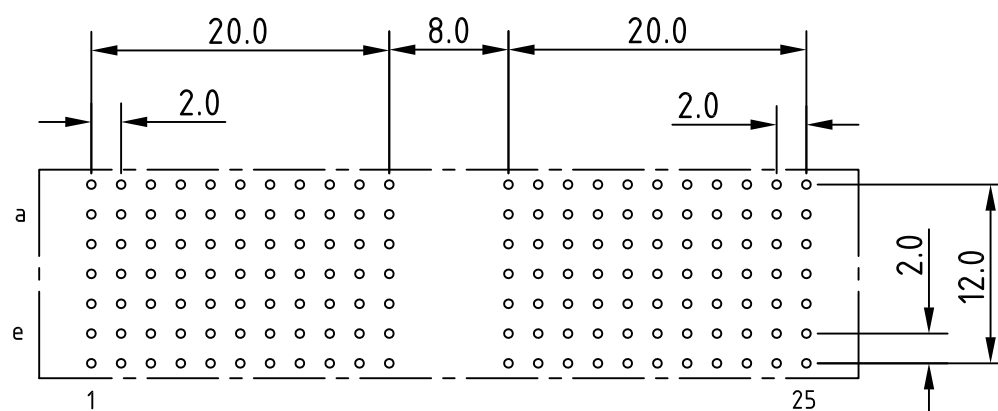
HM2S10PD51M1

NOTES

1. THIS PRODUCT MEETS EUROPEAN UNION DIRECTIVES AND OTHER COUNTRY REGULATIONS AS DESCRIBED IN GS-47-0004
2. FOR RECOMMENDED PTH DIMENSIONS REFER DRAWING : BS, A , 201572 , 001
3. COLUMN 1 OF CONNECTOR SHOULD COINCIDE WITH COLUMN 1 OF PCB

CATALOG NO: HM2S10PD51M1----

LAYOUT PCB HOLE



mat'l. code		surface ISO 1302		tolerance ISO 406 ISO 1101		projection		product family	
		✓				MM		MILLIPACS	
ltr	ecn no	dr	date	tolerances unless otherwise specified				title	
A	-	MINI	2018-10-13	angles	linear			MPACS TYPE A STR RECEPTACLE 18 MM STACK _ SHIELDED	
				0°±1°		scale			
		dr	MINI K VANDANATH	2018-10-13			dwg no		sheet 1 of 1
		enr	C BINESH	2018-10-13			size		A3
		chr	C BINESH	2018-10-13			type		Product Customer Drawing
		appd	BIJU K PAUL	2018-10-13					
sheet index	revision sheet	A	1						