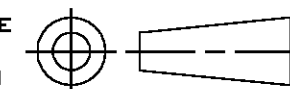


DO NOT SCALE
DIMENSIONS IN mm

METRIC

THIRD ANGLE
PROJECTION



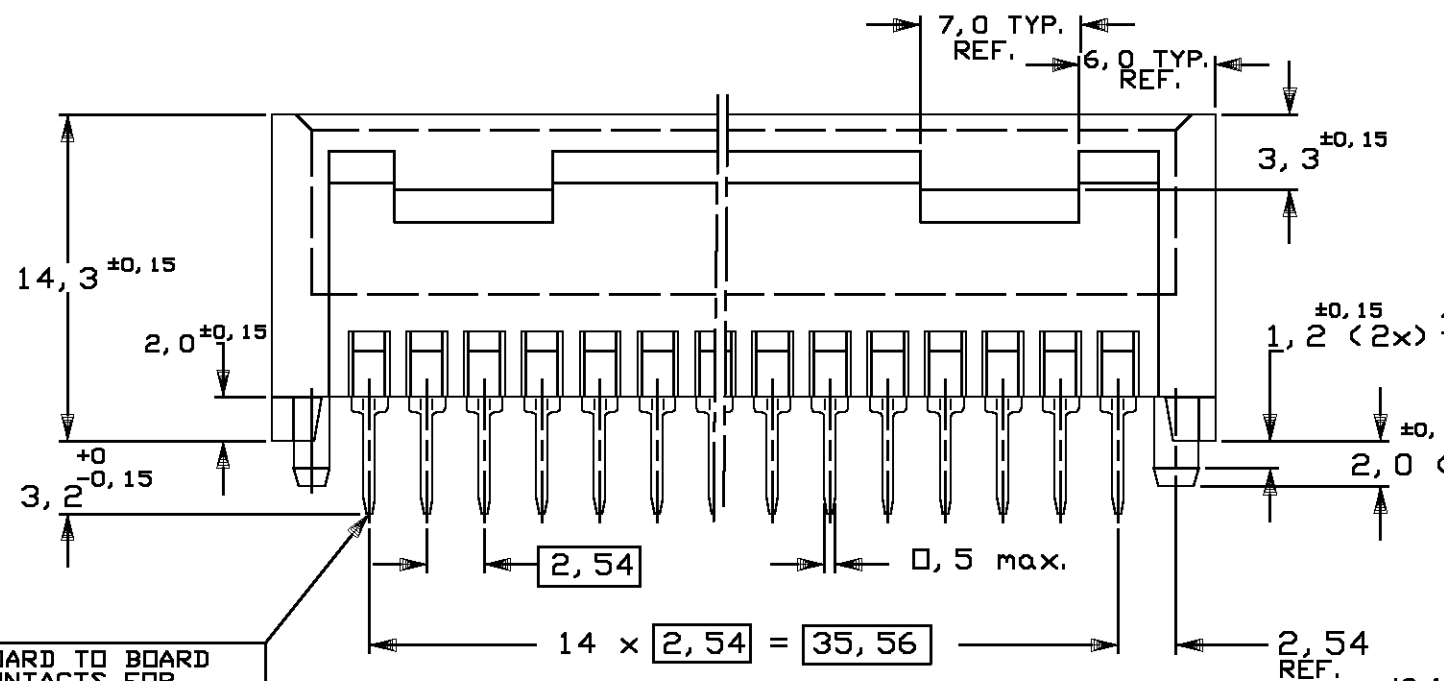
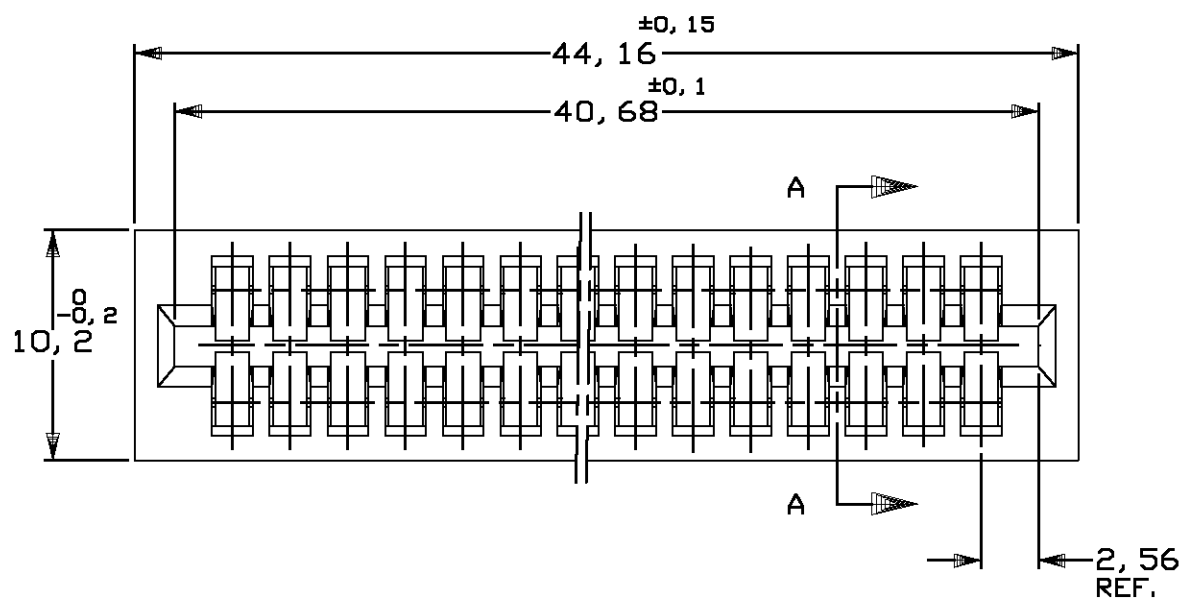
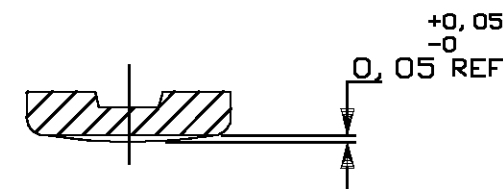
NOTES :

1. PRODUCT SPECIFICATION: 108-19043

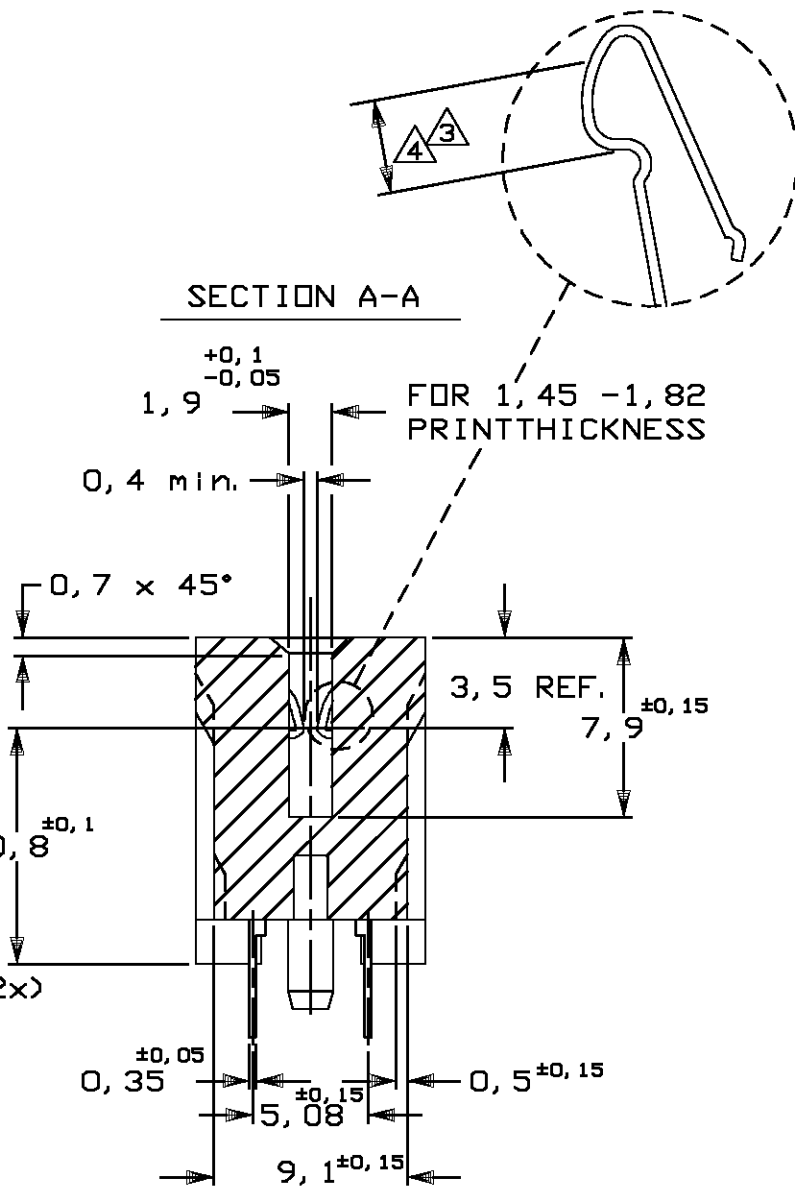
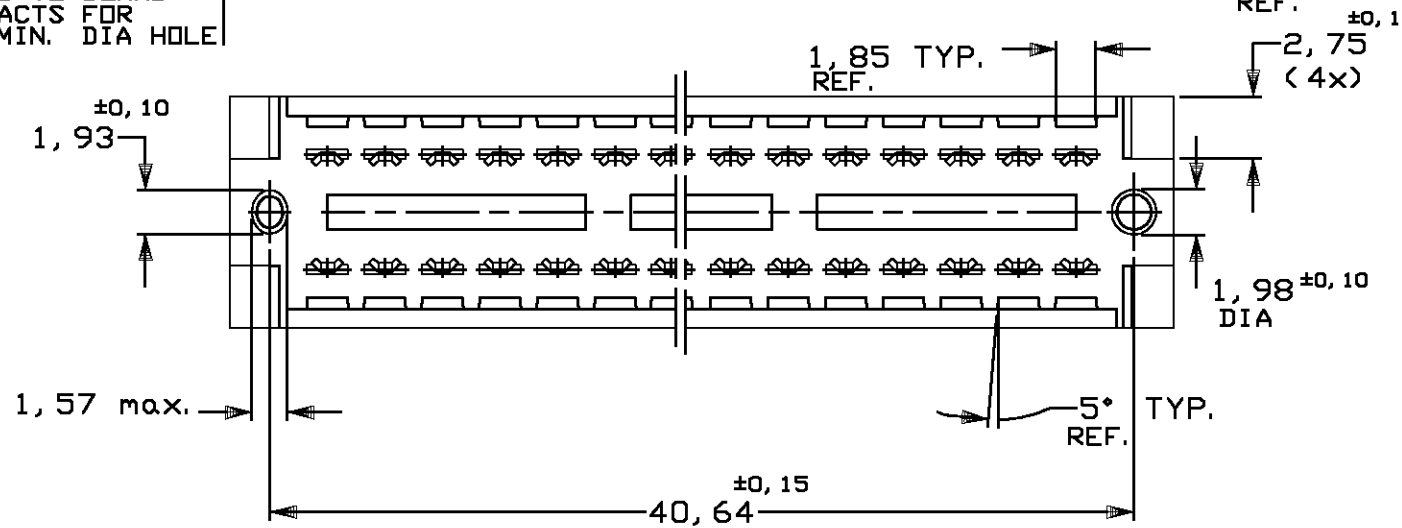
2. PACKAGING: ON PLASTIC TUBES, BOXED

3 CONTACT AREA TO BE LUBRICATED WITH LUBRICATION (ELECTROLUBE 2X) MIN. 110mg/1000 CONTACTS MAX. 200mg/1000 CONTACTS

4 CONTACT SPRING MAY HAVE SPHERICAL SHAPE IN THIS AREA, HOLLOW FORM NOT PERMITTED. SPHERICAL SHAPE DIM. AT CONTACT POINT AS DETAILED.



BOARD TO BOARD CONTACTS FOR 0,8 MIN. DIA HOLE



CONTACT: TOTAL AREA 3,0 µm MIN TIN OVER 1,25 µm MIN NICKEL UNDERLAYER				HOUSING: THERMOPLASTIC POLYESTER 20% GLF UL 94VO COLOUR: BROWN CONTACT: PH. BRONZE H06 (CuSn4)		1-100317-5	
FINISH				MATERIAL		PART NUMBER	
D3	ET00-0047-04	D. C.	C. T.	05MAR2004	CUSTOMER DRAWING		FOR REFERENCE ONLY WILL NOT BE UPDATED
D2	ET00-0147-03	D. C.	C. T.	21AUG2003	C COPYRIGHT 19- BY AMP HOLLAND B. V. ALL INTERNATIONAL RIGHTS RESERVED. AMP PRODUCTS MAY BE COVERED BY U. S. AND FOREIGN AND/OR PATENTS PENDING.		
D1	ET00-0115-03	D. C.	C. T.	04JUL2003	THIS DRAWING IS UNPUBLISHED RELEASED FOR PUBLICATION		
D	ET00-0068-03	P. B	D. C	09-05-03	, 19		
C	H-9473	R. D.	N. S.	24-01-92	 tyco Electronics AMP Italia S.p.A. C.so F.lli Cervi, 15 - Collegno (TO)		
B	H-9302	R. D.	N. S.	19-12-91	NAME		
A	H-9302	J. v. L	N. S.	07-11-91	15 POS. 2,54 CENTRE AMP EDGE CONN. ASS'Y DUAL LOADED WITH B. T. B. CONTACT		
LTR.	REVISION RECORD		DR.	CHK.	DATE		
DR.	S. MEUWSEN.	CHK.	N. SOUISA.	APP.	L. v. SOEST.	DWG. No.	REV. LTR.
DATE:	27 MAR 1991	DATE:	07. 11. 91	DATE:	26. 11. 91	C-100317	D3
							SHEET
							1 OF 1
							SIZE
							A3