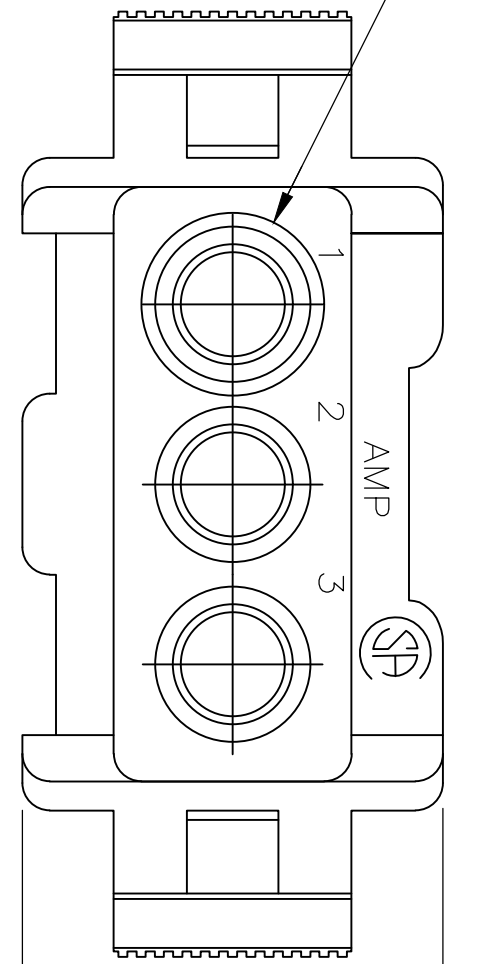


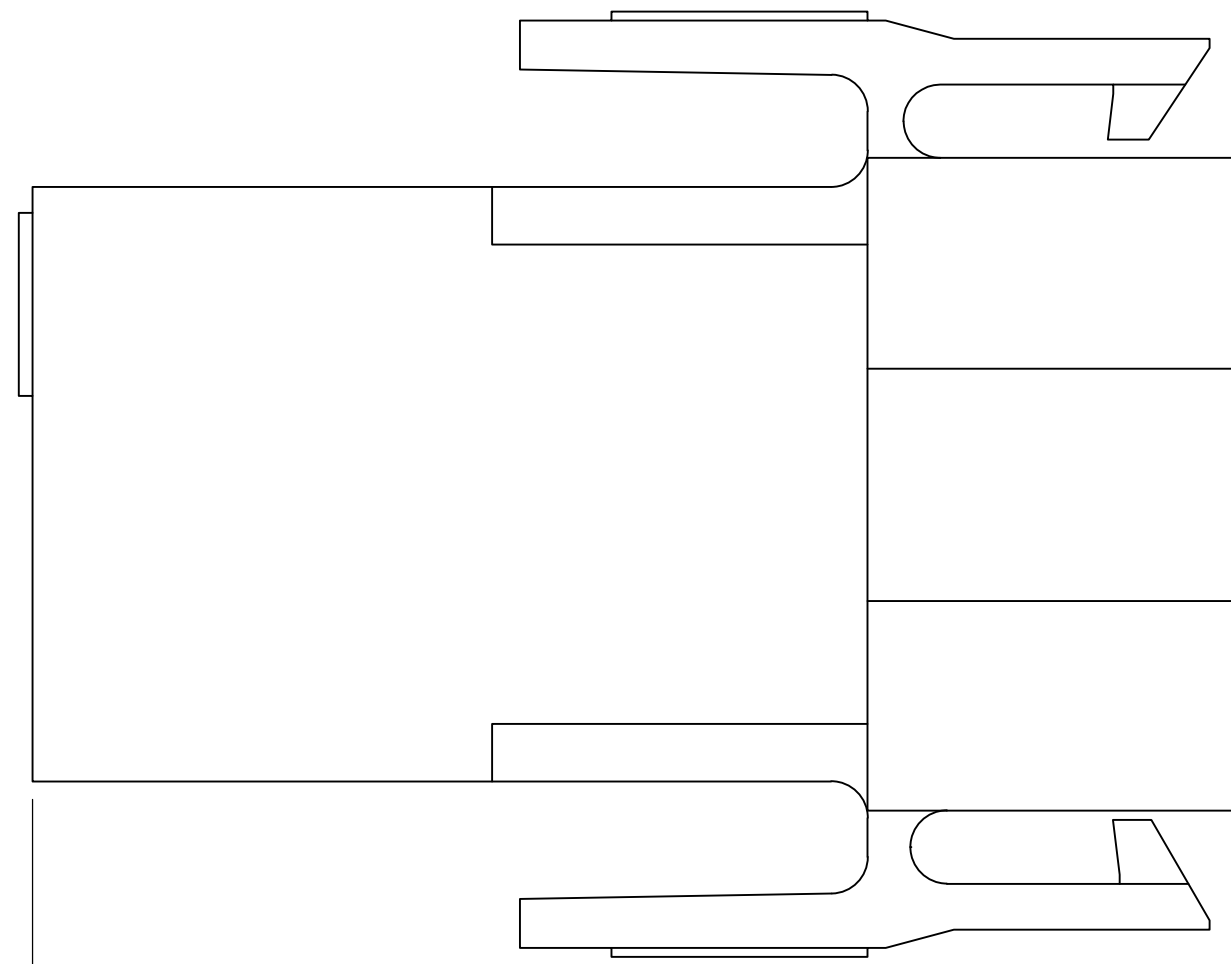
THIS DRAWING IS UNPUBLISHED. RELEASED FOR PUBLICATION
 © COPYRIGHT - By - ALL RIGHTS RESERVED.

| REVISIONS | | | | | |
|-----------|-----|---------------------------|-----------|-----|------|
| P | LTR | DESCRIPTION | DATE | DWN | APVD |
| H | | REVISED PER ECO-20-001558 | 05FEB2020 | SG | MZ |

RAISED CAVITY IDENTIFICATION
ON REAR FACE ONLY.

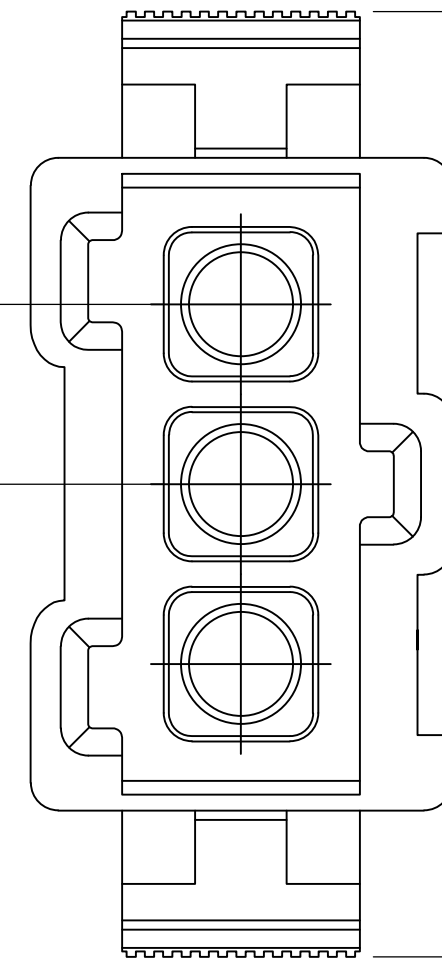


12.32 MAX
[.485]



33.70±0.50
[1.327±.020]

5.00
[.197]
TYP



26.25±0.50
[1.034±.020]

- ① ROUNDED EDGES ON THE OUTSIDE AND CHAMFERS BY THE LOCKING LATCHES, REF 928094.
- ② OBSOLETE PARTS: OBSOLETE CIS STREAMLINING PER D.RENAUD/D.SINISI
- ③ HOUSING MATERIAL: PA66, BLACK, UL 94 V-0 RATED.

② OBSOLETE ① 207359-2-
207359-1

PART
NUMBER

| | | | | | | | | | | | | | | | | | | | | | | | |
|--|-------------|---------------------------------|---|-----------------|----------|---|---|-------|---|-------------|-------|---|---|-------|---|---|--------|---|---|---------------------------|------------|--------------------|------------------------|
| THIS DRAWING IS A CONTROLLED DOCUMENT. | | DWN J.GALLUCI 14 AUG 91 | TE Connectivity | | | | | | | | | | | | | | | | | | | | |
| DIMENSIONS: mm [INCHES] | | CHK J.McCLINTON 23 SEP 91 | | | | | | | | | | | | | | | | | | | | | |
| TOLERANCES UNLESS OTHERWISE SPECIFIED: | | APVD A.TRAVIS 23 SEP 91 | NAME HOUSING, RECEPTACLE, 3 POSITION, IN-LINE, FREE HANGING, METRIMATE | | | | | | | | | | | | | | | | | | | | |
| <table border="1"> <tr><td>0 PLC</td><td>±</td><td>-</td></tr> <tr><td>1 PLC</td><td>±</td><td>-</td></tr> <tr><td>2 PLC</td><td>±</td><td>0.25 [.010]</td></tr> <tr><td>3 PLC</td><td>±</td><td>-</td></tr> <tr><td>4 PLC</td><td>±</td><td>-</td></tr> <tr><td>ANGLES</td><td>±</td><td>-</td></tr> </table> | | 0 PLC | ± | - | 1 PLC | ± | - | 2 PLC | ± | 0.25 [.010] | 3 PLC | ± | - | 4 PLC | ± | - | ANGLES | ± | - | PRODUCT SPEC 108-10033 | SIZE A2 | CAGE CODE 00779 | DRAWING NO C=207359 |
| 0 PLC | ± | - | | | | | | | | | | | | | | | | | | | | | |
| 1 PLC | ± | - | | | | | | | | | | | | | | | | | | | | | |
| 2 PLC | ± | 0.25 [.010] | | | | | | | | | | | | | | | | | | | | | |
| 3 PLC | ± | - | | | | | | | | | | | | | | | | | | | | | |
| 4 PLC | ± | - | | | | | | | | | | | | | | | | | | | | | |
| ANGLES | ± | - | | | | | | | | | | | | | | | | | | | | | |
| MATERIAL ③ | FINISH - | WEIGHT - | SCALE 4:1 | SHEET 1 of 1 | REV H | | | | | | | | | | | | | | | | | | |
| CUSTOMER DRAWING | | | RESTRICTED TO - | | | | | | | | | | | | | | | | | | | | |