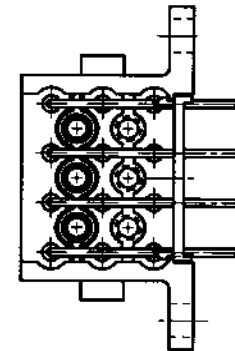
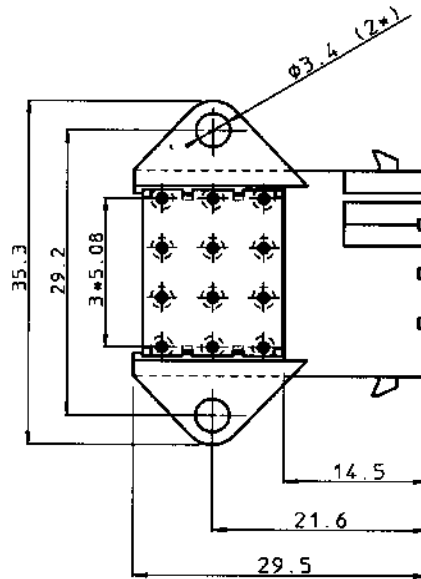
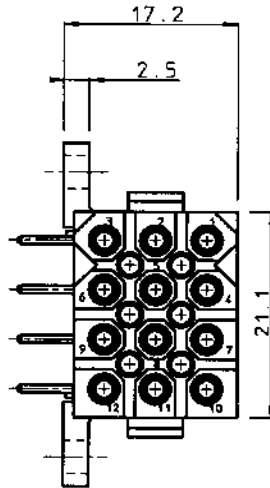
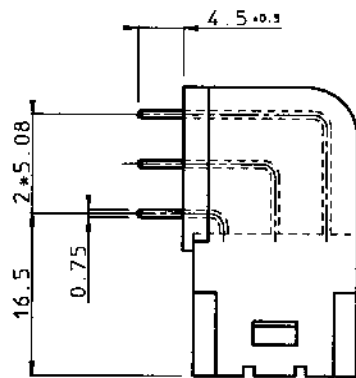
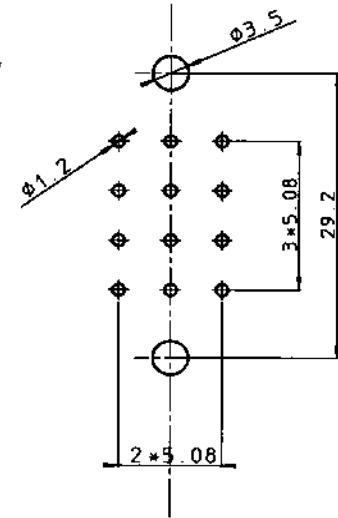


BS.C .200961.010.03

GEN. ST.	01	02	03	04	05	06	07	08	0D	50	60	70	80	90	REV.	DATE	DESCRIPTION	BY	C'K'D'																	
INT. ST.	10	11	12	13	14	18	20	31	32	33	34	38	39	40	42	43	44	45	46	48	56	70	72	73	75	76	81	82	83	84	88	01	21.09.89	ALIGNMENT PLATE LAYOUT CHANGED	E.C.	
															02	17-1-92	DISCRIMINATION HOLES ADDED	M.B.																		



RECOMMENDED P.C. BOARD HOLE LAYOUT



MATERIAL :

BODY : POLYESTER 30% GLASSFILLED , UL94V-0, COLOUR : BLACK
CONTACTS : BRASS, GOLD OR TIN PLATED

PERFORMANCE CHARACTERISTICS :

OPERATING TEMPERATURE : -55°C TO 125°C
INSULATING RESISTANCE : 5000 MΩ MIN.
TEST POTENTIAL : 2000 VAC
CURRENT RATING : 5 AMP

NOTES :

- CONNECTOR SUPPLIED FULLY LOADED WITH MACHINED FEMALE CONTACTS.
GOLD PLATED : SMS12GE5 , GOLD FLASH : SMS12GESJ , TIN PLATED : SMS12GE5T
- MATING PART SMS12P1 PLUG
- PC-BOARD THICKNESS : 3.2 MM

1DEC ±0.2 1DEC 2DEC ±0.1 2DEC ANGLES ±1° HOEKEN	APPR. DRAFT CHECKED	DATE 29.03.89	SIGN. E. CREELLE	Q1KIMATE R. ANGLED RECEPTACLE 12MALE MACH. CONTACTS
WE RESERVE THE RIGHT TO CHANGE DIMENSIONS OR REQUIREMENTS WITHOUT PRIOR NOTICE	PROD. MGR. PR. ENG. MGR. PR. MGT. MGR.			CAT. No. SMS12GE5*
ALL DIMENSIONS IN MM	REFERENCES / REFERENTIES			SOURIAU Route Nationale 23 72470 CHAMPAGNE
ALLE AFMETINGEN IN MM				SCALE 2/1
				BS.C .200961.010.03 DRAWING No. CUSTOMER DRAWING

THIS IS OUR EXCLUSIVE PROPERTY. IT IS NOT TO BE COPIED, REPRINTED OR DISCLOSED TO A THIRD PARTY. USE ONLY FOR MANUFACTURING WITHOUT OUR WRITTEN CONSENT. AND HAS TO BE RETURNED TO US IN CASE OF NO USAGE

DIT IS ONZE EIGENDOM EN MAG GOED HANDELD, HERKENT, OVERNEMEN EN OVERGEEN, ZONDER ONZE VERBODENDE TOESTEMMING. GEEN GEEN AFSCHRIJVEN, VERBODEN. DIT RIET VERBODEN IS TOEGESCHRIJVEN.