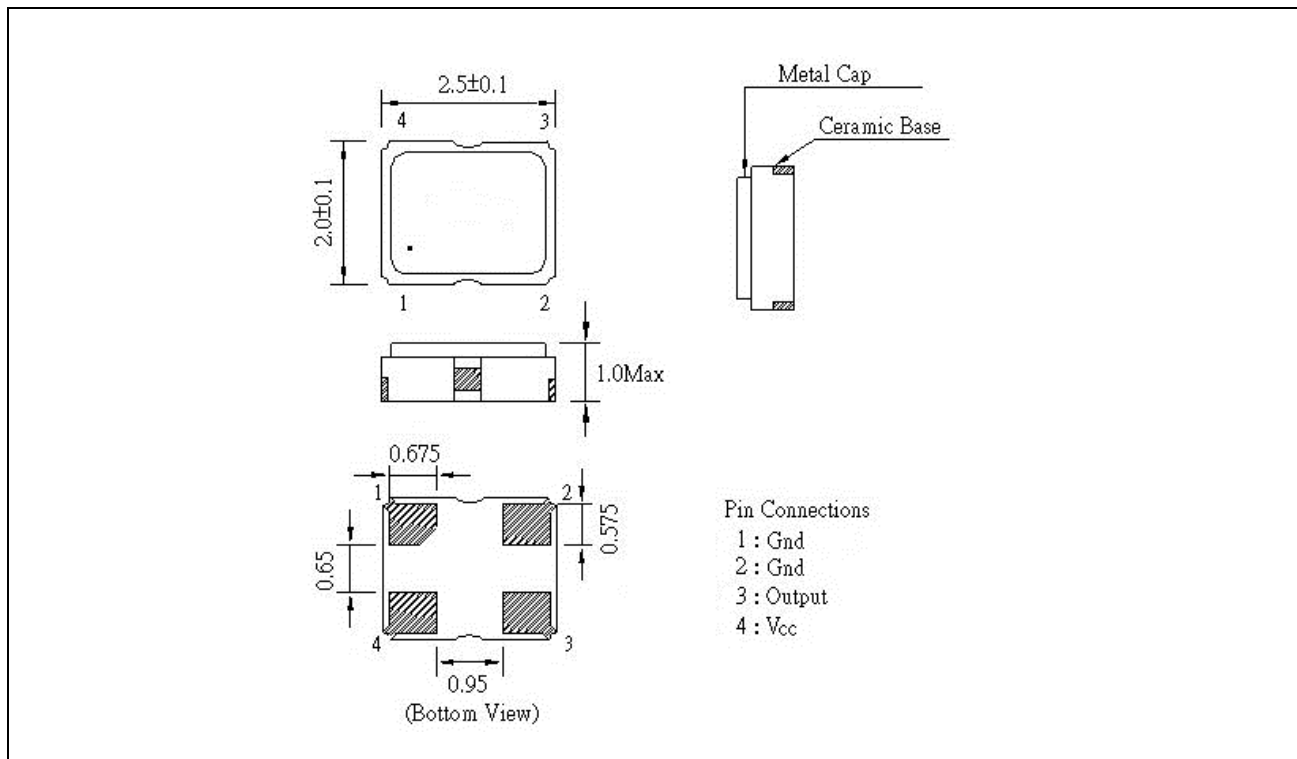


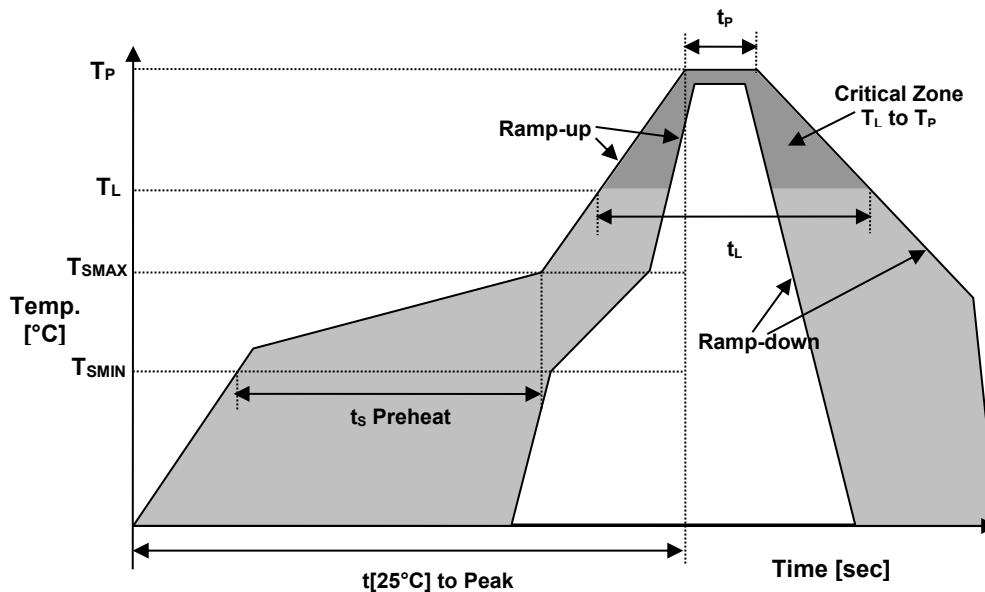
#### ELECTRICAL SPECIFICATION

PARAMETER	SYMBOL	CONDITIONS	VALUE	UNIT
Nominal Frequency	$f_0$	$V_{CC} \pm 5\%$	10.000	MHz
Supply Voltage, nom.	$V_{CC}$	$V_{CC} \pm 10\%$	1.8 ~ 3.3	VDC
Supply Current, max	$I_s$	$V_{CC} \pm 5\%$	2	mA
Operating Temperature Range	$T_a$		-30 ~ +85	°C
Storage Temperature Range	$T(stg)$	Absolute max	-40 ~ +85	°C
Frequency Stability vs. Temperature	$\Delta f/f_0(T_a)$	Reference to $+25^\circ\text{C} \pm 2^\circ\text{C}$ (-30 ~ +85°C)	$\pm 0.5$	ppm
Frequency Stability				
vs. Supply Voltage	$\Delta f/f_V$	$V_{CC} \pm 5\%$	$\pm 0.2$	ppm
vs. Load	$\Delta f/f_L$	Load $\pm 10\%$	$\pm 0.2$	ppm
vs. Aging max	$\Delta f/f_0(\text{year})$	Per Year at $+25^\circ\text{C} \pm 2^\circ\text{C}$	$\pm 1.0$	ppm
Initial Frequency Calibration, max		Measured at $25^\circ\text{C}$ , after 2 reflows	$\pm 2.0$	ppm
Output Level, Clipped Sine Wave		10k $\Omega$ // 10 pF $\pm 10\%$	0.8	V <sub>P-P</sub>

#### MECHANICAL SPECIFICATION



#### REFLOW PROFILE



Reflow profile		
Temperature Min Preheat	$T_{SMIN}$	150°C
Temperature Max Preheat	$T_{SMAX}$	200°C
Time ( $T_{SMIN}$ to $T_{SMAX}$ )	$t_s$	60-180 sec.
Temperature	$T_L$	217°C
Peak Temperature	$T_P$	260°C
Ramp-up rate	$R_{UP}$	3°C/sec max.
Ramp-down rate	$R_{DOWN}$	6°C/sec max.
Time within 5°C of Peak Temperature	$t_p$	10 sec.
Time $t_{[25^\circ\text{C}] \text{ to Peak Temperature}}$	$t_{[25^\circ\text{C}] \text{ to Peak}}$	480 sec.
Time	$t_L$	60-150 sec.

#### ENVIRONMENTAL

PARAMETER	VALUE
MOISTURE SENSITIVITY LEVEL	1
REACH	Compliant
RoHS	Compliant
TERMINATION FINISH	Au





A RAMI TECHNOLOGY Company

TCXO

RTX-2520AF3F-S-10.000-TR

Page 3 of 3

MARKING

Rx10.0
•AFFyw

x - Internal Production ID code
y - Year code
w - Week code

YEAR CODE table with columns Year and Code, mapping years 2011-2019 to codes 1-9.

ALPHA WEEK CODE TABLE with columns Week and Code, mapping weeks 1-52 to letters a-z and A-Z.

APPROVALS

Approval table with fields: RALTRON, Created by, date: AR, January 28, 2019; Eng. approval, date: CP, January 28, 2019; Revision: A

Raltron Electronics / RAMI Technology USA, LLC, including its affiliates, employees, agents and other persons acting on its behalf (collectively Raltron/RAMI Tech), disclaim any and all liability for any errors or inaccuracies contained in this data sheet.

Copyright © 2016, Raltron Electronics / RAMI Technology USA, LLC. All rights reserved. No part of this document may be reproduced in any form without the prior written permission of Raltron Electronics / RAMI Technology USA, LLC.