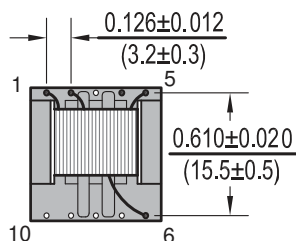
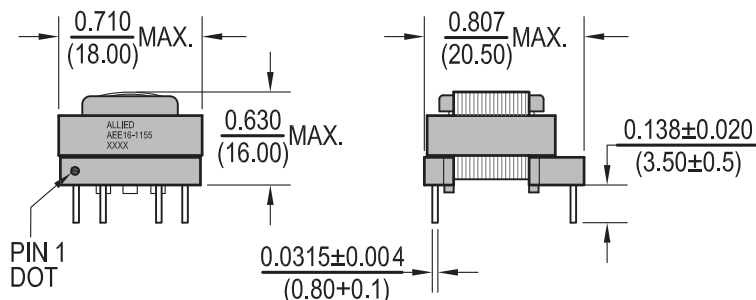
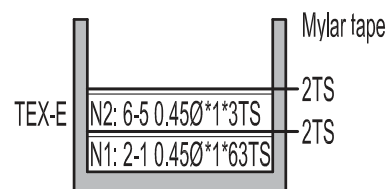
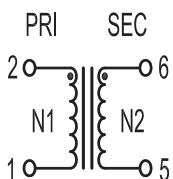


## AEE16-1155

## High Frequency Transformer



Pins 3, 8, 9,10 Removed



### ELECTRICAL SPECIFICATIONS:

INDUCTANCE: 100KHz/0.1V (HP-4284A)  
2 - 1: 235 $\mu$ H  $\pm$  10%

TURNS RATIO: 21:1

LEAKAGE INDUCTANCE: 100KHz/0.1V (HP-4284A)  
2 - 1: 50 $\mu$ H MAX (SHORT 6-5)

DCR: (CH-502A AT 25°C)  
2 - 1: 0.33 OHM MAX  
6 - 5: 24 mOHM MAX

HI-POT TEST:

PRI TO SEC : AC 3000V 3mA FOR 1 SEC  
CORE TO COIL : AC 1000V 3mA FOR 1 SEC

INSULATION TEST:

PRI TO SEC & COIL TO CORE : 100 mOHM MIN BY DC 500V

OPERATING TEMPERATURE: -40°C TO 130°C